

TROUBLESHOOTING

Warning: Unplug the power cord to ensure safety.

- 1) This blender is fitted with a safety overload switch at the bottom of the machine. If the motor overloads, the power will be automatically cut to ensure safety. Please check and remove unsuitable blending ingredients, then press the reset button (on the bottom) to start again.
- 2) Ensure that the power cord is correctly connected to the blender.
- 3) If the blender still does not function correctly, contact and consult your nearest distributor and refer to the warranty card. Do not attempt to disassemble and repair it on your own.
- 4) If the power cord is damaged, it must be replaced or repaired by a qualified electrician or engineer to avoid hazard.
- 5) After long-term use, the cutting unit will wear down and require replacement. Contact your store of purchase, nearest distributor, or one of our after-service centers. **Warning: Blades are sharp, handle carefully.**

IMPORTANT SAFEGUARDS

Read all instructions

- To protect against risk of electrical shock, do not place blender base or power supply cord in water or in any other liquid.
- Close supervision is necessary when the appliance is used by or near children.
- Unplug from outlet prior to assembling or cleaning the appliance.
- Avoid touching moving parts.
- Do not operate the appliance with a damaged cord or plug, or after the appliance malfunctions or is dropped or damaged in any manner.
- Return appliance to nearest authorized service facility for examination, repair, or electrical or mechanical adjustment.
- Do not use outdoors. This appliance is for indoor use only.
- Do not let cord hang over the edge of the table or counter.
- Keep hands and utensils out of the jug while operating to reduce risk of severe injury or damage. A scraper may be used only when the blender is OFF.
- Blades are sharp. Handle carefully.
- To reduce risk of injury, never place cutting blade assembly on base without ensuring the jug is properly attached; never remove the jug during operation.
- Only operate the blender with the lid in place.
- The manufacturer does not recommend use of attachments, including canning jugs, because these may cause injury.
- Jug should not be more than 2/3 full when blending or when mixing rod is left in place. Mixing rod (tamper tool) must ONLY be used through the hole in the lid when blender is in operation.
- Over-processing will cause the mixture to overheat.
- Ensure the blender on a flat, level, stable and dry surface prior to operation.
- Always ensure that the jug is properly seated in position and the jug lid is properly fitted and secured before switching on the blender.
- When blending hot liquids: remove center piece (LID INSERT) of two-piece cover to allow steam to escape. Always start the motor on lowest speed setting and increase if necessary.
- Ensure that the lid is located under raised projections on the jug before switching on. The lid can only be removed when the blender is OFF and the cutting unit has ceased turning.
- Never leave the blender unattended when in use.

SAVE THESE INSTRUCTIONS

JTC 
OmniBlend I

MODEL: TM-767

**USER'S
MANUAL**

**HEAVY DUTY
PROFESSIONAL
BLENDER**

POWER

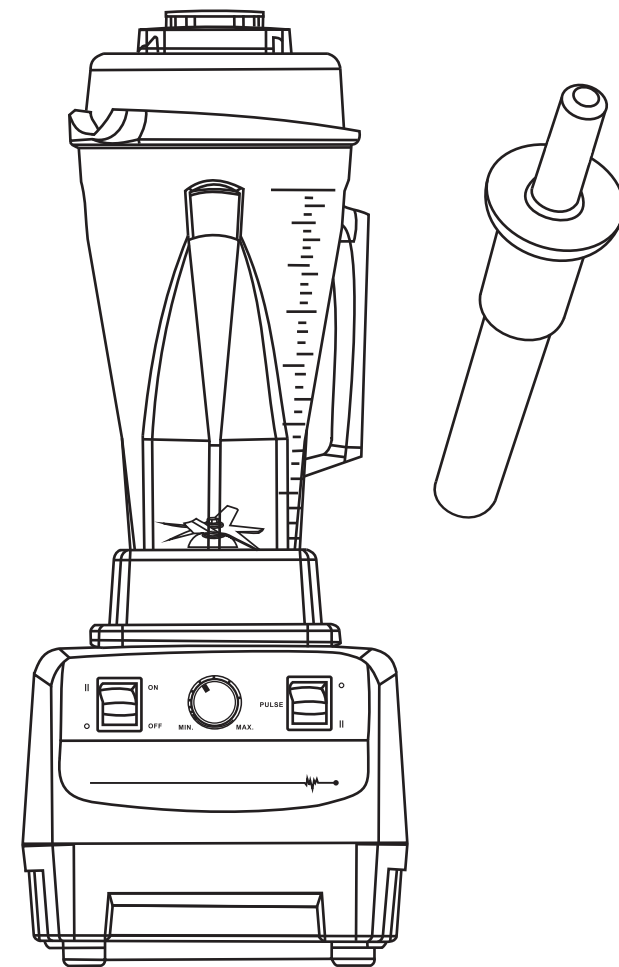
Quickly purées
and blends even the
toughest ingredients

DURABILITY

Rugged construction
designed to outlast
other blenders 5 to 1

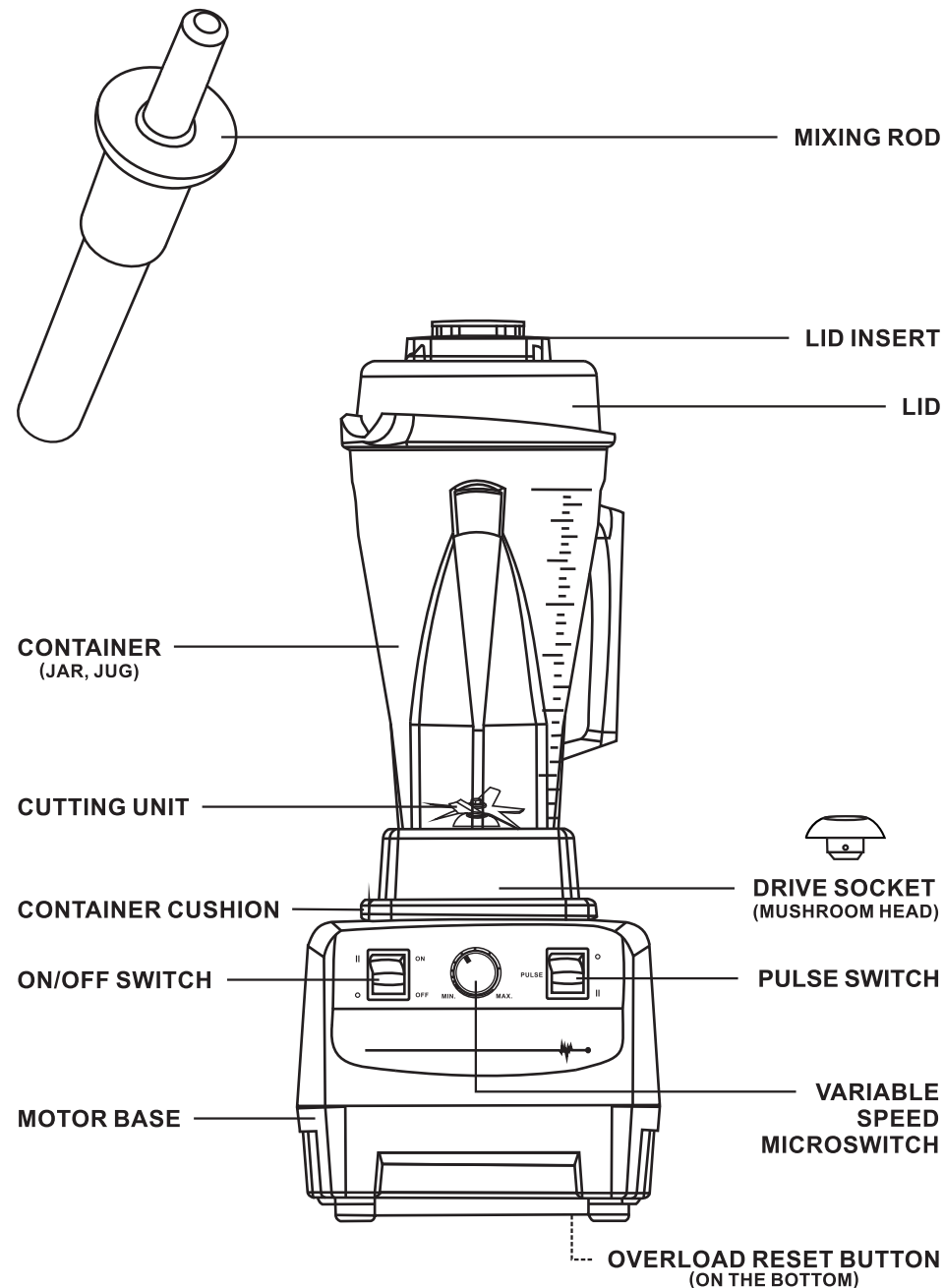
VERSATILITY

Speed control allows
you to purée, blend,
chop or grind




E ENGLISH

PARTS & FUNCTIONS



QUICK GUIDE

| | | | |
|---|--------------------------------|---|--|
| 1 | ON/OFF Switch | ↑ ↓ | Up for ON; Down for OFF. |
| 2 | The Variable Speed Microswitch |  | Allows the user to vary motor speed smoothly within the specified operating range. Turn the switch clockwise all the way until it stops to reach the highest motor speed, best efficiency and most desirable blending results. |
| 3 | PULSE Switch | ↓ | The fastest speed available when depressing the switch and holding down as long as needed. |

OPERATING INSTRUCTIONS

1. Operate blender on a flat, clean, and dry surface.
2. Never operate the blender when the jug is empty.
3. Do not attempt to remove or replace the jug while the motor is running.
4. Never run motor while jug is not in place.
5. Wipe water off of the cushion before operation, Any water present could be pulled in and will cause damage to the motor!
6. Make sure the drive shaft on the jug is fully engaged into the drive socket and that the blade is firmly affixed to the drive shaft.
7. This blender is a high-speed unit. Blending times are much faster than those of other blenders, but extended use will heat up the contents of the blender.
8. Adjust the speed for blending different hardness of foods from variable-speed microswitch.
9. Always add some liquid to crush ice cubes.

CLEANING

Warning: Unplug the power cord to ensure safety.

1. Place a little warm water with a small amount of detergent into the jug. Attach lid and switch blender on for approximately 10 seconds. This will remove almost all residue. Empty jug, rinse, and leave upturned to dry. Do not clean inside of jug by hand unless cutting unit has been removed.
2. To remove or replace blade assembly, simply turn the retaining ring at the bottom of the jug counter-clockwise.
3. To clean motor base, use a slightly damp cloth only. Never immerse motor base in water.
4. To extend the lifespan of the cutting unit, please do not immerse the jug in water or leave water in the jug for a long period of time. Following this precaution will help to prevent rusting of the ball bearing by reducing its potential contact with water to a minimum.