



**ELITE**

Juice Extractor / Extracteur de Jus / Saftpresse / Extractor de zumo

**OPERATION MANUAL/ MODE D'EMPLOI/  
BEDIENUNGSANLEITUNG/ MANUAL DE INSTRUCCIONES**

**SAVE THIS MANUAL**  
KEEP IT HANDY  
FOR QUICK  
REFERENCE AND  
PROPER CARE

**CONSERVEZ CE  
MODE D'EMPLOI**  
GARDEZ-LE À  
PORTÉE DE MAIN  
POUR POUVOIR Y  
FAIRE RÉFÉRENCE  
ET PROCÉDER À  
L'ENTRETIEN

**BEWAHREN SIE DIESE  
BEDIENUNGSANLEITUNG  
AUF**  
HALTEN SIE SIE  
GRIFFBEREIT ZUM  
NACHSCHLAGEN  
UND FÜR  
PFLEGEHINWEISE

**GUARDE ESTE MANUAL**  
PARA CONSULTARLO  
CUANDO LO NECESITE



**TRIBEST**  
making healthy living easy



# LANGUAGES

- English.....4
- Français.....22
- Deutsch.....42
- Español.....60

# WELCOME

Congratulations! You are now the proud owner of a Greenstar Elite Juice Extractor – the next generation of the revolutionary Greenstar Juice Extractor. With the Greenstar Elite, you can juice a wider variety of fruits and vegetables – from carrots and apples, to wheatgrass and pine needles, all without having to stop and change any parts! You can also use your Greenstar Elite Juice Extractor to make other delicious foods, such as, baby foods, breadsticks, nut butters, pâtés, frozen fruit sorbets, and much more!

The Greenstar Elite Juice Extractor unleashes the very best nutrition that nature has to offer, utilizing advanced Jumbo Twin Gears to get the most out of all your fruits and vegetables. The unique shape of Greenstar Elite's Jumbo Twin Gears extracts more juice and performs better than other Twin Gear juicers. The new twin gears are coupled with other design improvements that make Greenstar Elite easier to set up, easier to use, and easier to clean than ever before.

The Jumbo Twin Gears are an advanced impeller press system that rotates at a low 110 rpm and generates minimal heat while juicing. The Greenstar Elite also has magnetic and bioceramic technology embedded in the Jumbo Twin Gears that produces fresher juice that can be stored longer, with minimal loss of the precious enzyme and vitamin content in the juice. The magnetic and bioceramic technology contained within the Jumbo Twin Gears helps stabilize your fresh juices, allowing for longer storage times with less enzyme and nutrient loss.

Be sure to carefully unpack your Greenstar Elite and check that all of the parts are included. Also take the time to become familiar with your new juicer before you start juicing. It is a good idea to disassemble and reassemble your machine a few times to become familiar with how all of the parts fit together properly. Many parts have been included as standard parts to make your juicing experience easier and to enhance the versatility of the food preparation capabilities.

We recommend that you wash all of the parts with warm water and a mild detergent before you start using your Greenstar Elite Juice Extractor. Once all parts are cleaned, you are ready to begin juicing with your Greenstar Elite Juicer. We hope you enjoy your Greenstar experience, you embark on your journey to better nutrition and better health.

Please take the time to read through the entire operation manual for proper use and care of the machine. Following the instructions in this manual will ensure that your Greenstar Elite Juice Extractor operates properly for many years to come.

# TABLE OF CONTENTS

EN

• <b>Welcome</b> .....	4
• <b>Important Safeguard</b> .....	6
• <b>Important Safety Precautions</b> .....	7
• <b>Greenstar Elite Juice Extractor Parts</b> .....	8
A. Juicer Diagram	
B. Standard Parts	
• <b>Setting Up Your Greenstar Elite</b> .....	10
A. Assembly	
B. Disassembly	
C. Using the Screens	
D. Using the Knobs	
E. Using the Plungers	
F. Using the Drip Tray	
• <b>Using Your Greenstar Elite</b> .....	14
A. Making Juices	
B. Homogenizing: Making Pâtés and Basic Food Processing	
C. Making Raw Breadsticks, Mochi, Frozen Fruit Sorbets, etc.	
D. Making Pasta (GSE-5300 Model Only)	
• <b>Cleaning and Maintenance</b> .....	18
A. Cleaning Your Greenstar Elite	
B. Helpful Hints for Easy Cleaning	
• <b>Troubleshooting</b> .....	20
A. Noises	
B. Movements	
C. Symptoms and Solutions	
• <b>Product Information</b> .....	21

# IMPORTANT SAFEGUARD

When using electrical appliances, basic safety precautions should always be followed including the following:

1. Read all instructions carefully before operating.
2. To protect against risk of electric shock, do not put the Main Body in water or any other liquid.
3. Only use an approved power cord included with your machine or supplied by the manufacturer.
4. Only plug the machine into an electrical outlet that has a compatible electricity rating as your machine. Failure to do so will damage the motor and void the warranty.
5. Close supervision is necessary when any appliance is used near children.
6. Unplug the appliance from the electrical outlet when not in use, before assembling or disassembling and before cleaning.
7. Always make sure that all juicing parts are properly fastened before the motor is turned on.
8. While the machine is in operation:
  - Do not touch moving parts.
  - Do not attempt to disassemble it.
9. NEVER put your fingers or other foreign objects such as spoons, knives, or any other kitchen utensils into the feeding chute or any juicer openings while it is in operation. If food becomes lodged in the feeding chute, use one of the enclosed plungers to push it down. If this does not work, turn the motor off, unplug the machine, and disassemble the juicer to remove the remaining food.
10. Be sure to turn the switch to the "OFF" position after each use. Make sure the motor stops completely and unplug the machine before disassembling.
11. Do not disassemble any parts other than those necessary for normal operation or cleaning of your juice extractor (such as housing, twin gears, screen). Opening the Main Body will void your warranty.
12. Do not operate your Greenstar Elite and have it serviced by a certified technician for examination and possible repair to prevent electrical shock or injury if:
  - It has a damaged cord or plug
  - It malfunctions
  - It is dropped or is damaged in any manner
13. Using attachments or accessories not recommended by the manufacturer may cause fire, electrical shock, or injury.
14. Your Greenstar Elite must be electrically grounded for proper and safe operation. Use only the power cord and plug provided and plug into a properly grounded electrical outlet. Do not attempt to force the plug into your wall socket as this may cause fire, electrical shock, or injury.
15. Do not use the power cord as a handle and never yank or pull on the cord to remove the plug from the electrical outlet.
16. Do not let the cord hang over the edge of a table or counter or come in contact with any hot surfaces such as the stove.
17. For indoor household use only.
18. Please refer to "When You Need Service" in case your juicer is functioning abnormally.
19. Do not use the appliance for other than its intended use.

**SAVE THESE INSTRUCTIONS**

## IMPORTANT SAFETY PRECAUTIONS

### Do

- **Very important!** When combining the Twin Gears for assembly, make sure to align the locating dots marked on the surface of the gears.
- **10 minutes of rest after 30 minutes of operation!** When operating your Greenstar Elite Juice Extractor continuously, stop operation for 10 minutes after each 30 minutes of continuous use, and then resume operation.
- Always put the Safety Hood over the feeding chute before using. The machine will not operate without the Safety Hood in place.



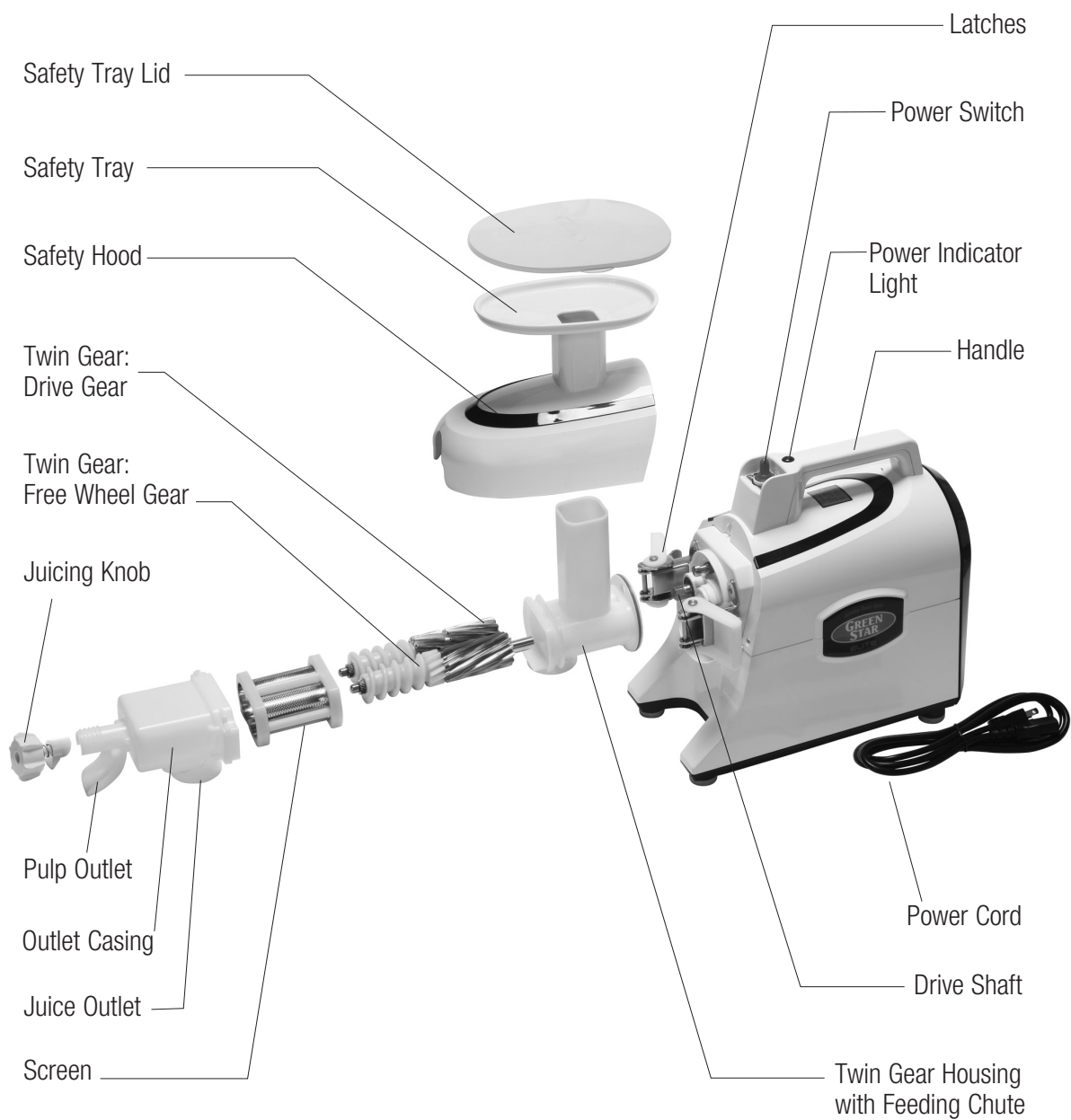
### Don't

- Do not lift your Greenstar Elite Juice Extractor with wet hands because it is heavy and it may accidentally slip from your grip.
- Do not assemble or disassemble while the power cord is plugged into an outlet.
- Do not put fingers or hands into the Feeding Chute. Always use the Plunger.
- Do not disconnect the power plug from the electrical outlet with wet hands.
- Do not keep the juice extractor where children can reach it.
- Do not operate Greenstar Juice Extractor on an unstable surface.
- Do not put any articles such as knives, spoons, or forks into the Feeding Chute.
- Do not forcibly operate the juice extractor or overload the Feeding Chute.

**WARNING:** NEVER REMOVE THE SAFETY HOOD WHILE THE MACHINE IS IN OPERATION.

# GREENSTAR ELITE JUICE EXTRACTOR PARTS

## Juicer Diagram





## Standard Parts

Make sure to unpack your Greenstar Elite and make sure that all parts are there. If any parts are missing, please call your nearest authorized service center immediately. It's a good idea to disassemble and assemble the machine a few times to familiarize yourself with the machine before juicing.



- |                                            |                        |                                             |
|--------------------------------------------|------------------------|---------------------------------------------|
| 1. Juicing Knob                            | 8. Jumbo Twin Gear Set | 16. Strainer                                |
| 2. Breadstick Knob                         | 8a. Drive Gear         | 17. Flat Cleaning Brush                     |
| 3. Soft Fruit Knob<br>(Optional Accessory) | 8b. Free Wheel Gear    | 18. Cleaning Brush                          |
| 4. Fine Screen                             | 9. Twin Gear Housing   | 19. Power Cord                              |
| 5. Coarse Screen                           | 10. Safety Tray Lid    | 20. Pasta Maker Set<br>(Optional Accessory) |
| 6. Homogenizing Screen<br>(Open Screen)    | 11. Outlet Casing      | 20a. Pasta Screen                           |
| 7. Breadstick Screen<br>(Closed Screen)    | 12. Drip Tray          | 20b. Pasta Screw                            |
|                                            | 13. Juice Pitcher      | 20c. Pasta Guide                            |
|                                            | 14. Plastic Plunger    | 21. Safety Hood                             |
|                                            | 15. Wooden Plunger     | 22. Main Body                               |

# SETTING UP YOUR GREENSTAR ELITE

## A. Assembly

**IMPORTANT:** Make sure your Greenstar Elite is unplugged from the electrical outlet before assembly.



**1.** Slide the **Twin Gear Housing** onto the Main Body and push it all the way back onto the Main Body until it fits snugly in place.

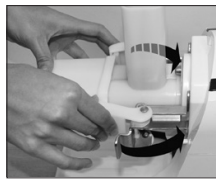


**4.** Slide the **Outlet Casing** over the screen.

**2. VERY IMPORTANT!** Assemble the **Twin Gears** as follows:



- Find the **Locating Dots** marked on the end surface of each gear.
- Position the Locating Dots so that the single dot on the **Free Wheel Gear** is in between the two dots on the **Drive Gear**.
- Holding the gears in this position, slide them into the **Twin Gear Housing**, steel end first, so that the Free Wheel Gear enters the right slot, and the Drive Gear enters the left slot. Push back until they come to a stop.



**5.** Close each **Latch** over the ears of the Outlet Casing and snap the latches shut by pushing back on the metal tabs.

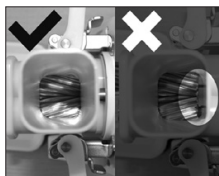
**Failure to properly seat the Twin Gears will prevent the latches from shutting properly. If this is the case, remove the Outlet Casing and screen; rotate the gears while pushing them in until they slide in completely and lock into position; and reassemble. Damage to the machine due to improper assembly is not covered under your warranty.**



- Rotate the gears while pushing them in until they slide in completely and lock into place. Look down the feeding chute to see that the gears are seated properly. When seated properly, you will **NOT** be able to see any portion of the drive shaft. If you see any portion of the drive shaft, keep rotating the gears while pushing them in to lock them into place.



**6.** Slide the **Juicing Knob** or the **Breadstick Knob** (see page 12 for details) into the pulp outlet and turn clockwise to tighten. Tighten until it comes to a comfortable stop. Do not over tighten by forcing it to turn.



**7.** Slide the **Safety Hood** over the feeding chute.



**3.** Slide the desired **Screen** over the exposed portion of the Twin Gears. See page 12 for more information on which screen to select.



**8.** Attach the **Power Cord** to the rear of the machine and plug the other end into an electrical outlet.

## B. Disassembly

**IMPORTANT:** Make sure your juicer is switched off before disassembly



**1.** Unplug the Power Cord from your electrical outlet, and then remove the power cord from the rear of the machine.

**Note:** The Twin Gears on your juicer never need sharpening. They are not blades. They work by 'biting' off small bits of produce at a time, much like your teeth. They do not grate or slice your produce, allowing them to work at remarkably low speeds and preserving fragile nutrients and enzymes.



**2.** Remove the Safety Hood by lifting up the Safety Tray.



**3.** Turn the Juicing Knob or Breadstick Knob counterclockwise to loosen it. Remove it by sliding it out.



**4.** Unlock both Latches by pulling on the metal tabs. Open the latches away from the Outlet Casing.



**5.** Remove the Outlet Casing by sliding it away from the Main Body. Note that the Screen and/or the Twin Gears may come out with the Outlet Casing.



**6.** Remove the Screen.



**7.** Carefully slide the Twin Gears out of the Twin Gear Housing.



**8.** Remove the Twin Gear Housing by holding the feeding chute and sliding it away from the Main Body.

# SETTING UP YOUR GREENSTAR ELITE

## C. Using the Screens

A few screens are provided to increase the versatility of your Greenstar Elite.



**1. Fine Screen:** The fine screen is used to make vegetable and fruit juices with as little pulp as possible in the juice. This screen is suitable for most types of vegetable and fruit juices, including carrots and other root vegetables; crisp apples and other crisp fruits; spinach, kale and other leafy greens; wheatgrass and other grasses; celery and other fibrous stalks, and much more. Note that the pressure built up inside of the screen may still push some finely ground pulp through the holes of the screen.



**2. Coarse Screen:** The coarse screen is used to make vegetable and fruit juices with some pulp mixed into the juice. This screen is suitable for juices where a little pulp is desired inside the juice.



**3. Homogenizing Screen (Open Screen):** The homogenizing screen is used for basic food processing. When using the Homogenizing Screen, Greenstar Elite processes your ingredients and releases them through the juice outlet underneath. Use the Homogenizing Screen when grinding nuts and seeds to make pâtés, baby foods, etc. When using the Homogenizing Screen, slide it over the Twin Gears so that the rectangular hole faces downward.



**4. Breadstick Screen (Closed Screen):** The Breadstick Screen is used for food processing where an extra smooth consistency is required. When using the Breadstick Screen, the Greenstar Elite processes your ingredients and pushes them through the pulp outlet, adding increased processing time. Use the Breadstick Screen with the Breadstick Knob (see next page) to make breadsticks, mochi, sorbets, nut butters, and other recipes where a smoother consistency is desired.

## D. Using the Knobs

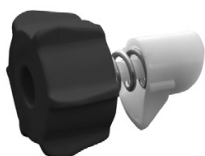


### 1. Juicing Knob:

**a. With the Fine Screen or the Coarse Screen:** Use the juicing knob when juicing vegetables and fruits. The juicing knob adjusts how much the pulp is squeezed before it is pushed out through the pulp outlet. Tightening the knob increases the amount of pressure that is applied to the vegetables and fruits while extracting juice. Tightening the knob will get more juice from firmer vegetables like carrots, crisp apples, celery, etc. However, a tightened knob may also prevent the juicer from successfully ejecting the pulp of softer produce, wheatgrass, or leafy greens.

- **TIGHTEN THE KNOB:** to extract maximum juice from firmer vegetables and fruits.
- **LOOSEN THE KNOB:** to extract juice from softer vegetables and fruits. Also loosen knob for wheatgrass and leafy vegetables for easier pulp ejection.

**b. With the Homogenizing Screen:** Tighten the juicing knob all the way when using the homogenizing screen to make sure the processed ingredients do not get pushed out through the pulp outlet.



**2. Soft Fruit Knob** (optional accessory):

Use the Soft Fruit Knob the same way you would use the Juicing Knob when juicing softer produce. The soft fruit knob has a softer spring, allowing pulp to be ejected more easily while juicing softer produce.



**3. Breadstick Knob:**

With the **Breadstick Screen:** Use the breadstick knob with the breadstick screen to make breadsticks, mochi, sorbets, or other foods where a smoother consistency is desired. The breadstick knob shapes your ingredients into a tube as they are pushed through the pulp outlet.

## E. Using the plungers



**1. Plastic Plunger:** The plastic plunger is specially designed to push your vegetables through without the plunger touching the Twin Gears. Press firmly on the plunger to push the food down through the feeding chute. The plastic plunger will stop before it comes in contact with the Twin Gears.



**2. Wooden Plunger:** The wooden plunger is made of wood and can be used to push your ingredients all the way down to the Twin Gears. The wooden plunger can touch the Twin Gears without damaging them.

## F. Using the Drip Tray

Simply slide the narrow end of the drip tray between the two feet of the Greenstar Elite and place the juice pitcher on top of the drip tray to prevent messy drips from staining your counter.



# USING YOUR GREENSTAR ELITE

## A. Making Juices

1. Assemble your Greenstar Elite with the **Fine Screen** or **Coarse Screen** and the **Juicing Knob**.
2. Place the **Drip Tray** on the counter underneath the Juice Outlet and put the **Juice Pitcher** on top of the Drip Tray.
3. Position a large bowl or plastic bag under the **Pulp Outlet** to catch the ejected pulp.
4. Prepare your vegetables and fruits for juicing and juice them according to the following instructions:

• **Note:** it is normal for a few drops of juice to come out of the pulp outlet when first starting juicing. As you continue juicing, only pulp will come out of the pulp outlet.

Type of Produce	Examples	Preparation
Hard Roots	Carrots, Beets	<p><b>Preparation:</b> Wash all produce and cut into long, thin pieces that can be easily pushed through the feeding chute. Large carrots should be split in half lengthwise.</p> <p><b>Juicing Knob:</b> Tighten the juicing knob completely.</p> <p><b>Juicing Procedure:</b> Feed the 'wedge' end of the root through the feeding chute first, and press down on the blunt end of the root with the plastic or wooden plunger. Only insert one piece at a time.</p> <p><b>Remember:</b> The Twin Gears are not blades - you will need to firmly push carrots into the slowly rotating gears. Cut thicker carrots into lengthwise halves for easier juicing. The Plastic Plunger does not reach all the way to the gears - try using the Wooden Plunger to push that last bit of carrot for complete juicing.</p>
Grasses	Wheatgrass, Barley Grass	<p><b>Preparation:</b> Cut the grasses to the desired length and rinse them.</p> <p><b>Juicing Knob:</b> To begin, tighten the knob completely. Loosen or remove the knob after the first drops of juice come out of the juice outlet.</p> <p><b>Juicing Procedure:</b> Insert small handfuls of grass, blade tips first into the feeding chute. Press down with the wooden or plastic plunger if necessary.</p> <p><b>Remember:</b> Wheatgrass contains a chemical that naturally foams when it is juiced. Do not be alarmed if foam comes out from the juice outlet. To minimize foam: Always juice fresh wheatgrass; refrigerate the gears and wheatgrass for about 2 hours or overnight before juicing; and spray some cold water on the wheatgrass as you are juicing. If you do not mind wheatgrass juice mixed with carrot juice, you will get maximum yield on the wheatgrass juice with minimum foam by alternating wheat grass and carrots while juicing.</p> <p><b>Note:</b> Certain batches of wheatgrass may cause more foam than others! If you notice that your wheatgrass is generating excess foam, try finding a new source for your wheatgrass.</p>



Fibrous Stalks	Celery	<p><b>Preparation:</b> Separate into individual stalks and cut if necessary.</p> <p><b>Juicing Knob:</b> Tighten the knob completely.</p> <p><b>Juicing Procedure:</b> Feed the stalks into the feeding chute, one stalk at a time, with the leafy side up. Press down with the wooden or plastic plunger.</p>
Leafy Greens	Spinach, Kale, Dandelion Greens	<p><b>Preparation:</b> Wash all produce and separate leaves.</p> <p><b>Juicing Knob:</b> Start with the juicing knob tightened completely. If the produce starts to back up through the feeding chute, loosen the knob.</p> <p><b>Juicing Procedure:</b> Roll the leaves into a cylindrical shape and feed the leaves, one by one, through the feeding chute, leaf first. Press down with the plastic or wooden plunger.</p>
Apples	Fuji Apples, Granny Smith	<p>Always use crisper varieties of apples like Fuji Apples and avoid softer varieties like Red Delicious or Gala Apples. A good test: if you bite into an apple and it has a powdery consistency, it is too soft to juice.</p> <p><b>Preparation:</b> Wash all produce and cut into small enough pieces to easily push through the feeding chute. It is not necessary to peel apples if they have been washed. You may core the apple if desired.</p> <p><b>Juicing Knob:</b> The knob should be tightened anywhere between halfway and fully. If the processed apples start to back up through the feeding chute, loosen the juicing knob.</p> <p><b>Juicing Procedure:</b> Drop one slice of apple through the feeding chute at a time and press down with the plastic or wooden plunger.</p>
Firm Fruits	Apples, Pears, Persimmons	<p><b>Preparation:</b> Wash all fruits and peel them if necessary. Cut the fruits into small enough pieces to be easily pushed through the feeding chute.</p> <p><b>Juicing Knob:</b> Tighten the knob 3/4. Loosen or tighten as necessary.</p> <p><b>Juicing Procedure:</b> Drop one piece of fruit at a time into the feeding chute and press down with the plastic or wooden plunger.</p>
Softer Fruits	Grapes, Tomatoes	<p><b>Preparation:</b> Wash all fruits and peel them if necessary. Cut the fruits into small enough pieces to be easily pushed through the feeding chute.</p> <p><b>Juicing Knob:</b> Tighten the knob one-quarter to one-half way. Loosen or tighten as necessary.</p> <p><b>Juicing Procedure:</b> Drop one piece of fruit or a small handful into the feeding chute at a time, being sure not to overload the feeding chute. Press down with the plastic or wooden plunger.</p>
Citrus Fruits	Oranges, Grapefruit	<p><b>Preparation:</b> Wash and remove the rinds and as much pith from the fruits. Separate the fruit into wedges.</p> <p><b>Juicing Knob:</b> Tighten the knob halfway. Loosen or tighten as necessary.</p> <p><b>Juicing Procedure:</b> Drop one slice into the feeding chute at a time and press down with the plastic or wooden plunger.</p>

# USING YOUR GREENSTAR ELITE

<p>Juice Cocktails</p>		<p>If you are making juice cocktails of various different vegetable and fruit combinations, prepare the produce per the instructions on the previous page. Feed the produce into the feeding chute, alternating between hard and softer produce. For example, when making a carrot/wheatgrass combination, juice a piece of carrot, then a handful of wheatgrass, then another piece of carrot, etc.</p>
<p>Other Fruits and Vegetables</p>		<p>Your Greenstar Elite is capable of juicing a wide variety of vegetables and fruits. When trying new types of produce, experiment with the screens and with different positions for the juicing knob. If you ever notice that the produce backs up into the feeding chute, loosen the juicing knob and let the machine run for a few seconds. If the machine doesn't clear, loosen the juicing knob even more or remove it. Always feed the vegetables and fruits into the machine slowly, one piece at a time for best results.</p> <p><b>Note:</b> Greenstar Elite will not be able to juice very soft fruits like strawberries or bananas because there is not enough body behind the pulp to get pushed past the screen. These types of fruits are better blended or can be used to make frozen fruit sorbets.</p>

## B. Homogenizing: Making Pâtés and Basic Food Processing

Follow these instructions when you are making delicious pâtés or mock meats, or if you are grinding soaked nuts, beans, or when making other recipes where basic food processing is required. The food will be processed by the Twin Gears and will be ejected through the juice outlet underneath.

1. Assemble your Greenstar Elite with the **Homogenizing Screen** (rectangular hole facing downward) and the **Juicing Knob**.
2. Place the **Juice Pitcher** or other container to catch the processed food underneath the **Juice Outlet**.
3. Position a large bowl or plastic bag under the **Pulp Outlet** to catch any food that might come out of the Pulp Outlet.
4. Prepare your ingredients and feed them into the feeding chute one small handful at a time. Press down with the desired plunger.

## C. Making Raw Breadsticks, Mochi, Frozen Fruit Sorbets, etc.

Follow these instructions when you are making delicious raw breadsticks made from soaked nuts and grains, mochi from sticky rice, sorbets from frozen fruits, or other recipes where a smoother consistency is required. These instructions utilize the full food processing power of Greenstar Elite. The processed food will be ejected in a cylindrical shape through the pulp outlet on the front of the machine.

1. Assemble your Greenstar Elite with the **Breadstick Screen** and the **Breadstick Knob**.
2. Position a large bowl under the **Pulp Outlet** to catch the processed food.
3. Prepare your ingredients and feed them into the feeding chute one small handful at a time. Press down with the desired plunger.
  - a. When making raw breadsticks, use a knife to cut the breadsticks to the desired length as it is coming out of the pulp outlet. Dehydrate breadsticks for a delightful crunch.
  - b. When making nut butters, if a smoother consistency is required, try adding some of the nut's oils, available at health food stores.



## D. Making Pasta (with the optional accessory)

How to assemble the Pasta Maker Set onto your machine.

Instructions:

1. Attach the **Twin Gear Housing** to the juicer body
2. Remove the **Jumbo Twin Gears** from the machine and insert the Pasta Screw onto the motor drive shaft (left side as you are looking at the front of the body.)
3. Put the **Pasta Guide** over the **Pasta Screw**, making sure the long side of the **Pasta Guide** faces the left side.
4. Select the desired pasta setting from the two shapes provided on the **Pasta Screen** and fit it onto the **Pasta Guide**.
5. Close each latch over the ears of the **Pasta Screen** and snap the latches shut by pushing back on the metal tabs.
6. The machine is now ready to make pasta.

**Note:** Be sure the dough is not too moist.



**Pasta Screen**



**Pasta Guide**



**Pasta Screw**

# CLEANING AND MAINTENANCE

Keeping your Greenstar Elite clean is extremely important for both your health and the peak performance of the machine. We recommend cleaning the juicer immediately after each use, before food particles have a chance to dry. Since Greenstar Elite extracts minerals, such as calcium, from the produce so well, we recommend cleaning all of the juicing parts immediately after use to prevent troublesome mineral build-up.

## Cleaning Greenstar Elite

1. Switch off your Greenstar Elite and unplug it from the electrical outlet. Detach the power cord from the rear of the machine.
2. Disassemble the machine according to the instructions on page 11 and immerse the juicing components in warm water.
3. Using the included cleaning brushes, rinse and scrub the juicing components under warm running water and a mild detergent.
4. Use the cleaning brush to remove any remaining bits of pulp that remain on the Twin Gears or on the housings.
5. If using the Fine Screen, brush away from the corners and remove any pulp buildup.
6. Rinse all soapy water from the components; dry them thoroughly before they are reassembled. All parts, except the Safety Hood are dishwasher safe.
  - NEVER allow water to enter the Main Body of the machine.
  - NEVER use harsh chemicals, such as bleach, to remove food stains from the juicer.
  - NEVER drop any of the components, particularly the Twin Gears. Our warranty does not cover accidental damage.

## HELPFUL HINTS FOR EASY CLEANING:

**Cleaning the Screen:** Hold the screen under running water while brushing the pulp residue from inside the screen first, and then the outside of the screen. For pulp that is embedded firmly in the holes of the screen, try brushing away as much pulp as possible, soaking the screen for a couple of hours in water, and then brush the screen again. You may also try using the DULL side of a table knife to rub along the inner surface of the screen and then brushing from the outside with the Cleaning Brush.

**Cleaning the Main Body:** Turn off and unplug the machine. To clean the Main Body of your juicer, position the front two legs over the edge of the sink. With either the sink top sprayer, a spray bottle filled with water, or an empty detergent bottle filled with water and equipped with its squirt-top, spray water directly onto the front plate of the juicer where the drive shaft, mounting peg and free wheel gear seats to remove pulp residue. Wipe any other exterior surfaces with a damp cloth. DO NOT SUBMERGE THE MAIN BODY INTO WATER AT ANY TIME.

**Multiple Juicing Sessions:** If you want to juice throughout the day in multiple sessions without disassembling the machine, completely remove the Juicing Knob, place a large bowl under both the Juice Outlet and the Pulp Discharge Outlet, and pour about 16 oz. of water through the feeding chute while the machine is running, before and after each juicing session. Make sure to thoroughly clean the juicer after the last juicing session of the day.

**Stains:** Colored stains on parts of a well-used juicer and may be difficult to remove. Many people leave the colored stains as a 'badge of honor.' But if you would like to try to remove the color stains, try using a 25%-50% white vinegar/water solution and soak the parts overnight and then scrub with the cleaning brush. This may be repeated if necessary. Juicing green honeydew or cantaloupe melons may also lighten stains.

**Calcium and Mineral Deposits on the Twin Gears:** After using the machine for some time, you may notice a calcium or mineral deposit on the surfaces of the Twin Gears. To remove these deposits from your Twin Gears try one of the following methods:

- After juicing carrots, feed one tablespoon of carrot pulp into the feeding chute with two teaspoons of granulated sugar. Alternate pulp and sugar several times and then run the machine. Disassemble and thoroughly clean all of the juicing parts.
- Mix a solution of 4 tablespoons of baking soda with 2 cups (16 oz.) of lukewarm water. Soak the parts in the solution overnight to loosen the mineral deposits and to remove stains. Wash with soap and water and use a hard bristled brush to remove mineral deposits. Wipe with cloth to dry.
- Run soaked almonds through the machine to remove mineral deposits from the tips of the Twin Gears.
- Soak the affected parts in a pure vinegar bath overnight. This loosens the scaling and much of it can be brushed off. Repeat as necessary.

#### **Other Helpful Hints**

- Use the narrow, pointed end of the cleaning brush to push food out through the pulp outlet.
- Dried fruits and nuts can be very sticky on the inside surfaces of the juicer. To remove the residue more easily run a couple of stalks of celery through before disassembling the machine.

# TROUBLESHOOTING

**NOISES:** Even though the Greenstar Elite Juice Extractor is very quiet, some noises are normal during operation. If you are unsure whether the noises you are hearing are normal:

1. Squeaking: Your Greenstar Elite may make a squeaking noise during operation. To check if this is normal, assemble the machine without the Twin Gears and screen and switch it on. If you hear squeaking, your drive shaft may need more lubrication. You may continue to use the machine even if you hear this squeaking noise. If you would like instructions on lubricating the drive shaft, please contact your nearest service center.
2. Fully assemble your juicer and turn it on without adding any produce. You will hear the Twin Gear sound. You may hear a repetitive thumping sound, which is normal. The Twin Gears may have minor variations and the thumping sound is considered normal. This minor variation will not affect the function and will not damage any parts.
3. While you are juicing you may hear a squeaking or chirping sound that is also considered to be normal.

**MOVEMENTS:** A great deal of pressure is built up in the juicing chamber while in operation. In order to alleviate some of this pressure, Greenstar Elite is designed to wiggle and flex while juicing to prevent damage to other parts of the machine. This flexing is normal and will not cause damage to your machine.

Symptom	Solution
Machine doesn't turn on	<ul style="list-style-type: none"> <li>• Make sure your power source is active, the plug is correctly attached to the rear of the machine and in the electrical outlet and the machine is switched on.</li> <li>• Make sure the electrical rating of the outlet is compatible with the motor as listed on the safety label of the machine.</li> </ul>
Machine stops while running	<ul style="list-style-type: none"> <li>• Make sure the machine is correctly assembled.</li> <li>• If the machine is overloaded, use the reverse switch to dislodge some of the ingredients.</li> </ul>
Noisy gears	<ul style="list-style-type: none"> <li>• Make sure the Twin Gears are correctly aligned.</li> <li>• Check to see if there is any hard material lodged in the gears. If so, turn off, unplug, and disassemble the machine. Rinse and try again.</li> <li>• Inspect your Twin Gears for any damage. If you notice any damage to the Twin Gears, stop usage and call your nearest service center.</li> </ul>
Outlet Casing does not fit properly, or latches do not close properly.	<ul style="list-style-type: none"> <li>• Check to see if the Twin Gears are seated properly. Give them a twist while pushing in until they lock into place.</li> </ul>
Pulp is not being ejected; Ingredients are coming back up the feeding chute	<ul style="list-style-type: none"> <li>• Loosen the Juicing Knob</li> </ul>
Pulp is too wet	<ul style="list-style-type: none"> <li>• Tighten the Juicing Knob, ingredients may not be fresh</li> </ul>
Pulp comes out with juice	<ul style="list-style-type: none"> <li>• Make sure the screen is in position</li> <li>• Tighten the Juicing Knob</li> </ul>
Low amount of juice	<ul style="list-style-type: none"> <li>• Make sure the Juicing Knob is fastened snugly.</li> </ul>
Material jammed	<ul style="list-style-type: none"> <li>• Flip the switch to the reverse position once or twice.</li> <li>• If it doesn't clear, disassemble the machine to clear any blockage.</li> </ul>

**WARNING:** Never stick a knife, spoon, or other foreign object down the feeding chute while the machine is in operation!

# PRODUCT INFORMATION

EN

## PRODUCT STANDARD

ITEM	VEGETABLE JUICER
MODEL	GREENSTAR ELITE (GSE-5000)
ELECTRICITY RATING	USA Models: 120V, 60 Hz, 200W
	EUROPE/ASIA: 220-240V, 50-60Hz, 200W
SIZE	18.25" x 6.88" x 12.50" (464 mm x 175 mm x 318 mm)
WEIGHT	26.6 lbs (12.07 kg)

# BIENVENUE

Félicitations ! Vous pouvez être fier d'être désormais le propriétaire d'une extracteur de jus Greenstar Elite, la prochaine génération des extracteur de jus révolutionnaires Greenstar. Avec le Greenstar Elite, vous pouvez extraire le jus de nombreux fruits et légumes - des carottes aux pommes, de l'agropyre aux épines de pin, sans avoir le moindre besoin d'arrêter la machine pour modifier les pièces ! Vous pouvez également utiliser la extracteur de jus Greenstar Elite pour préparer d'autres aliments délicieux tels que de la nourriture pour bébé, des gressins, du beurre de noix, des pâtés, des sorbets de fruits et bien plus encore!

La extracteur de jus Greenstar Elite libère le meilleur de la nutrition que la nature puisse offrir, en utilisant un système avancé de doubles engrenages surdimensionnés pour extraire le meilleur des fruits et légumes. La forme unique des doubles engrenages surdimensionnés du Greenstar Elite permet d'extraire plus de jus et d'obtenir de meilleures performances que les autres extracteur de jus à double engrenage. Les nouveaux doubles engrenages sont associés à d'autres nouvelles améliorations de la conception qui rendent la Greenstar Elite plus facile à configurer, à utiliser et à nettoyer que jamais.

Les doubles engrenages surdimensionnés constituent un système de presseur à rotor qui tourne à seulement 110 tr/min et ne génère que très peu de chaleur lors de sa rotation. La Greenstar Elite dispose également d'une technologie magnétique et biocéramique incorporée au système de doubles engrenages surdimensionnés qui produit des jus d'une plus grande fraîcheur pouvant se conserver plus longtemps et perdant le minimum des précieuses enzymes et vitamines contenues dans le jus. La technologie magnétique et biocéramique incorporée au système de doubles engrenages surdimensionnés aide à la stabilisation de vos jus frais, pour vous permettre de les stocker plus longtemps, en perdant moins d'enzyme et de substances nutritives.

N'oubliez pas de déballer soigneusement votre Greenstar Elite et de vous assurer que toutes les pièces sont incluses. Prenez également le temps de vous familiariser avec votre nouvelle extracteur de jus avant de commencer à faire des jus. Il est recommandé de démonter et de remonter votre machine plusieurs fois pour se familiariser avec l'assemblage correct de toutes les pièces. De nombreuses pièces ont été incluses en tant que pièces standard afin de faciliter l'extraction des jus et d'améliorer la polyvalence des capacités de préparation des aliments.

Nous vous recommandons de laver toutes les pièces à l'eau chaude avec un détergent doux avant de commencer l'utilisation de votre extracteur de jus Greenstar Elite. Une fois que les pièces ont été nettoyées, vous pouvez commencer à faire des jus avec votre extracteur de jus Greenstar Elite. Nous espérons que vous apprécierez l'expérience offerte par votre Greenstar, c'est ici que commence le voyage vers une meilleure nutrition et une meilleure santé.

Veuillez prendre le temps de lire attentivement la totalité du mode d'emploi pour découvrir les pratiques correctes en matière d'utilisation et d'entretien de l'appareil. Suivez les instructions de ce manuel pour vous assurer que votre extracteur de jus Greenstar Elite fonctionne parfaitement pour de nombreuses années.

# TABLE DES MATIÈRES

• <b>Bienvenue</b> .....	22
• <b>Précautions importantes</b> .....	24
• <b>Précautions de sécurité importantes</b> .....	25
• <b>Pièce de la extracteur de jus Greenstar Elite</b> .....	26
A. Diagramme de la extracteur de jus	
B. Pièces standard	
• <b>Configuration de votre Greenstar Elite</b> .....	28
A. Assemblage	
B. Démontage	
C. Utilisation des tamis	
D. Utilisation des boutons	
E. Utilisation des poussoirs	
F. Utilisation du plateau égouttoir	
• <b>Utilisation de votre Greenstar Elite</b> .....	32
A. Faire des jus	
B. Homogénéiser : faire des pâtés et transformations de base des aliments	
C. Faire des gressins crus, des mochi, des sorbets au fruit, etc.	
D. Faire des pâtes (modèle GSE-5300)	
• <b>Nettoyage et entretien</b> .....	36
A. Nettoyage de votre Greenstar Elite	
B. Conseils pratiques pour faciliter le nettoyage	
• <b>Dépannage</b> .....	38
A. Bruits	
B. Mouvements	
C. Symptômes et solutions	
• <b>Informations concernant le produit</b> .....	41

FR

# PRÉCAUTIONS IMPORTANTES

Lorsque vous utilisez des appareils électriques, il est essentiel de suivre des précautions de sécurité de base, y compris les précautions suivantes:

1. Veuillez lire attentivement toutes les instructions avant d'utiliser l'appareil.
2. Pour limiter les risques de décharge électrique, ne plongez pas le boîtier principal dans l'eau ou tout autre liquide.
3. Utilisez uniquement le cordon électrique approuvé inclus avec votre machine ou fourni par le fabricant.
4. Branchez uniquement l'appareil à une prise électrique d'un régime nominal compatible pour votre machine. Faute de quoi le moteur serait endommagé et la garantie serait annulée.
5. Une étroite supervision est nécessaire lorsque l'appareil est utilisé à proximité d'enfants.
6. Débranchez l'appareil de la prise électrique lorsqu'il n'est pas utilisé, avant de le monter ou le démonter, et avant le nettoyage.
7. Assurez-vous toujours que toutes les pièces d'extraction du jus soient correctement fixées avant de démarrer le moteur.
8. Inspection lorsque l'équipement est en marche:
  - Ne touchez pas les pièces en mouvement.
  - N'essayez pas de les démonter.
9. Ne placez JAMAIS les doigts ou autres objets, tels que des cuillères, des couteaux ou tout autre ustensile de cuisine, dans la goulotte d'alimentation ou tout autre orifice de la extracteur de jus lorsqu'elle est en fonctionnement. Si des aliments sont coincés dans la goulotte d'alimentation, utilisez l'un des poussoirs inclus avec l'appareil. Si cela ne fonctionne pas, coupez l'alimentation du moteur, débranchez la machine et démontez la extracteur de jus pour enlever les aliments restants.
10. N'oubliez pas de remettre l'interrupteur sur la position « ARRÊT » après chaque utilisation. Assurez-vous que le moteur soit complètement arrêté et débranchez la machine avant de la démonter.
11. Ne démontez aucune pièce de l'appareil autre que les pièces devant être démon tées pour le fonctionnement ou le nettoyage de votre extracteur de jus (telles que le boîtier, les doubles engrenages, le tamis). L'ouverture de la base motrice annule la garantie.
12. Cessez d'utiliser votre Greenstar Elite et faites-la examiner et, s'il y a lieu, réparer par un technicien certifié afin d'éviter tout risque de blessure ou de décharge électrique si:
  - le cordon ou la prise sont endommagés
  - elle ne fonctionne pas correctement
  - elle est tombée ou est endommagée
13. L'utilisation d'outils ou d'accessoires non recommandés par le fabricant peut causer un incendie, une décharge électrique ou des blessures.
14. Votre Greenstar Elite doit être correctement reliée à la terre pour pouvoir fonctionner correctement et en toute sécurité. Utilisez uniquement le cordon et la fiche d'alimentation fournis avec l'appareil et branchés dans une prise électrique correctement reliée à la terre. N'essayez pas de forcer la fiche dans votre prise électrique, vous pourriez causer un incendie, une décharge électrique ou des blessures.
15. N'utilisez pas le cordon d'alimentation comme poignée et n'essayez pas de l'arracher ou de tirer dessus pour enlever la fiche de la prise électrique.
16. Ne laissez pas pendre le cordon électrique du bord d'une table ou du plan de travail, ou entrer en contact avec des surfaces chaudes telles qu'une cuisinière.
17. Uniquement destiné à un usage domestique.
18. Veuillez consulter la section « Lorsque vous avez besoin d'un service » si votre extracteur de jus ne fonctionne pas normalement.
19. N'utilisez l'appareil que pour l'u sage auquel il est destiné.



# PRÉCAUTIONS DE SÉCURITÉ IMPORTANTES

## À FAIRE

- **Très important !** Lorsque vous combinez les doubles engrenages pour l'assemblage de l'appareil, n'oubliez pas d'aligner les points de repère marqués sur la surface des engrenages.
- **10 minutes de repos après 30 minutes de fonctionnement !** Lorsque vous utilisez votre extracteur de jus Greenstar Elite continuellement, interrompez l'utilisation pendant 10 minutes après 30 minutes d'utilisation continue, puis reprenez le fonctionnement.
- Mettez toujours le capot de sécurité sur la goulotte d'alimentation avant l'utilisation. La machine ne fonctionnera pas si le capot de sécurité n'est pas en place



## À NE PAS FAIRE

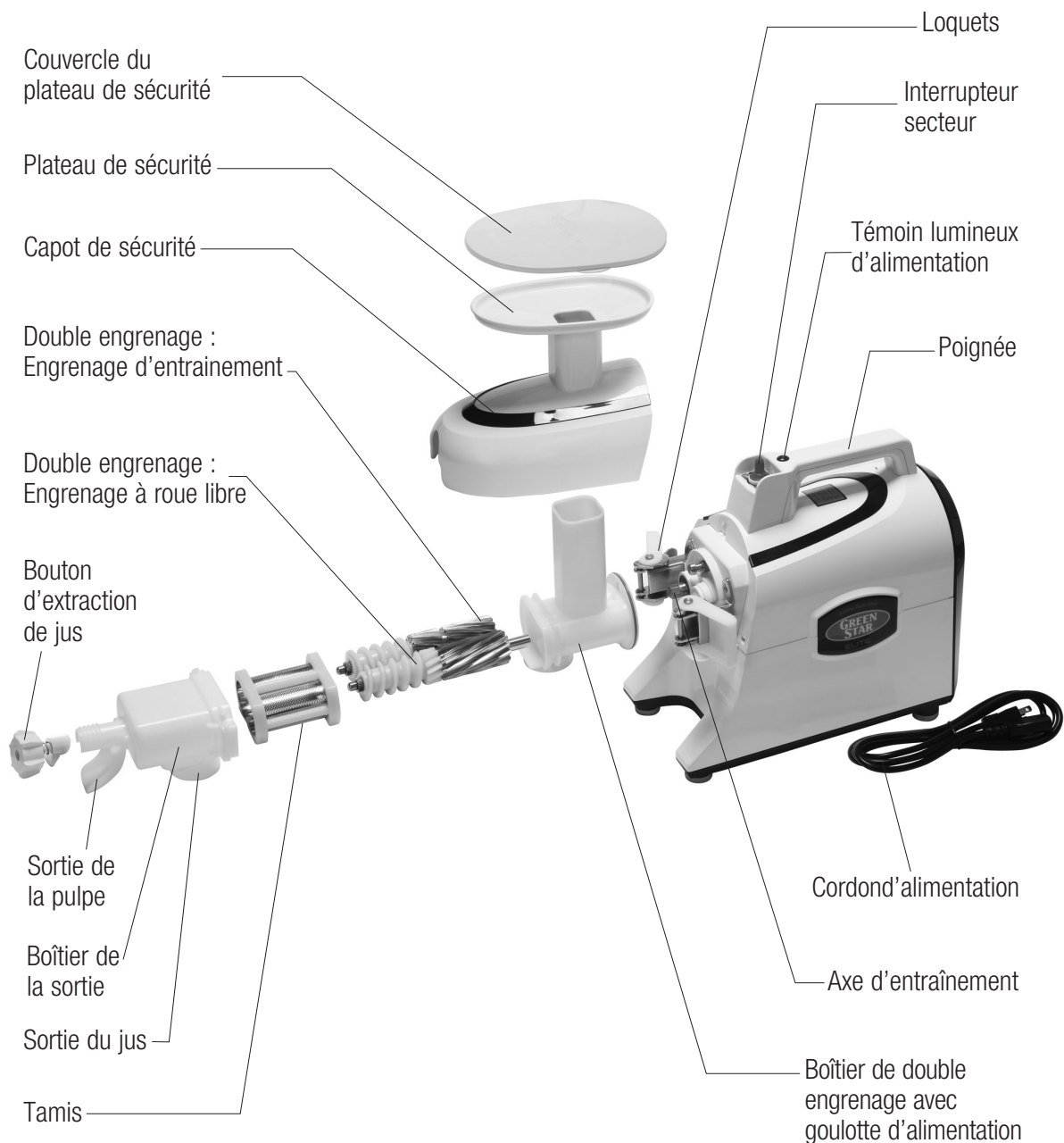
- Ne soulevez pas votre extracteur de jus Greenstar Elite lorsque vous avez les mains humides. C'est une machine lourde qui pourrait vous glisser accidentellement des mains.
- Ne montez et ne démontez pas l'appareil lorsque le cordon d'alimentation est branché à une prise.
- Ne placez pas les doigts ou les mains dans la goulotte d'alimentation. Utilisez toujours le poussoir.
- Ne débranchez pas la fiche électrique de la prise avec les mains mouillées.
- Ne conservez pas la extracteur de jus dans un endroit où les enfants peuvent y accéder.
- N'utilisez pas la extracteur de jus Greenstar sur une surface instable.
- Ne placez aucun objet, tel que des couteaux, des cuillères ou des fourchettes dans la goulotte d'alimentation.
- Ne faites pas fonctionner de force la extracteur de jus et ne surchargez pas la goulotte d'alimentation.

**AVERTISSEMENT :** NE RETIREZ JAMAIS LE CAPOT DE SÉCURITÉ QUAND LA MACHINE EST EN FONCTIONNEMENT

FR

# PIÈCES DE LA EXTRACTEUR DE JUS GREENSTAR ELITE

## Diagramme de la extracteur de jus



## Pièces standard

Lorsque vous déballiez votre Greenstar Elite, assurez-vous que toutes les pièces sont bien présentes. Si la moindre pièce est manquante, veuillez contacter immédiatement le centre de service le plus proche. Il est recommandé d'assembler et de démonter plusieurs fois la machine pour se familiariser avec celle-ci avant d'extraire des jus.



FR

- |                                                     |                                         |                                                         |
|-----------------------------------------------------|-----------------------------------------|---------------------------------------------------------|
| 1. Bouton d'extraction de jus                       | 8a. Engrenage d'entraînement            | 17. Brosse de nettoyage plate                           |
| 2. Bouton à gressin                                 | 8b. Engrenage à roue libre              | 18. Brosse de nettoyage                                 |
| 3. Bouton fruits tendres<br>(accessoire facultatif) | 9. Boîtier de double engrenage          | 19. Cordon d'alimentation                               |
| 4. Tamis fin                                        | 10. Couvercle du plateau de<br>sécurité | 20. Kit pour faire les pâtes<br>(accessoire facultatif) |
| 5. Tamis grossier                                   | 11. Boîtier de la sortie                | 20a. Tamis pour pâtes                                   |
| 6. Tamis d'homogénéisation<br>(tamis ouvert)        | 12. Plateau égouttoir                   | 20b. Vis pour pâtes                                     |
| 7. Tamis pour gressin<br>(tamis fermé)              | 13. Cruche à jus                        | 20c. Guide pour pâtes                                   |
| 8. Jeu de double engrenage<br>surdimensionné        | 14. Poussoir en plastique               | 21. Capot de sécurité                                   |
|                                                     | 15. Poussoir en bois                    | 22. Structure principale                                |
|                                                     | 16. Crépine                             |                                                         |

# CONFIGURATION DE VOTRE GREENSTAR ELITE

## A. Assemblage

**IMPORTANT:** Assurez-vous que votre Greenstar Elite soit bien débranché de la prise électrique avant le démontage.

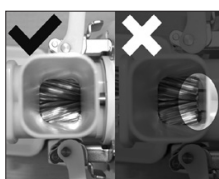


**1.** Faites coulisser le **boîtier du double engrenage** dans la Structure principale et repoussez-le jusqu'à ce qu'il entre en place dans la structure principale.

**2. TRÈS IMPORTANT !**  
Assemblez les **doubles engrenages** comme suit :



- Situez les **points de repaire** inscrits à l'extrémité de chaque engrenage.
- Positionnez les points de repère pour que le point sur **l'engrenage à roue libre** se trouve entre les deux points sur **l'engrenage d'entraînement**.
- En maintenant les engrenages dans cette position, faites-les coulisser dans le **Boîtier de double engrenage**, l'extrémité en acier d'abord, de manière à ce que l'engrenage à roue libre entre dans la fente de droite et l'engrenage d'entraînement dans la fente de gauche. Repoussez-les jusqu'à ce qu'ils soient coincés.



- Faites tourner les engrenages tout en les poussant jusqu'à ce qu'ils soient complètement à l'intérieur et qu'ils s'enclenchent en place. Regardez dans la goulotte d'alimentation pour vous assurer que les engrenages sont correctement installés. Lorsque les engrenages

sont correctement installés, vous ne devez PAS pouvoir voir la moindre partie de l'arbre d'entraînement. Si vous pouvez apercevoir une partie de l'arbre d'entraînement, continuez de faire tourner les engrenages tout en les poussant pour qu'ils s'enclenchent en place.



**3.** Faites coulisser le **tamis** voulu sur la partie exposée des doubles engrenages. Voir en page 30 pour de plus amples informations concernant le tamis à sélectionner.



**4.** Faites coulisser le **boîtier de sortie** sur le tamis.



**5.** Fermez les **loquets** sur les pattes du boîtier de sortie et refermez les loquets en les repoussant sur les pattes en métal.

**Si les doubles engrenages ne sont pas installés correctement, les loquets ne se refermeront pas correctement. Si c'est le cas, retirez le boîtier de sortie et le tamis et faites tourner les engrenages tout en les poussant jusqu'à ce qu'ils soient complètement à l'intérieur et qu'ils s'enclenchent en place, puis remontez l'appareil. Les dommages survenus à la machine suite à un montage incorrect ne sont pas couverts par votre garantie.**



**6.** Faites coulisser le **bouton d'extraction** de jus ou le **Bouton gressin** (voir les détails en page 30) dans la sortie de pulpe et tournez dans le sens des aiguilles d'une montre pour serrer. Serrez jusqu'à ce qu'il ne puisse plus pivoter. Ne serrez pas trop en le forçant à tourner.



**7.** Faites coulisser le **capot de sécurité** sur la goulotte d'alimentation.



**8.** Fixez le **cordon d'alimentation** à l'arrière de la machine et branchez l'autre extrémité à une prise électrique.

## B. Démontage

**IMPORTANT :** assurez-vous que votre extracteur de jus est à l'arrêt avant de la démonter.



**1.** Débranchez le cordon d'alimentation de votre prise électrique, puis débranchez le cordon d'alimentation de l'arrière de la machine.



**6.** Retirez le tamis.



**2.** Retirez le capot de sécurité en le levant sur le plateau de sécurité.



**7.** Faites prudemment coulisser les doubles engrenages hors du boîtier de double engrenage.



**3.** Faites tourner le bouton d'extraction du jus ou le bouton à gressin dans le sens inverse des aiguilles d'une montre pour le desserrer. Retirez-le en le faisant coulisser vers l'arrière.



**8.** Retirez le boîtier de double engrenage en maintenant la goulotte d'alimentation et en le faisant coulisser de la structure principale.



**4.** Débloquez les deux loquets en tirant sur les pattes en métal. Ouvrez les loquets en les éloignant du Boîtier de la sortie.



**5.** Retirez le boîtier de la sortie en le faisant coulisser de la structure principale. Notez que le tamis et/ou les doubles engrenages peuvent aussi être enlevés avec le boîtier de la sortie.

**Note:** les doubles engrenages de votre extracteur de jus n'ont jamais besoin d'être aiguisés. Ce ne sont pas des lames. Ils fonctionnent en « mordant » quelques petits morceaux de produit à la fois, comme le font vos dents. Ils ne râpent et ne tranchent pas le produit, ce qui leur permet de fonctionner à des vitesses extrêmement lentes, tout en préservant les précieuses substances nutritives et les enzymes..

# CONFIGURATION DE VOTRE GREENSTAR ELITE

## C. Utilisation des tamis

Plusieurs tamis sont inclus pour augmenter la polyvalence de votre Greenstar Elite.



**1. Tamis fin :** le tamis fin est utilisé pour extraire le jus des fruits et des légumes avec le moins de pulpe possible. Ce tamis convient pour la plupart des types de fruits et de légumes, y compris les carottes et les autres tubercules ; les pommes croquantes et les autres fruits croquants ; les épinards, choux frisés et autres légumes-feuilles ; l'agropyre et les autres herbes ; le céleri et les autres tiges fibreuses et bien plus encore. Notez que l'accumulation de pression à l'intérieur du tamis est susceptible de faire passer des pulpes finement râpées par les trous du tamis.



**2. Tamis grossier :** le tamis grossier est utilisé pour extraire le jus des fruits et des légumes avec une certaine quantité de pulpe mélangée au jus. Ce tamis convient pour les jus dans lesquels on souhaite avoir une certaine quantité de pulpe.



**3. Tamis d'homogénéisation (tamis ouvert) :** le tamis d'homogénéisation est utilisé pour la transformation de base des aliments. Lorsque vous utilisez le tamis d'homogénéisation, le Greenstar Elite transforme vos aliments et il les évacue par la sortie à jus du dessous. Utilisez le tamis d'homogénéisation lorsque vous râpez des noix ou des graines, ou lorsque vous préparez des pâtés, de la nourriture pour bébés, etc. Lorsque vous utilisez le tamis d'homogénéisation, faites-le coulisser sur les doubles engrenages de manière à ce que le trou rectangulaire soit dirigé vers le bas.



**4. Tamis pour gressin (tamis fermé) :** le tamis pour gressin est utilisé pour la préparation des aliments lorsqu'une texture d'une grande souplesse est recherchée. Lorsque vous utilisez le tamis pour gressin, le Greenstar Elite transforme vos ingrédients et il les évacue par la sortie à pulpe, ce qui augmente la durée du traitement. Utilisez le tamis pour gressin avec le bouton à gressin (voir ci-dessous) pour faire des gressins, des mochi, des sorbets aux fruits, des beurres de noix et d'autres recettes qui nécessitent une texture souple.

## D. Utilisation des boutons

### 1. Bouton d'extraction de jus :

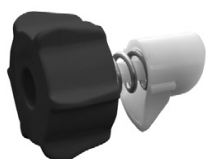


**a. Avec le tamis fin ou le tamis grossier :** utilisez le bouton d'extraction du jus pour extraire le jus des légumes et des fruits. Le bouton d'extraction du jus ajuste la quantité de pulpe extraite avant qu'elle soit évacuée par la sortie de pulpe. Serrer le bouton pour augmenter la quantité de pression appliquée sur les légumes et les fruits lors de l'extraction du jus. Serrer le bouton pour obtenir une plus grande quantité de jus des légumes les plus fermes tels que les carottes, les pommes croquantes, le céleri, etc. Toutefois, un bouton serré peut aussi empêcher l'extracteur de jus d'éliminer la pulpe des produits plus souples, tels que l'agropyre ou les légumes-feuilles



- **SERREZ LE BOUTON** : pour extraire le maximum de jus des légumes et des fruits plus fermes.
- **DESSERREZ LE BOUTON** : pour extraire le jus des légumes et des fruits plus souples. Desserrez également le bouton pour l'agropyre et les légumes-feuilles afin de faciliter l'éjection de la pulpe.

**b. Avec le Tamis d'homogénéisation** : serrez le bouton d'extraction du jus à fond lorsque vous utilisez le tamis d'homogénéisation afin de vous assurer que les ingrédients traités ne soient pas repoussés dans la sortie de pulpe.



### 2. Bouton fruits tendres (accessoire facultatif) :

Utilisez le bouton fruits tendres de la même manière que le bouton d'extraction du jus, lorsque vous cherchez à extraire le jus de produits plus tendres. Le bouton fruits tendres est pourvu d'un ressort moins serré qui permet à la pulpe d'être évacuée plus facilement lors de l'extraction du jus de produits plus tendres.



### 3. Bouton gressin :

Avec le **Tamis pour gressin** : utilisez le bouton à gressin avec le Tamis pour gressin si vous souhaitez préparer des gressins, mochi, sorbets, ou autres aliments pour lesquels une texture plus souple est requise. Le bouton à gressin donne à vos ingrédients la forme d'un tube avant qu'ils soient évacués par la sortie de pulpe.

FR

## E. Utilisation des poussoirs



**1. Poussoir en plastique** : le poussoir en plastique est spécialement conçu pour pousser vos légumes sans que le poussoir n'atteigne les doubles engrenages. Appuyez fermement sur le poussoir pour pousser les aliments dans la goulotte d'alimentation. Le poussoir en plastique s'arrêtera avant d'entrer en contact avec les doubles engrenages.



**2. Poussoir en bois** : ce poussoir est fabriqué en bois et il est possible de l'utiliser pour pousser vos ingrédients jusqu'aux doubles engrenages. Le poussoir en bois peut entrer en contact avec les doubles engrenages sans les endommager.

## F. Utilisation du plateau égouttoir

Contentez-vous de glisser l'extrémité étroite du plateau égouttoir entre les deux pieds du Greenstar Elite et placez la cruche à jus sur le plateau égouttoir pour éviter que des gouttes de jus ne tachent votre plan de travail.



# UTILISATION DE VOTRE GREENSTAR ELITE

## A. Faire des jus

1. Assemblez votre Greenstar Elite avec le **tamis fin** ou le **tamis grossier** et le **bouton d'extraction du jus**.
2. Placez le **plateau égouttoir** sur le plan de travail en dessous de la sortie du jus et placez la **cruche à jus** sur le plateau égouttoir.
3. Placez un grand bol ou un sac en plastique sous la **sortie de la pulpe** pour récupérer la pulpe qui est éjectée.
4. Préparez vos légumes et vos fruits et procédez à l'extraction du jus selon les instructions ci-dessous:

• **Note:** il est normal que quelques gouttes de jus sortent de la sortie de pulpe lorsque la extracteur de jus est mise en marche. Lorsque l'extraction du jus continue, seule la pulpe sortira de la sortie de pulpe.

Type de produit	Exemples	Préparation
Tubercules durs	Carottes, betteraves	<p><b>Préparation:</b> lavez tous les produits et coupez-les en morceaux longs et fins pouvant facilement passer dans la goulotte d'alimentation. Les carottes de grande taille doivent être coupées en deux dans le sens de la longueur.</p> <p><b>Bouton d'extraction de jus:</b> serrez à fond le bouton d'extraction de jus.</p> <p><b>Procédure d'extraction du jus :</b> introduisez l'extrémité « pointue » du tubercule dans la goulotte d'alimentation et appuyez sur l'autre extrémité à l'aide du poussoir en plastique ou en bois. Insérez un seul morceau à la fois.</p> <p><b>N'oubliez pas:</b> les doubles engrenages ne sont pas des lames, vous aurez besoin de pousser fermement pour introduire les carottes dans ces engrenages qui tournent lentement. Coupez les grandes carottes en deux dans le sens de la longueur pour faciliter l'extraction du jus. Le poussoir en plastique n'atteint pas jusqu'aux engrenages, essayez le poussoir en bois pour pousser le dernier morceau de carotte pour terminer l'extraction de jus.</p>
Herbes	Agropyre, orge	<p><b>Préparation:</b> coupez les herbes à la longueur voulue et rincez-les.</p> <p><b>Bouton d'extraction de jus :</b> pour commencer, serrez à fond le bouton. Desserrez ou retirez le bouton après que les premières gouttes de jus s'écoulent de la sortie à jus.</p> <p><b>Procédure d'extraction du jus :</b> insérez une petite poignée d'herbe, la pointe des brins en premier, dans la goulotte d'alimentation. Appuyez à l'aide du poussoir en plastique ou en bois si nécessaire.</p> <p><b>N'oubliez pas :</b> l'agropyre contient un produit chimique qui produit de la mousse lors de l'extraction du jus. Ne vous inquiétez pas si de la mousse s'écoule de la sortie de jus. Pour minimiser la production de mousse. Utilisez toujours de l'agropyre fraîche, réfrigérez l'équipement et l'agropyre pendant environ 2 heures ou pendant une nuit avant de procéder à l'extraction du jus ; pulvérisez de l'eau froide sur l'agropyre pendant le processus d'extraction du jus. Si vous aimez le jus d'agropyre mélangé au jus de carotte, vous obtiendrez un excellent rendement en jus d'agropyre avec un minimum de mousse en alternant l'extraction du jus d'agropyre avec l'extraction de jus de carottes.</p>



		<b>Note:</b> certaines agropyres peuvent produire plus de mousse que d'autres. Si vous constatez que l'agropyre que vous utilisez produit trop de mousse, essayez de trouver une nouvelle source d'agropyre.
Tiges fibreuses	Céleri	<b>Préparation :</b> séparez les tiges individuelles et coupez si nécessaire. <b>Bouton d'extraction de jus :</b> serrez à fond le bouton. <b>Procédure d'extraction du jus :</b> introduisez les tiges dans la goulotte d'alimentation, une tige à la fois, la partie feuille vers le haut. Appuyez à l'aide du poussoir en plastique ou en bois.
Légumes-feuilles	Épinard, chou frisé, chicorée	<b>Préparation :</b> lavez tous les produits et séparez les feuilles. <b>Bouton d'extraction de jus :</b> commencez avec le bouton d'extraction du jus serré à fond. Si les produits commencent à ressortir par la goulotte d'alimentation, desserrez le bouton. <b>Procédure d'extraction du jus :</b> roulez les feuilles pour obtenir une forme cylindrique et introduisez-les, une par une, dans la goulotte d'alimentation, en commençant par les feuilles. Appuyez avec le poussoir en plastique ou en bois.
Pommes	Pommes Fuji, Granny Smith	Utilisez toujours les variétés de pomme les plus croustillantes comme les pommes Fuji et évitez les variétés plus tendres comme les pommes Red Delicious ou Gala. Un bon test : si vous croquez dans une pomme et qu'elle a une texture farineuse, elle est trop tendre pour en extraire le jus. <b>Préparation :</b> lavez tous les produits et coupez-les en morceaux suffisamment petits pour rentrer dans la goulotte d'alimentation. Il n'est pas nécessaire d'éplucher les pommes si elles ont été lavées. Vous pouvez enlever le trognon des pommes si vous le désirez. <b>Bouton d'extraction de jus :</b> ce bouton doit être réglé entre demi et pleine puissance. Si les pommes commencent à ressortir par la goulotte d'alimentation, desserrez le bouton. <b>Procédure d'extraction du jus :</b> insérez une tranche de pomme à la fois dans la goulotte d'alimentation et appuyez avec le poussoir en plastique ou en bois.
Fruits fermes	Pommes, poires, kakis	<b>Préparation :</b> lavez tous les fruits et pelez-les si nécessaire. Coupez les fruits en morceaux suffisamment petits pour rentrer. <b>Bouton d'extraction de jus :</b> serrez le bouton au $\frac{3}{4}$ . Desserrez ou serrez si nécessaire. <b>Procédure d'extraction du jus :</b> insérez un morceau de fruit à la fois dans la goulotte d'alimentation et appuyez avec le poussoir en plastique ou en bois.
Fruits plus tendres	Raisins, tomates	<b>Préparation :</b> lavez tous les fruits et pelez-les si nécessaire. Coupez les fruits en morceaux suffisamment petits pour rentrer facilement dans la goulotte d'alimentation. <b>Bouton d'extraction de jus :</b> serrez le bouton d'un quart à un demi-tour. Desserrez ou serrez si nécessaire. <b>Procédure d'extraction du jus :</b> introduisez un morceau de fruit ou une petite quantité de morceaux à la fois dans la goulotte d'alimentation, en vous assurant de ne pas trop la remplir. Appuyez avec le poussoir en plastique ou en bois.

## UTILISATION DE VOTRE GREENSTAR ELITE

Type de produit	Exemples	Préparation
Agrumes	Oranges, pamplemousse	<p><b>Préparation:</b> lavez les fruits et retirez la peau et autant des pépins que possible. Séparez le fruit en quartiers.</p> <p><b>Bouton d'extraction de jus :</b> serrez le bouton à mi-chemin. Desserrez ou serrez si nécessaire.</p> <p><b>Procédure d'extraction du jus :</b> insérez un quartier à la fois dans la goulotte d'alimentation et appuyez avec le poussoir en plastique ou en bois.</p>
Cocktail de jus		<p>Si vous faites des cocktails de jus de différents légumes et fruits, préparez le produit selon les instructions ci-dessus. Introduisez le produit dans la goulotte d'alimentation, en alternant entre les produits tendres et les produits durs. Par exemple, lorsque vous faites un mélange de carottes et d'agropyres, insérez un morceau de carotte, puis un peu d'agropyre, suivi d'un morceau de carotte, etc.</p>
Autres fruits et légumes		<p>Votre Greenstar Elite est capable d'extraire le jus d'une grande variété de légumes et de fruits. Lorsque vous essayez de nouveaux types de produits, faites des essais avec les différents tamis et avec différentes positions du bouton d'extraction du jus. Si vous remarquez que le produit remonte dans la goulotte d'alimentation, desserrez le bouton d'extraction du jus et laissez fonctionner la machine pendant quelques secondes. Si la machine ne se dégage pas, desserrez le bouton d'extraction du jus encore plus ou enlevez-le. Introduisez toujours les fruits et légumes dans la machine avec lenteur, un morceau à la fois, pour obtenir de meilleurs résultats.</p> <p><b>Note:</b> le Greenstar Elite ne pourra pas extraire le jus des fruits extrêmement tendres tels que les fraises ou les bananes, dans la mesure où il n'y a pas suffisamment de matière derrière la pulpe pour être repoussée au travers du tamis. Il est préférable de mélanger les fruits de ce type, ou bien de les utiliser en sorbet au fruit.</p>

### B. Homogénéiser : faire des pâtés et transformation de base des aliments

Suivez ces instructions lorsque vous préparez de délicieux pâtés ou des imitations de viande, si vous râpez des noix ou des haricots qui ont été trempés ou si vous réalisez d'autres recettes où une préparation de base des aliments est nécessaire. Les aliments seront préparés par les doubles engrenages et ils seront éjectés dans la sortie de jus en dessous.

1. Assemblez votre Greenstar Elite avec le **tamis d'homogénéisation** et le **bouton d'extraction du jus**.
2. Placez la **cruche à jus** ou un autre récipient pour récupérer les aliments sous la **sortie à jus**.
3. Placez un grand bol ou un sac en plastique sous la **sortie de pulpe** pour récupérer les aliments susceptibles de sortir de la sortie de pulpe.
4. Préparez vos ingrédients et introduisez-les dans la goulotte d'alimentation, une petite quantité à la fois. Appuyez avec le poussoir voulu.

## C. Faire des gressins crus, des mochi, des sorbets au fruit, etc.

Suivez ces instructions lorsque vous préparez de délicieux gressins crus à partir de noix et de grains trempés, du mochi avec du riz collant, du sorbet avec des fruits congelés ou d'autres recettes qui nécessitent une consistance plus onctueuse. Ces instructions utilisent toute la puissance de préparation des aliments du Greenstar Elite. La nourriture préparée sera éjectée sous une forme cylindrique par la sortie de pulpe à l'avant de la machine.

1. Assemblez votre Greenstar Elite avec le **tamis pour gressin** et le **bouton à gressin**.
2. Placez un grand bol sous la **sortie de la pulpe** pour récupérer les aliments qui sont éjectés.
3. Préparez vos ingrédients et introduisez-les dans la goulotte d'alimentation, une petite quantité à la fois. Appuyez avec le poussoir voulu.
  - a. Lorsque vous préparez des gressins crus, utilisez un couteau pour couper les gressins à la longueur voulue quand ils sortent de la sortie de pulpe.
  - b. Lorsque vous préparez du beurre de noix, si vous avez besoin d'obtenir une consistance onctueuse, essayez d'ajouter de l'huile de noix, disponible dans toutes les boutiques d'alimentation diététique.

## D. Faire des pâtes (avec l'accessoire en option)

Comment assembler le kit pour faire les pâtes sur votre machine.

Instructions:

1. Fixez le boîtier de double engrenage à la structure de la extracteur de jus.
2. Retirez les doubles engrenages surdimensionnés de la machine et insérez la vis à pâte dans l'arbre d'entraînement du moteur (du côté gauche lorsque vous regardez l'avant du boîtier).
3. Placez le guide de pâte sur la vis à pâte en vous assurant que le côté allongé du guide de pâte \ soit dirigé vers le côté gauche.
4. Sélectionnez le réglage de pâte que vous souhaitez à partir des deux formes offertes par le tamis pour pâtes et installez-le sur le guide de pâte.
5. Fermez chaque loquet sur les pattes du tamis pour pâtes et refermez les loquets en les repoussant sur les pattes en métal.
6. La machine est à présent prête pour faire des pâtes.

**Remarque :** assurez-vous que la pâte ne soit pas trop humide.



Tamis pour pâtes



Guide pour pâtes



Guide pour pâtes

# NETTOYAGE ET ENTRETIEN

Il est extrêmement important de conserver votre extracteur de jus propre à la fois pour votre santé et pour maintenir les performances optimales de votre machine. Nous vous recommandons de nettoyer la extracteur de jus après chaque utilisation, avant que les particules d'aliments n'aient la chance de sécher. Puisque le Greenstar Elite extrait si bien les minéraux, tels que le calcium, des produits, nous vous recommandons de nettoyer toutes les pièces d'extraction du jus immédiatement après utilisation pour éviter les accumulations gênantes de minéraux.

## Nettoyage de la Greenstar Elite

1. Éteignez votre Greenstar Elite et débranchez-le de la prise électrique. Débranchez le cordon d'alimentation de l'arrière de l'appareil.
2. Démontez la machine selon les instructions de la page 29 et plongez les composants d'extraction du jus dans l'eau chaude.
3. À l'aide de la brosse de nettoyage incluse avec l'appareil, brossez, rincez et frottez ces composants sous l'eau chaude avec un léger détergent.
4. Utilisez la brosse de nettoyage pour éliminer tout résidu de pulpe sur les doubles engrenages ou sur leur boîtier.
5. Si vous utilisez le tamis fin, brossez en commençant par les coins et éliminez toute accumulation de pulpe.
6. Rincez l'eau savonneuse des composants et séchez-les soigneusement avant de les remonter. Toutes les pièces, à l'exception du capot de sécurité, peuvent se laver au lave-vaisselle.
  - Ne laissez JAMAIS d'eau pénétrer dans la structure principale de la machine.
  - N'utilisez JAMAIS de produits chimiques durs, tels que l'eau de Javel, pour nettoyer les taches de nourriture de la extracteur de jus.
  - Ne faites JAMAIS tomber de pièces de la machine, tout particulièrement les doubles engrenages. Notre garantie ne couvre pas les dommages accidentels.

## CONSEILS PRATIQUES POUR FACILITER LE NETTOYAGE :

**Nettoyage du tamis :** maintenez le tamis sous l'eau courante tout en brossant les résidus de pulpe, d'abord sur la face intérieure du tamis, puis sur la face extérieure. Pour la pulpe qui est fortement incrustée dans les orifices du tamis, essayez de broser autant que possible, faites tremper le tamis dans l'eau pendant quelques heures, puis brossez à nouveau le tamis. Vous pouvez aussi utiliser la face NON AIGUISÉE d'un couteau de table pour gratter la surface intérieure du tamis, puis brossez l'extérieur à l'aide de la brosse de nettoyage.

**Nettoyage de la structure principale (unité motrice) :** coupez l'alimentation de la machine et débranchez-la. Pour nettoyer l'unité motrice de votre extracteur de jus, placez les deux jambes avant au bord de votre évier. À l'aide de la douchette de votre évier, d'une bouteille de pulvérisation remplie d'eau ou d'une bouteille de détergent vide remplie d'eau et munie d'un embout vaporisateur, pulvérisez de l'eau directement sur la plaque avant de la extracteur de jus, où l'arbre d'entraînement, le taquet de fixation et l'engrenage à roue libre se trouvent, afin d'éliminer les résidus de pulpe. Essuyez toutes les surfaces extérieures à l'aide d'un chiffon humide. **NE PLONGEZ JAMAIS L'UNITÉ MOTRICE DANS L'EAU.**

**Multiplés sessions d'extraction de jus :** Si vous voulez faire des jus à plusieurs reprises pendant la journée sans démonter la machine, démontez complètement le bouton d'extraction du jus, placez un grand bol sous la sortie de jus et la sortie de pulpe et versez environ 16 onces (470 ml) d'eau dans la goulotte d'alimentation lorsque la machine est en fonctionnement, avant et après chaque session d'extraction de jus. N'oubliez pas de nettoyer soigneusement la extracteur de jus après la dernière utilisation de la journée.

**Taches :** les taches de couleur sur les extracteur de jus qui ont subi une utilisation importante sont susceptibles d'être difficiles à nettoyer. De nombreuses personnes laissent les taches de couleur comme une distinction honorifique. Mais, si vous voulez essayer de nettoyer les taches de couleur, vous pouvez essayer d'utiliser une solution à 25 %-50 % de vinaigre blanc et d'eau. Laissez tremper les pièces pendant la nuit, puis frottez-les à l'aide de la brosse de nettoyage. Il est possible de répéter cette opération si nécessaire. Extraire le jus de melon vert d'Espagne ou de cantaloup peut également éclaircir les taches.

**Dépôts de calcium et de minéraux sur les doubles engrenages :** après avoir utilisé la machine pendant un certain temps, vous remarquerez peut-être un dépôt de calcium ou de minéraux sur les surfaces des doubles engrenages. Pour éliminer ces dépôts de vos doubles engrenages, essayez l'une des méthodes suivantes :

- Après avoir extrait le jus de carottes, versez une cuillère à soupe de pulpe de carotte dans la goulotte d'alimentation avec deux cuillères à café de sucre cristallisé. Alternez plusieurs fois la pulpe et le sucre, puis faites fonctionner la machine. Démontez et nettoyez soigneusement toutes les pièces d'extraction de jus.
- Mélangez une solution de 4 cuillères à soupe de bicarbonate de soude avec 2 tasses (16 onces - 470 ml) d'eau tiède. Faites tremper les pièces dans la solution pendant la nuit pour desserrer les dépôts de minéraux et éliminer les taches. Lavez les pièces à l'aide de savon et d'eau et utilisez une brosse dure pour éliminer les dépôts de minéraux. Essuyez avec un chiffon pour sécher les pièces.
- Faites passer des amandes trempées dans la machine pour éliminer les dépôts de minéraux des extrémités des doubles engrenages.
- Faites tremper les pièces affectées dans un bain de vinaigre jusqu'au lendemain. Cela permet de décoller le tartre et il devient possible de le nettoyer en brossant. Recommencez si nécessaire.

#### **Autres conseils pratiques**

- Utilisez l'extrémité étroite et pointue de la brosse de nettoyage pour pousser les aliments par la sortie de pulpe.
- Les fruits secs et les noix peuvent être extrêmement collants sur la surface intérieure de la extracteur de jus. Pour éliminer plus facilement les résidus, faites passer quelques tiges de céleri dans la machine avant de la démonter.

# DÉPANNAGE

**BRUITS** : Bien que la extracteur de jus Greenstar Elite soit extrêmement silencieuse, certains bruits sont normaux pendant le fonctionnement. Si vous ne savez pas si les bruits que vous entendez sont normaux :

1. Grincements : votre Greenstar Elite peut grincer pendant le fonctionnement. Pour vérifier s'il s'agit d'un bruit normal, assemblez la machine sans les doubles engrenages ou le tamis et mettez-la en marche. Si vous entendez un grincement, il se peut que votre arbre d'entraînement ait besoin d'être lubrifié. Vous pouvez continuer d'utiliser la machine, même si ce grincement demeure. Si vous souhaitez connaître la procédure de lubrification de l'arbre d'entraînement, veuillez consulter votre centre de service le plus proche.
2. Assemblez entièrement votre extracteur de jus et mettez-la en marche sans ajouter de produit. Vous entendrez le bruit du double engrenage. Vous pourriez entendre un cognement répétitif, ce qui est normal. Les doubles engrenages sont susceptibles de présenter de légères variations et le cognement est considéré comme normal. Cette légère variation n'affecte pas le fonctionnement et elle n'endommagera pas les pièces.
3. Lorsque vous procédez à l'extraction de jus, vous êtes susceptible d'entendre un grincement ou un pépiement, ce qui est également considéré comme normal.

**MOUVEMENTS** : une pression importante s'accumule dans le compartiment d'extraction des jus pendant le fonctionnement. Afin de soulager une partie de cette pression, le Greenstar Elite est conçu pour remuer et fléchir lors de l'extraction de jus pour que les autres parties de la machine ne soient pas endommagées. Cette flexion est normale et ne causera aucun dommage à votre machine.

Symptôme	Solution
La machine ne se met pas en marche	<ul style="list-style-type: none"><li>• Assurez-vous que votre source d'alimentation est active, que la fiche est correctement branchée à l'arrière de la machine et à la prise électrique et que la machine est en marche.</li><li>• Assurez-vous que la puissance nominale de la prise est compatible avec le moteur ainsi qu'il est mentionné sur l'étiquette de sécurité de la machine.</li></ul>
La machine s'arrête en cours de fonctionnement	<ul style="list-style-type: none"><li>• Assurez-vous que la machine soit correctement assemblée.</li><li>• Si la machine est surchargée, utilisez l'interrupteur de marche arrière pour dégager certains des ingrédients.</li></ul>
Engrenages bruyants	<ul style="list-style-type: none"><li>• Assurez-vous que les doubles engrenages sont correctement alignés.</li><li>• Vérifiez qu'aucun matériau dur n'est logé dans les engrenages. Si c'est le cas, débranchez et démontez la machine. Rincez et réessayez.</li><li>• Inspectez vos doubles engrenages pour vérifier qu'ils ne sont pas endommagés. Si vous remarquez le moindre dommage sur les doubles engrenages, cessez l'utilisation et contactez votre centre de service le plus proche.</li></ul>
Le boîtier de la sortie n'est pas installé correctement ou les loquets ne ferment pas correctement.	<ul style="list-style-type: none"><li>• Vérifiez que les doubles engrenages sont correctement installés. Tournez-les légèrement tout en les poussant jusqu'à ce qu'ils s'enclenchent en place.</li></ul>
La pulpe n'est pas éjectée ; les ingrédients remontent dans la goulotte d'alimentation	<ul style="list-style-type: none"><li>• Desserrez le bouton d'extraction de jus</li></ul>

La pulpe est trop humide	<ul style="list-style-type: none"> <li>• Serrez le bouton d'extraction du jus, il est possible que les ingrédients ne soient pas frais.</li> </ul>
De la pulpe sort avec le jus	<ul style="list-style-type: none"> <li>• Assurez-vous que le tamis est bien en position</li> <li>• Serrez le bouton d'extraction de jus</li> </ul>
Faible quantité de jus	<ul style="list-style-type: none"> <li>• Assurez-vous que le bouton d'extraction du jus est fermement fixé.</li> </ul>
Produit bloqué	<ul style="list-style-type: none"> <li>• Placez l'interrupteur en marche arrière une ou deux fois.</li> <li>• Si la extracteur de jus ne se débloque pas, démontez la machine pour éliminer le blocage.</li> </ul>

**AVERTISSEMENT:** n'insérez jamais de couteau, de cuillère ou autre objet étranger dans la goulotte d'alimentation lorsque la machine est en fonctionnement !

FR

## INFORMATIONS CONCERNANT LE PRODUIT

### NORME DE PRODUIT

ARTICLE	Extracteur de jus POUR LÉGUME
MODÈLE	GREENSTAR ELITE (GSE-5000)
RÉGIME ÉLECTRIQUE	Modèles des États Unis : 120 Vca, 60 Hz, 200 W
NOMINAL	EUROPE/ASIE : 220~240 Vca, 50/60 Hz, 200 W
TAILLE	18,25 po x 6,88 po x 12,50 po (464 mm x 175 mm x 318 mm)
POIDS	26,6 livres (12,07 kg)



# WILLKOMMEN

Herzlichen Glückwunsch! Sie sind jetzt stolzer Besitzer einer Greenstar Elite Saftpresse – der neuesten Generation der revolutionären Greenstar Elite Saftpresse. Mit der Greenstar Elite können Sie eine größere Vielfalt an Obst und Gemüse entsaften – von Karotten und Äpfeln bis hin zu Weizengras und Tannennadeln, alles ohne Pause und ohne Umbau! Sie können Ihre Greenstar Elite Saftpresse auch zur Zubereitung anderer leckerer Speisen verwenden, wie zum Beispiel Babynahrung, Grissini, Nussbutter, Pasteten, Sorbets aus gefrorenem Obst und vieles mehr!

Die Greenstar Elite Saftpresse setzt mit ihren fortschrittlichen Jumbo-Zwillingspresswalzen die besten Nährstoffe aus der Natur frei und holt das Meiste aus Ihrem Obst und Gemüse heraus. Die einzigartige Form der Jumbo-Zwillingspresswalzen der Greenstar Elite extrahiert mehr Saft und erzielt eine bessere Leistung als andere Saftpressen mit Zwillingspresswalzen. Die neuen Zwillingspresswalzen sowie weitere Design-Verbesserungen machen den Aufbau, die Benutzung und die Reinigung der Greenstar Elite einfacher als je zuvor.

Die Jumbo-Zwillingspresswalzen sind ein fortschrittliches Antriebsrad-Press-System, das mit nur 110 Umdrehungen pro Minute rotiert und beim Entsaften wenig Wärme erzeugt. In den Jumbo-Zwillingspresswalzen der Greenstar Elite sind außerdem Magnet- und Biokeramik-Technologie verarbeitet. Das Ergebnis ist ein frischerer Saft, der bei einem minimalen Verlust der wertvollen Enzyme und Vitamine länger gelagert werden kann. Die Magnet- und Biokeramik-Technologie in den Jumbo-Zwillingspresswalzen hilft, Ihre frischen Säfte zu stabilisieren und ermöglicht längere Lagerzeiten mit geringerem Enzym- und Nährstoff-Verlust.

Packen Sie Ihre Greenstar Elite vorsichtig aus und vergewissern Sie sich, dass alle Teile vorhanden sind. Nehmen Sie sich auch die Zeit, sich mit Ihrer neuen Saftpresse vertraut zu machen, bevor Sie mit dem Entsaften beginnen. Es ist sinnvoll, Ihre Maschine einige Male zu zerlegen und wieder zusammenzubauen, um richtig zu verstehen, wie alle Teile richtig zusammenpassen. Viele Teile sind als Standardteile enthalten, um das Entsaften für Sie einfacher zu machen und die Vielseitigkeit der Lebensmittelverarbeitung zu verbessern.

Wir empfehlen, alle Teile gründlich mit warmem Wasser und einem milden Reinigungsmittel zu spülen, bevor Sie Ihre Greenstar Elite Saftpresse verwenden. Wenn alle Teile gereinigt sind, ist Ihre Greenstar Elite Saftpresse bereit zum Entsaften. Wir hoffen, Sie genießen Ihr Greenstar Erlebnis und diesen Schritt auf dem Weg zu einer besseren Ernährung und einer besseren Gesundheit.

Bitte nehmen Sie sich die Zeit, um die gesamte Bedienungsanleitung zur ordnungsgemäßen Verwendung und Pflege der Maschine zu lesen. Wenn Sie die Anweisungen in dieser Anleitung befolgen, wird Ihnen Ihre Greenstar Elite Saftpresse viele Jahre Freude bereiten.

# INHALTSVERZEICHNIS

• <b>Willkommen</b> .....	40
• <b>Wichtige Sicherheitshinweise</b> .....	42
• <b>Wichtige Vorsichtsmaßnahmen</b> .....	43
• <b>Greenstar Elite Saftpresse Teile</b> .....	44
A. Grafik Saftpresse	
B. Standardteile	
• <b>Vorbereitung Ihrer Greenstar Elite</b> .....	46
A. Zusammenbau	
B. Zerlegen	
C. Verwendung der Siebeinsätze	
D. Verwendung der Auslass-Schrauben	
E. Verwendung der Stopfer	
F. Verwendung der Tropfschale	
• <b>Benutzung Ihrer Greenstar Elite</b> .....	50
A. Säfte auspressen	
B. Pürieren: Pâtés herstellen und Mixerfunktion	
C. Rohe Grissini, Mochi, Fruchtsorbets usw. herstellen	
D. Pasta herstellen (Modell GSE-5300)	
• <b>Reinigung und Wartung</b> .....	54
A. Reinigung Ihrer Greenstar Elite	
B. Hilfreiche Tipps für eine einfache Reinigung	
• <b>Problembeseitigung</b> .....	56
A. Geräusche	
B. Verschiebungen	
C. Symptome und Lösungen	
• <b>Technische Daten</b> .....	57

DE

# WICHTIGE SICHERHEITSHINWEISE

Bei der Benutzung elektrischer Geräte sollten die folgenden grundlegenden Sicherheitsregeln immer beachtet werden:

1. Lesen Sie alle Anweisungen vor der Inbetriebnahme sorgfältig durch.
2. Stellen Sie den Korpus nie ins Wasser oder in andere Flüssigkeiten, um elektrische Schläge zu vermeiden.
3. Verwenden Sie nur das zugelassene, im Lieferumfang enthaltene Stromkabel oder ein vom Hersteller geliefertes Stromkabel.
4. Schließen Sie das Gerät nur an eine Steckdose an, die mit der Leistung Ihrer Maschine kompatibel ist. Andernfalls wird der Motor beschädigt und die Garantie erlischt.
5. Bei der Benutzung elektrischer Geräte in der Nähe von Kindern ist besondere Vorsicht geboten.
6. Ziehen Sie den Netzstecker aus der Steckdose, wenn das Gerät nicht in Gebrauch ist, sowie vor dem Zerlegen oder dem Zusammenbau und vor der Reinigung.
7. Achten Sie vor dem Einschalten des Motors immer darauf, dass alle Teile richtig befestigt sind.
8. Während die Maschine in Betrieb ist:
  - Berühren Sie keine beweglichen Teile.
  - Versuchen Sie nicht, sie zu zerlegen.
9. Halten Sie im Betriebsmodus niemals Ihre Finger oder andere Fremdkörper wie Löffel, Messer oder sonstige Küchenutensilien in den Einfüllstutzen oder irgendwelche Öffnungen der Saftpresse. Wenn Lebensmittel im Einfüllstutzen feststecken, verwenden Sie einen der mitgelieferten Stopfer, um diese nach unten zu drücken. Wenn dies nicht funktioniert, schalten Sie den Motor ab, ziehen Sie den Netzstecker und zerlegen Sie die Saftpresse, um die restlichen Lebensmittel zu entfernen.
10. Achten Sie darauf, den Schalter nach jedem Gebrauch in die Position „OFF“ zu drehen. Stellen Sie vor dem Zerlegen des Geräts sicher, dass der Motor vollständig stoppt und trennen Sie es vom Stromnetz.
11. Zerlegen Sie nur diejenigen Teile, die für den normalen Betrieb oder Reinigung Ihrer Saftpresse notwendig sind (wie Gehäuse, Zwillingsschneidwalzen, Siebeinsätze). Das Öffnen der Motoreinheit führt zum Erlöschen Ihrer Garantie.
12. Verwenden Sie Ihre Greestar Elite nicht und lassen Sie diese durch einen zertifizierten Techniker überprüfen, um einen Stromschlag oder Verletzungen zu vermeiden, wenn:
  - ein Kabel oder Stecker beschädigt ist
  - Störungen auftreten
  - sie heruntergefallen oder in irgendeiner Weise beschädigt worden ist
13. Die Verwendung von nicht vom Hersteller empfohlenem Zubehör kann Brände, Stromschläge oder Verletzungen verursachen.
14. Ihre Greenstar Elite muss für ordnungsgemäßen und sicheren Betrieb elektrisch geerdet werden. Verwenden Sie nur das mitgelieferte Stromkabel mit Stecker in einer ordnungsgemäß geerdeten Steckdose. Versuchen Sie nicht, den Stecker mit Gewalt in die Steckdose zu stecken, da dies Feuer, Stromschlag oder Verletzungen verursachen kann.
15. Verwenden Sie das Stromkabel nicht als Griff und ziehen oder reißen Sie nie am Kabel, um den Stecker aus der Steckdose zu entfernen.
16. Lassen Sie das Kabel nicht über den Rand eines Tisches oder einer Arbeitsplatte hängen oder in Kontakt mit irgendwelchen heißen Oberflächen wie dem Herd kommen.
17. Nur für den Hausgebrauch in Innenräumen.
18. Falls Ihre Saftpresse nicht ordnungsgemäß funktioniert, lesen Sie bitte den Abschnitt „Wenn Sie den Kundendienst brauchen“.
19. Verwenden Sie das Gerät ausschließlich für die vorgesehenen Zwecke.

**BEWAHREN SIE DIESE ANLEITUNG AUF**

# VORSICHTSMASSNAHMEN

## Do

- **Sehr wichtig!** Wenn Sie die Zwillingsspresswalzen zusammensetzen, achten Sie darauf, die Positionierungspunkte auf der Oberfläche der Presswalzen aneinander auszurichten.
- **10 Minuten Pause nach 30 Minuten Betrieb!** Wenn Sie Ihre Greenstar Elite Saftpresse kontinuierlich benutzen, machen Sie nach jeweils 30 Minuten Dauerbetrieb 10 Minuten Pause. Danach können Sie das Gerät weiter benutzen.
- Stecken Sie vor der Verwendung stets die Schutzabdeckung auf den Einfüllstutzen. Die Maschine funktioniert ohne angebrachte Schutzabdeckung nicht



## Don't

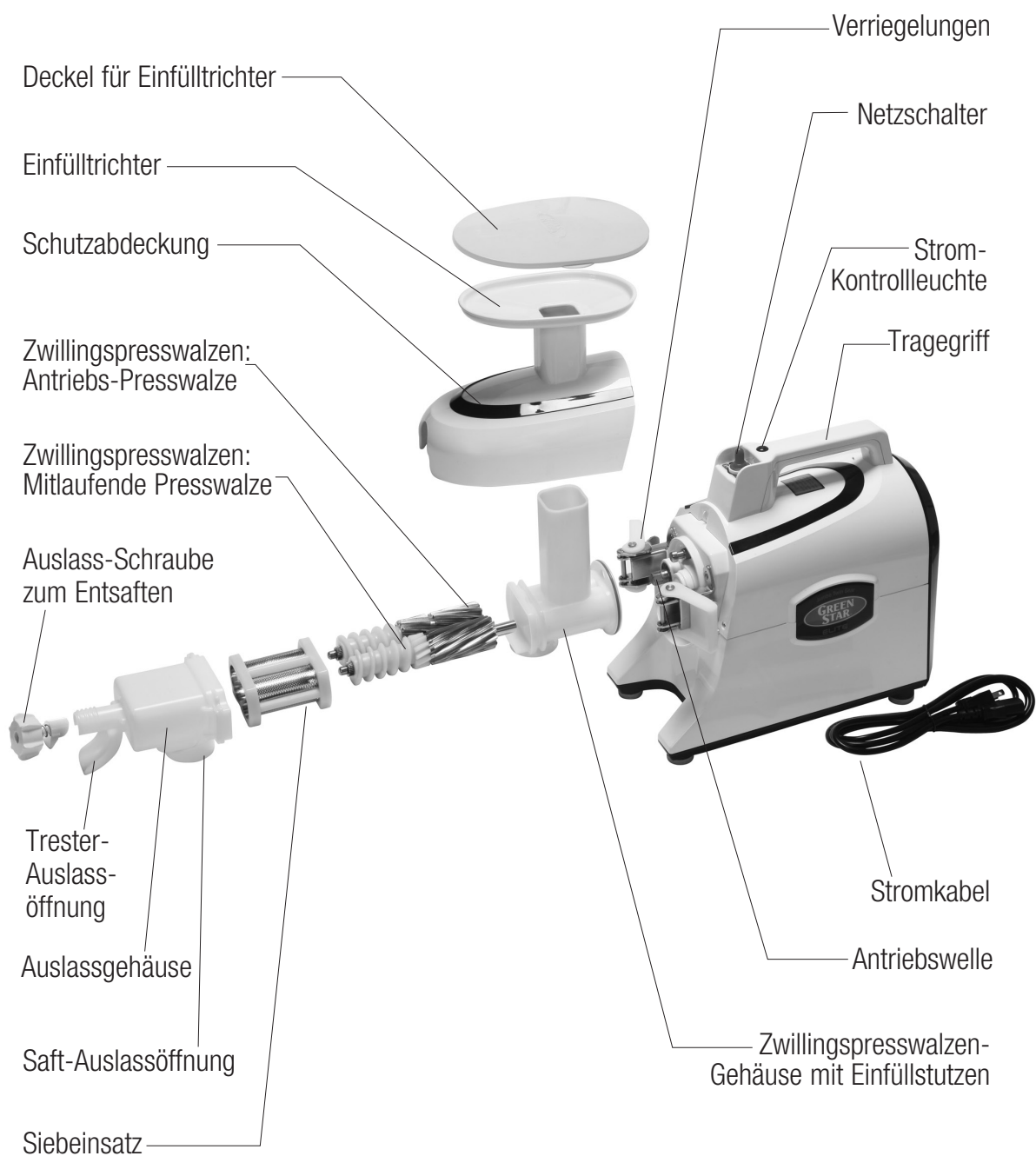
- Heben Sie Ihre Greenstar Elite Saftpresse nicht mit nassen Händen an. Das Gerät ist schwer und kann Ihnen versehentlich aus den Händen rutschen.
- Nicht zerlegen oder zusammenbauen, wenn das Stromkabel an eine Steckdose angeschlossen ist.
- Stecken Sie keine Finger oder Hände in den Einfüllstutzen. Verwenden Sie immer den Stopfer.
- Ziehen Sie den Netzstecker niemals mit nassen Händen aus der Steckdose.
- Bewahren Sie die Saftpresse außerhalb der Reichweite von Kindern auf.
- Verwenden Sie die Greenstar Saftpresse nicht auf instabilem Untergrund.
- Stecken Sie keine Gegenstände wie Messer, Löffel oder Gabeln in den Einfüllstutzen.
- Benutzen Sie die Saftpresse nicht mit Gewalt und überladen Sie den Einfüllstutzen nicht.

**ACHTUNG:** ENTFERNEN SIE NIEMALS DIE SCHUTZABDECKUNG WÄHREND DIE MASCHINE IN BETRIEB IST

DE

# GREENSTAR ELITE JUICE SAFTPRESSE EINZELTEILE

## Grafik Saftpresse



## Standardteile

Packen Sie Ihre Greenstar Elite aus und prüfen Sie, ob alle Teile enthalten sind. Sollten Teile fehlen, wenden Sie sich bitte umgehend an das nächstgelegene autorisierte Service-Center. Es ist sinnvoll, Ihre Maschine einige Male zu zerlegen und wieder zusammenzubauen, um sich vor dem Entsaften mit der Maschine vertraut zu machen.



- |                                                             |                                   |                      |
|-------------------------------------------------------------|-----------------------------------|----------------------|
| 1. Auslass-Schraube zum Entsaften                           | 9. Zwillingsschneidwalzen-Gehäuse | 19. Stromkabel       |
| 2. Auslass-Schraube für Teig                                | 10. Deckel für Einfülltrichter    | 20. Pasta-Set        |
| 3. Auslass-Schraube für weiche Früchte (optionales Zubehör) | 11. Auslassgehäuse                | (optionales Zubehör) |
| 4. Feiner Siebeinsatz                                       | 12. Abtropfschale                 | 20a. Pastavorsatz    |
| 5. Grober Siebeinsatz                                       | 13. Kanne                         | 20b. Pastaschnecke   |
| 6. Püriereinsatz (offener Einsatz)                          | 14. Kunststoff-Stopfer            | 20c. Pastarohr       |
| 7. Einsatz (geschlossener Einsatz)                          | 15. Holz-Stopfer                  | 21. Schutzabdeckung  |
| 8. Jumbo-Zwillingsschneidwalzen-Satz                        | 16. Sieb                          | 22. Hauptteil        |
| 8a. Antriebs-Schneidwalze                                   | 17. Flache Reinigungsbürste       |                      |
| 8b. Mitlaufende Schneidwalze                                | 18. Reinigungsbürste              |                      |

DE

# VORBEREITUNG IHRER GREENSTAR ELITE

## A. Zusammenbau

**WICHTIG:** Versichern Sie sich vor dem Zusammenbau, dass Ihre Greestar Elite nicht an die Steckdose angeschlossen ist.



1. Stecken Sie das **Zwillingspresswalzen-Gehäuse** auf den Hauptteil und schieben Sie es auf dem Hauptteil zurück bis es fest sitzt.



3. Schieben Sie den gewünschten **Einsatz** über den freiliegenden Teil der Zwillingspresswalzen. Siehe Seite 48 für weitere Informationen zur Auswahl des richtigen Einsatzes.

2. **SEHR WICHTIG!** Montieren Sie die **Zwillingspresswalzen** wie folgt:



- Finden Sie die **Positionierungspunkte** am Rand der Walzen.
- Positionieren Sie die Punkte so, dass der einzelne Punkt auf der **mitlaufenden Presswalze** sich zwischen den beiden Punkten auf der **Antriebs-Presswalze** befindet.



4. Schieben Sie das Auslassgehäuse über den Einsatz.

- Halten Sie die Walzen in dieser Position und schieben Sie sie mit dem stählernen Ende voran in das **Zwillingspresswalzen-Gehäuse** – die mitlaufende Presswalze in den rechten und die Antriebs-Presswalze in den linken Steckplatz. Schieben Sie diese so weit zurück wie es geht.

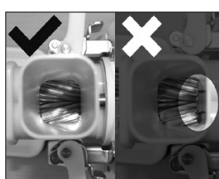


5. Schließen Sie beide **Verriegelungen** über den Ösen des Auslassgehäuses und lassen Sie die Verriegelungen durch Drücken der Metalllaschen einrasten.

**Wenn die Zwillingspresswalzen nicht ordnungsgemäß sitzen, können die Verriegelungen nicht richtig schließen. In diesem Fall entfernen Sie bitte das Auslassgehäuse und den Einsatz, dann drehen und drücken Sie die Presswalzen bis diese einrasten. Anschließend bauen Sie alles wieder zusammen. Beschädigungen an der Maschine durch unsachgemäßen Zusammenbau sind nicht durch die Garantie abgedeckt.**



- Drehen Sie die Presswalzen während Sie drücken, bis sie in vollständig einrasten. Schauen Sie durch den Einfüllstutzen, um zu kontrollieren, ob die Walzen korrekt sitzen. Wenn sie richtig sitzen, ist die Antriebswelle **NICHT** sichtbar. Wenn Sie einen Teil der Antriebswelle sehen, drehen und schieben Sie die Zahnräder weiter bis sie einrasten.



6. Schieben Sie die **Auslass-Schraube zum Entsaften** oder die **Auslass-Schraube für Teig** (Details siehe Seite 48) in die Trester-Auslassöffnung und drehen Sie diese im Uhrzeigersinn fest. Ziehen Sie sie fest bis es nicht weiter geht. Ziehen Sie sie aber nicht mit Gewalt zu stark an.





**7.** Schieben Sie die **Schutzabdeckung** über den Einfüllstutzen.



**8.** Befestigen Sie das **Stromkabel** an der Rückseite der Maschine und stecken Sie das andere Ende in eine Steckdose.

## B. Zerlegen

**WICHTIG:** Stellen Sie vor dem Zerlegen sicher, dass Ihre Saftpresse ausgeschaltet ist.



**1.** Ziehen Sie das Stromkabel aus der Steckdose und aus der Rückseite der Maschine



**6.** Entfernen Sie den Einsatz.



**2.** Entfernen Sie die Schutzabdeckung durch Anheben des Einfülltrichters.



**7.** Schieben Sie die Zwillingsspresswalzen vorsichtig aus dem Zwillingsspresswalzen-Gehäuse.



**3.** Drehen Sie die Auslass-Schraube zum Entsaften oder die Auslass-Schraube für Teig gegen den Uhrzeigersinn, um sie zu lösen. Entfernen Sie diese, indem Sie sie herausziehen.



**8.** Entfernen Sie das Zwillingsspresswalzen-Gehäuse, indem Sie den Einfüllstutzen festhalten und vom Hauptteil wegschieben.



**4.** Lösen Sie beide Verriegelungen durch Ziehen an den Metallaschen. Öffnen Sie die Verriegelungen vom Auslassgehäuse weg.

**Hinweis:** Die Zwillingsspresswalzen Ihrer Saftpresse müssen nie nachgeschärft werden. Sie sind keine Klingen. Sie wirken, indem sie kleine Stückchen Obst oder Gemüse „abbeißen“, ähnlich wie Ihre Zähne. Sie raspeln oder zerschneiden ihr Obst oder Gemüse nicht, so dass sie bei erstaunlich niedriger Drehzahl funktionieren und so empfindliche Nährstoffe und Enzyme bewahren.



**5.** Entfernen Sie das Auslassgehäuse, indem Sie es vom Hauptteil weg abziehen. Beachten Sie, dass der Einsatz und/oder die Zwillingsspresswalzen zusammen mit dem Auslassgehäuse herauskommen können.

DE

# VORBEREITUNG IHRER GREENSTAR ELITE

## C. Verwendung der Einsätze

Das Gerät ist mit mehreren Einsätzen ausgestattet, um die Vielseitigkeit Ihrer Greenstar Elite zu erhöhen.



**1. Feiner Siebeinsatz:** Der feine Siebeinsatz wird zur Herstellung von Gemüse- und Obstsaften mit so wenig Fruchtfleisch wie möglich verwendet. Dieser Siebeinsatz eignet sich für die meisten Arten von Gemüse- und Obstsaften, wie zum Beispiel aus Karotten und anderem Wurzelgemüse, knackigen Äpfeln und anderen härteren Früchten, Spinat, Grünkohl und anderem Blattgemüse, Weizengras und anderen Gräsern, Sellerie und anderen faserigen Stängeln und vielem mehr. Beachten Sie, dass durch den Druck, der sich im Inneren des Siebeinsatzes aufbaut, ein wenig Fruchtfleisch durch die Löcher des Siebeinsatzes gepresst werden kann.



**2. Grober Siebeinsatz:** Der grobe Siebeinsatz wird verwendet, um Gemüse- und Obstsaften mit etwas Fruchtfleisch herzustellen. Dieser Siebeinsatz eignet sich für Säfte, in denen ein wenig Fruchtfleisch im Saft gewünscht wird.



**3. Püriereinsatz (offener Einsatz):** Der Püriereinsatz wird für die Mixerfunktion verwendet. Wenn Sie den Püriereinsatz verwenden, verarbeitet die Greenstar Elite Ihre Zutaten und gibt sie durch die Saft-Auslassöffnung unten aus. Verwenden Sie den Püriereinsatz zum Mahlen von Nüssen und Samen oder um Pâtés, Babynahrung usw. herzustellen. Um den Püriereinsatz zu verwenden, schieben Sie diesen über die Zwillingpresswalzen, so dass die rechteckige Öffnung nach unten zeigt.



**4. Teigeinsatz (geschlossener Einsatz):** Der Teigeinsatz wird für die Mixerfunktion verwendet, wenn eine besonders glatte Konsistenz erforderlich ist. Bei Verwendung des Teigeinsatzes verarbeitet die Greenstar Elite Ihre Zutaten und drückt diese durch die Trester-Auslassöffnung, was eine längere Verarbeitungszeit zur Folge hat. Verwenden Sie den Teigeinsatz mit der Auslass-Schraube für Teig (siehe unten), um Grissini, Mochi, Sorbets, Nussbutter und andere Rezepte herzustellen, für die eine glattere Konsistenz gewünscht ist.

## D. Bedienung der Auslass-Schrauben



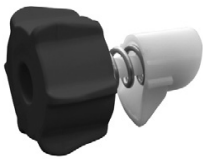
### 1. Auslass-Schraube zum Entsaften:

#### a. Mit dem **feinen Siebeinsatz** oder dem **groben Siebeinsatz**:

Verwenden Sie die Auslass-Schraube zum Entsaften von Obst und Gemüse. Die Auslass-Schraube zum Entsaften steuert, wie stark der Trester gepresst wird, bevor er durch die Trester-Auslassöffnung gedrückt wird. Das Festziehen der Schraube erhöht den Druck, der beim Saftauspressen auf das Obst und Gemüse ausgeübt wird. Festeres Anziehen der Schraube ergibt mehr Saft aus festeren Gemüsesorten wie Karotten, knackigen Äpfeln, Sellerie usw. Allerdings kann eine festgezogene Schraube auch verhindern, dass die Saftpresse den Trester von weicherem Obst oder Gemüse auswirft, wie Weizengras oder Blattgemüse.

- Ziehen Sie die Schraube fest: um die maximale Saftmenge aus festeren Gemüse- und Obstsorten zu extrahieren.
- Lösen Sie die Schraube: um Saft aus weicheren Gemüse- und Obstsorten zu extrahieren. Lösen Sie die Schraube auch für Weizengras und Blattgemüse, um den Tresterauswurf zu erleichtern.

**b. Mit dem Püriereinsatz:** Ziehen Sie die Auslass-Schraube zum Entsaften ganz fest, wenn Sie den Püriereinsatz verwenden, damit die verarbeiteten Zutaten nicht durch die Trester-Auslassöffnung gedrückt werden.



### 2. Auslass-Schraube für weiches Obst (optionales Zubehör):

Verwenden Sie die Auslass-Schraube für weiches Obst genauso wie Sie die Auslass-Schraube zum Entsaften von weicherem Obst oder Gemüse verwenden würden. Die Auslass-Schraube für Beeren hat eine weichere Feder, so dass Trester beim Entsaften weicherer Obst- und Gemüsesorten leichter ausgeworfen werden kann.



### 3. Auslass-Schraube für Teig:

Mit dem **Teigeinsatz:** Verwenden Sie die Auslass-Schraube für Teig mit dem Teigeinsatz, um Grissini, Mochi, Sorbets oder andere Rezepte herzustellen, für die eine glattere Konsistenz gewünscht wird. Die Auslass-Schraube für Teig formt Ihre Zutaten zu einer Rolle, während sie durch die Trester-Auslassöffnung gedrückt werden.

## E. Verwendung der Stopfer



**1. Kunststoff-Stopfer:** Die Kunststoff-Stopfer wurde speziell entwickelt, um Ihr Gemüse nach unten zu drücken, ohne dass dieser die Zwillingsspresswalzen berührt. Drücken Sie fest auf den Stopfer, um das Obst oder Gemüse durch den Einfüllstutzen nach unten zu schieben. Die Kunststoff-Stopfer stoppt, bevor er in Kontakt mit den Zwillingsspresswalzen kommt.



**2. Holz-Stopfer:** Der Holz-Stopfer ist aus Holz gefertigt und kann verwendet werden, um Ihre Zutaten ganz nach unten zu den Zwillingsspresswalzen zu schieben. Der Holz-Stopfer kann die Zwillingsspresswalzen berühren, ohne diese zu beschädigen.

## F. Verwendung der Tropfschale

Schieben Sie einfach das schmale Ende der Tropfschale zwischen die beiden Füße der Greenstar Elite und platzieren Sie die Kanne auf der Tropfschale, damit eventuelle Spritzer keine Flecken auf Ihrer Arbeitsfläche hinterlassen.



# BENUTZUNG IHRER GREENSTAR ELITE

## A. Säfte auspressen

1. Bauen Sie Ihre Greenstar Elite mit dem **feinen Siebeinsatz** oder dem **groben Siebeinsatz** und der **Auslass-Schraube zum Entsaften** zusammen.
2. Legen Sie die **Tropfschale** auf die Arbeitsfläche unter dem Saftauslass und stellen Sie die **Kanne** auf die Tropfschale.
3. Platzieren Sie eine große Schüssel oder Plastiktüte unter der **Trester-Auslassöffnung**, um den Trester aufzufangen.
4. Bereiten Sie Ihr Gemüse und Obst für das Entsaften vor und halten Sie sich beim Entsaften an die folgenden Schritte:

- **Hinweis:** Es ist normal, dass zu Beginn des Entsaftens ein paar Tropfen Saft aus der Trester-Auslassöffnung kommen. Wenn Sie mit dem Entsaften fortfahren, wird nur noch Trester aus der Trester-Auslassöffnung kommen.

Obst- und Gemüsearten	Beispiele	Vorbereitung
Harte Wurzeln	Karotten, Rote Beete	<p><b>Vorbereitung:</b> Waschen Sie das Obst und Gemüse und schneiden Sie es in lange, dünne Stücke, die leicht durch den Einfüllstutzen passen. Große Karotten sollten der Länge nach halbiert werden.</p> <p><b>Auslass-Schraube zum Entsaften:</b> Ziehen Sie die Auslass-Schraube zum Entsaften fest an.</p> <p><b>Das Entsaften:</b> Führen Sie das spitze Ende der Wurzel durch den Einfüllstutzen ein und drücken Sie mit dem Kunststoff- und Holz-Stopfer auf das stumpfe Ende der Wurzel. Führen Sie jeweils nur ein Stück ein.</p> <p><b>Denken Sie daran:</b> Die Zwillingsschneidwalzen sind keine Klingen – Sie müssen Karotten fest in die langsam drehenden Walzen drücken. Halbieren Sie dickere Karotten der Länge nach für einfacheres Entsaften. Der Kunststoff-Stopfer reicht nicht ganz bis zu den Walzen – versuchen Sie für eine komplette Saftausbeute, mit dem Holz-Stopfer das letzte bisschen Karotte nachzuschieben.</p>
Gräser	Weizengras, Gerstengras	<p><b>Vorbereitung:</b> Schneiden Sie die Gräser auf die gewünschte Länge und spülen Sie sie ab.</p> <p><b>Auslass-Schraube zum Entsaften:</b> Ziehen Sie die Schraube am Anfang vollständig fest. Lösen oder entfernen Sie die Schraube, sobald der erste Tropfen Saft aus der Saft-Auslassöffnung kommt.</p> <p><b>Das Entsaften:</b> Geben Sie eine kleine Handvoll Gras mit den Spitzen voran in den Einfüllstutzen. Drücken Sie es falls erforderlich mit dem Holz- oder Kunststoff-Stopfer nach unten.</p> <p><b>Denken Sie daran:</b> Weizengras enthält eine Chemikalie, die beim Entsaften natürlich schäumt. Es ist kein Grund zur Beunruhigung, wenn Schaum aus der Saft-Auslassöffnung austritt. Um Schaum zu minimieren: Verwenden Sie zum Entsaften immer frisches Weizengras, legen Sie die Walzen und das Weizengras für ca. 2 Stunden vor dem Entsaften oder über Nacht in den Kühlschrank und besprühen Sie das Weizengras beim Entsaften mit etwas kaltem Wasser. Wenn Sie Weizengrassaft mit Karottensaft gemischt mögen, können Sie für die maximale Ausbeute an Weizengrassaft mit minimalem Schaum abwechselnd Weizengras und Karotten entsaften.</p>

		<p><b>Hinweis:</b> Manches Weizengras produziert mehr Schaum als anderes! Wenn Sie bemerken, dass Ihr Weizengras stark schäumt, versuchen Sie eine neue Quelle für Ihr Weizengras zu finden.</p>
Faserige Stangen	Sellerie	<p><b>Vorbereitung:</b> Trennen Sie es in einzelne Stangen und schneiden Sie diese, wenn nötig.</p> <p><b>Auslass-Schraube zum Entsaften:</b> Ziehen Sie die Schraube vollständig fest.</p> <p><b>Das Entsaften:</b> Führen Sie die Stangen mit der blättrigen Seite nach oben in den Einfüllstutzen, jeweils einen Stiel zurzeit. Drücken Sie diesen mit dem Holz- oder Kunststoff-Stopfer nach unten.</p>
Blattgemüse	Spinat, Grünkohl, Löwenzahn	<p><b>Vorbereitung:</b> Waschen Sie das Gemüse und trennen Sie die Blätter.</p> <p><b>Auslass-Schraube zum Entsaften:</b> Ziehen Sie die Schraube am Anfang vollständig fest. Wenn das Gemüse sich im Einfüllstutzen staut, lösen Sie die Schraube.</p> <p><b>Das Entsaften:</b> Rollen Sie die Blätter in eine zylindrische Form und geben Sie sie nacheinander mit der Blattseite voran in den Einfüllstutzen. Drücken Sie diese mit dem Kunststoff- oder Holz-Stopfer nach unten.</p>
Äpfel	Fuji, Granny Smith	<p>Verwenden Sie immer knackigere Apfelsorten wie Fuji und vermeiden weichere Sorten wie Red Delicious oder Gala. Ein guter Test: Wenn Sie in einen Apfel beißen und dieser eine mehlig Konsistenz hat, ist er zu weich zum Entsaften.</p> <p><b>Vorbereitung:</b> Waschen Sie das Obst und schneiden Sie es in kleine Stücke, die leicht durch den Füllschacht passen. Es ist nicht notwendig Äpfel zu schälen, wenn sie gewaschen wurden. Sie können den Apfel entkernen, falls gewünscht.</p> <p><b>Auslass-Schraube zum Entsaften:</b> Die Schraube sollte zwischen halb und komplett angezogen sein. Wenn die Apfelstücke sich im Einfüllstutzen stauen, lösen Sie die Schraube.</p> <p><b>Das Entsaften:</b> Lassen Sie jeweils ein Stück Apfel in den Einfüllstutzen fallen und drücken Sie es mit dem Kunststoff- oder Holz-Stopfer nach unten.</p>
Festes Obst	Äpfel, Birnen, Kaki	<p><b>Vorbereitung:</b> Waschen Sie alle Früchte und schälen Sie sie gegebenenfalls. Schneiden Sie das Obst in kleine Stücke, die leicht durch den Einfüllstutzen passen.</p> <p><b>Auslass-Schraube zum Entsaften:</b> Ziehen Sie die Schraube <math>\frac{3}{4}</math> an. Bei Bedarf lösen oder nachziehen.</p> <p><b>Das Entsaften:</b> Lassen Sie jeweils ein Stück Obst in den Einfüllstutzen fallen und drücken Sie es mit dem Kunststoff- oder Holz-Stopfer nach unten.</p>
Weichere Früchte	Trauben, Tomaten	<p><b>Vorbereitung:</b> Waschen Sie alle Früchte und schälen Sie sie gegebenenfalls. Schneiden Sie das Obst in kleine Stücke, die leicht durch den Einfüllstutzen passen.</p> <p><b>Auslass-Schraube zum Entsaften:</b> Ziehen Sie die Schraube ein Viertel bis zur Hälfte an. Bei Bedarf lösen oder nachziehen.</p> <p><b>Das Entsaften:</b> Lassen Sie ein Stück Obst oder eine kleine Handvoll zurzeit in den Einfüllstutzen fallen und überfüllen Sie den Einfüllstutzen nicht. Drücken Sie diese mit dem Kunststoff- oder Holz-Stopfer nach unten.</p>

## BENUTZUNG IHRER GREENSTAR ELITE

Zitrusfrüchte	Orangen, Grapefruit	<p><b>Vorbereitung:</b> Waschen Sie die Früchte und entfernen Sie die Schale. Teilen Sie die Früchte in Keile.</p> <p><b>Auslass-Schraube zum Entsaften:</b> Ziehen Sie die Schraube zur Hälfte an. Bei Bedarf lösen oder nachziehen.</p> <p><b>Das Entsaften:</b> Lassen Sie jeweils ein Stück in den Einfüllstutzen fallen und drücken Sie es mit dem Kunststoff- oder Holz-Stopfer nach unten.</p>
Saft-Cocktails		<p>Wenn Sie Cocktails aus verschiedenen Gemüse- und Obst-Kombinationen machen möchten, bereiten Sie das Obst und Gemüse entsprechend der Anweisungen oben vor. Geben Sie die Zutaten in den Einfüllstutzen, abwechselnd harte und weiche Stücke. Wenn Sie zum Beispiel eine Karotten/Weizengras-Kombination machen möchten, entsaften Sie ein Stück Karotte, dann eine Handvoll Weizengras, dann ein weiteres Stück Karotte usw.</p>
Andere Obst- und Gemüsesorten		<p>Ihre Greenstar Elite kann eine große Bandbreite von Gemüse- und Obstsorten entsaften. Wenn Sie neue Sorten ausprobieren, experimentieren Sie mit den Siebeinsätzen und mit unterschiedlichen Positionen der Auslass-Schraube zum Entsaften. Wenn Sie feststellen sollten, dass sich das Obst oder Gemüse im Einfüllstutzen staut, lösen Sie die Auslass-Schraube zum Entsaften und lassen Sie das Gerät ein paar Sekunden laufen. Wenn das Gerät nicht frei wird, lösen Sie die Auslass-Schraube zum Entsaften weiter oder entfernen Sie diese ganz. Für beste Ergebnisse geben Sie Gemüse und Früchte immer langsam und Stück für Stück in das Gerät.</p> <p><b>Hinweis:</b> Die Greenstar Elite kann keine sehr weichen Früchte wie Erdbeeren oder Bananen entsaften, da diese nicht ausreichend festes Material um das Fruchtfleisch haben, um gegen den Siebeinsatz gepresst zu werden. Diese Arten von Früchten sind besser zum Mixen oder für Sorbets geeignet.</p>

### B. Pürieren: Pâtés herstellen und Mixerfunktion

Befolgen Sie diese Anweisungen, wenn Sie leckere Pasteten oder Fleischersatz herstellen oder wenn Sie eingeweichte Nüsse oder Bohnen mahlen oder wenn Sie andere Rezepte herstellen, für die die Mixerfunktion benötigt wird. Die Zutaten werden von den Zwillingsspresswalzen verarbeitet und durch die Saft-Auslassöffnung unten ausgeworfen.

1. Bauen Sie Ihre Greenstar Elite mit dem **Püriereinsatz** und der **Auslass-Schraube zum Entsaften** zusammen.
2. Stellen Sie die **Kanne** oder einen anderen Auffangbehälter für das fertig gemixte Produkt unter die **Saft-Auslassöffnung**.
3. Positionieren Sie eine große Schüssel oder eine Plastiktüte unter der **Trester-Auslassöffnung**, um Lebensmittel aufzufangen, die aus der Trester-Auslassöffnung kommen könnten.
4. Bereiten Sie Ihre Zutaten vor und geben Sie diese in kleinen Portionen, jeweils eine Handvoll zurzeit, in den Einfüllstutzen. Drücken Sie diese mit dem gewünschten Stopfer nach unten.

### C. Rohe Grissini, Mochi, Fruchtsorbets usw. herstellen

Befolgen Sie diese Anweisungen, wenn Sie leckere rohe Grissini aus eingeweichten Nüssen und Getreide, Mochi aus Klebreis, Sorbets aus gefrorenen Früchten oder andere Rezepte zubereiten möchten, für die eine glattere Konsistenz erforderlich ist. Diese Anweisungen nutzen die komplette Mixerleistung der Greenstar Elite. Die verarbeiteten Zutaten werden in einer zylindrischen Form durch die Trester-Auslassöffnung an der Vorderseite der Maschine ausgeworfen.



1. Bauen Sie Ihre Greenstar Elite mit dem **Teigeinsatz** und der **Auslass-Schraube für Teig** zusammen.
2. Stellen Sie eine große Schüssel unter die **Trester-Auslassöffnung**, um das gemixte Produkt aufzufangen.
3. Bereiten Sie Ihre Zutaten vor und geben Sie diese in kleinen Portionen, jeweils eine Handvoll zurzeit, in den Einfüllstutzen. Drücken Sie diese mit dem gewünschten Stopfer nach unten.
  - a. Verwenden Sie für die Herstellung roher Grissini ein Messer, um die Grissini auf die gewünschte Länge zu schneiden, während sie aus der Trester-Auslassöffnung kommen.
  - b. Wenn Sie für die Zubereitung von Nussbutter eine glattere Konsistenz wünschen, versuchen Sie, ein entsprechendes Nussöl hinzuzugeben, das in Naturkostläden erhältlich ist.

## D. Herstellung von Pasta (mit Sonderzubehör)

Zusammenbau des Pasta-Sets in Ihrer Maschine.

Anleitung:

1. Befestigen Sie das Zwillingsspresswalzen-Gehäuse am Gehäuse der Saftpresse.
2. Entfernen Sie die Jumbo-Zwillingsspresswalzen aus der Maschine und legen Sie die Pastaschnecke in die Motorantriebswelle (von vorn gesehen auf der linken Seite).
3. Legen Sie das Pastarohr über die Pastaschnecke, so dass die lange Seite des Pastarohrs nach links zeigt.
4. Wählen Sie die gewünschte Pasta-Einstellung aus den beiden Formen auf dem Pastavorsatz und stecken Sie diesen auf das Pastarohr.
5. Schließen Sie beide Verriegelungen über den Ösen des Pastavorsatzes und lassen Sie die Verriegelungen durch Drücken der Metallaschen einrasten.
6. Die Maschine ist jetzt bereit für die Pasta-Herstellung.

**Hinweis:** Stellen Sie sicher, dass der Teig nicht zu feucht ist.



**Pastavorsatz**



**Pastarohr**



**Pastaschnecke**

DE



# REINIGUNG UND WARTUNG

Ihre Saftpresse sauber zu halten ist sowohl für Ihre Gesundheit als auch für die Leistung der Maschine extrem wichtig. Wir empfehlen, die Saftpresse sofort nach jedem Gebrauch zu reinigen, bevor Speisereste antrocknen können. Da die Greenstar Elite Mineralien, wie zum Beispiel Kalzium, so gut aus dem Obst und Gemüse extrahiert, empfehlen wir, alle Teile der Saftpresse sofort nach dem Gebrauch zu reinigen, um hartnäckige Mineralien-Ablagerungen zu verhindern.

## Reinigung der Greenstar Elite

1. Schalten Sie Ihre Greenstar Elite aus und ziehen Sie den Netzstecker aus der Steckdose. Entfernen Sie das Stromkabel aus der Rückseite der Maschine.
2. Zerlegen Sie die Maschine gemäß den Anweisungen auf Seite 47 und tauchen Sie die Einzelteile in warmes Wasser.
3. Bürsten, spülen und schrubben Sie die Komponenten mit der mitgelieferten Reinigungsbürste unter fließendem warmem Wasser und mit einem milden Reinigungsmittel.
4. Verwenden Sie die Reinigungsbürste, um alle Tresterreste von den Zwillingsspresswalzen und den Gehäusen zu entfernen.
5. Wenn Sie den feinen Siebeinsatz verwenden, bürsten Sie von den Ecken weg und entfernen Sie Trester-Ablagerungen.
6. Spülen Sie das Seifenwasser von allen Teilen ab und trocknen Sie sie vor dem Zusammensetzen gründlich ab.  
Alle Teile, außer der Schutzabdeckung, sind spülmaschinenfest.
  - Lassen Sie NIEMALS Wasser in den Hauptteil der Maschine eindringen.
  - Verwenden Sie NIEMALS aggressive Chemikalien, wie Bleichmittel, um Lebensmittelflecken von der Saftpresse zu entfernen.
  - Lassen Sie NIEMALS irgendwelche Teile fallen, insbesondere die Zwillingsspresswalzen. Unsere Garantie deckt keine Unfallschäden ab.

## HILFREICHE TIPPS FÜR DIE EINFACHE REINIGUNG:

**Reinigung des Siebeinsatzes:** Halten Sie den Siebeinsatz unter fließendes Wasser während Sie Fruchtfleisch-Rückstände zuerst von der Innenseite, dann von der Außenseite des Siebeinsatzes entfernen. Wenn Fruchtfleisch in den Löchern des Siebeinsatzes festsetzt, versuchen Sie zunächst so viel wie möglich wegzubürsten, weichen Sie den Siebeinsatz dann einige Stunden in Wasser ein und schrubben ihn dann erneut. Sie können auch versuchen, mit der stumpfen Seite eines Tafelmessers entlang der inneren Oberfläche des Siebeinsatzes zu schaben und die Außenseite mit der Reinigungsbürste schrubben.

**Reinigung des Hauptteils (Motoreinheit):** Schalten Sie die Maschine aus und ziehen Sie den Stecker. Um die Motoreinheit Ihrer Saftpresse zu reinigen, positionieren die beiden vorderen Füße über dem Rand der Spüle. Sprühen Sie Wasser entweder mit dem Brausenaufsatz Ihres Wasserhahns, einer mit Wasser gefüllten Sprühflasche oder einer leeren Reinigungsmittelflasche mit Spritzverschluss direkt auf die Frontplatte der Saftpresse, wo die Antriebswelle, der Montagepunkt und die mitlaufende Presswalze sitzen, um Fruchtfleisch-Rückstände zu entfernen. Wischen Sie andere Außenflächen mit einem feuchten Tuch ab. TAUCHEN SIE DIE MOTOREINHEIT NIEMALS IN WASSER.

**Mehrere Saftpress-Vorgänge:** Wenn Sie über den ganzen Tag verteilt mehrmals Säfte pressen möchten, ohne die Maschine zu zerlegen, entfernen Sie die Auslass-Schraube zum Entsaften, stellen Sie eine große Schüssel unter die Saft-Auslassöffnung und die Trester-Auslassöffnung und gießen

Sie vor und nach jedem Entsaften etwa 16 Ounces (0,5 Liter) Wasser in den Einfüllstutzen, während die Maschine läuft. Stellen Sie sicher, dass die Saftpresse nach dem letzten Entsaften des Tages gründlich gereinigt wird.

**Flecken:** Farbige Flecken auf den Teilen einer viel genutzten Saftpresse sind möglicherweise schwer zu entfernen. Viele Leute betrachten solche farbigen Flecken quasi als „Ehrenabzeichen“. Aber wenn Sie probieren möchten, die Farbflecken zu entfernen, versuchen Sie, die Teile über Nacht in einer 25 %- bis 50 %-igen Essig-Wasser-Lösung einzuweichen und dann mit der Reinigungsbürste zu schrubben. Dies kann bei Bedarf wiederholt werden. Das Entsaften grüner Honigmelonen oder Cantaloupe-Melonen kann Flecken ebenfalls bleichen.

**Kalzium- und Mineralablagerungen auf den Zwillingsspresswalzen:** Wenn sie die Maschine eine Weile benutzt haben, stellen Sie womöglich Kalzium- oder Mineralablagerungen auf den Oberflächen der Zwillingsspresswalzen fest. Um diese Ablagerungen von den Zwillingsspresswalzen zu entfernen, versuchen Sie eine der folgenden Methoden:

- Geben Sie nach dem Entsaften von Karotten einen Esslöffel Karotten-Trester zusammen mit zwei Teelöffeln Kristallzucker in den Einfüllstutzen. Geben Sie einige Male abwechselnd Karotten-Trester und Zucker hinein und lassen Sie die Maschine dann laufen. Zerlegen Sie die Maschine und reinigen Sie alle Einzelteile gründlich.
- Lösen Sie vier Esslöffel Backpulver in 2 Tassen (16 oz) Wasser auf. Weichen Sie die Einzelteile über Nacht in der Lösung ein, um Mineralablagerungen zu lösen und Flecken zu entfernen. Waschen Sie die Teile mit Wasser und Spülmittel ab und entfernen Sie Mineralablagerungen mit einer harten Bürste. Trocknen Sie alles mit einem Handtuch ab.
- Lassen Sie eingeweichte Mandeln durch die Maschine laufen, um Mineralablagerungen von den Spitzen der Zwillingsspresswalzen zu entfernen.
- Weichen Sie die betroffenen Teile über Nacht in einem reinen Essig-Bad ein. Dies lockert die Kruste, so dass viel davon abgebürstet werden kann. Bei Bedarf wiederholen

#### **Weitere hilfreiche Tipps**

- Verwenden Sie das schmale, spitze Ende der Reinigungsbürste, um Essensreste durch die Trester-Auslassöffnung hinaus zu drücken.
- Getrocknete Früchte und Nüsse können an den Innenflächen der Saftpresse festkleben. Um Rückstände leichter entfernen zu können, lassen Sie ein paar Stangen Sellerie durch die Maschine laufen, bevor Sie sie zerlegen.

# PROBLEMBEHEBUNG

**GERÄUSCHE:** Die Greenstar Elite Saftpresse ist sehr leise, aber trotzdem sind Betriebsgeräusche normal. Wenn Sie unsicher sind, ob bestimmte wahrgenommene Geräusche normal sind:

1. Quietschen: Ihre Greenstar Elite kann während des Betriebs quietschende Geräusche machen. Um zu überprüfen, ob dies normal ist, bauen Sie die Maschine ohne Zwillingpresswalzen und Siebeinsatz zusammen und schalten Sie sie ein. Wenn Sie dann ein Quietschen hören, könnte Ihre Antriebswelle mehr Schmierung benötigen. Sie können die Maschine weiterhin benutzen, auch wenn Sie dieses Quietschen hören. Wenn Sie Anweisungen zur Schmierung der Antriebswelle wünschen, wenden Sie sich bitte an das nächstgelegene Service-Center.
2. Bauen Sie Ihre Saftpresse zusammen und schalten Sie sie ein, ohne Obst oder Gemüse hinzugeben. Sie werden das Geräusch der Zwillingpresswalzen hören. Sollte ein konstantes hämmerndes Geräusch zu hören sein, ist das normal. Die Zwillingpresswalzen können geringfügige Abweichungen aufweisen und das hämmernde Geräusch ist deshalb normal. Solche geringfügigen Abweichungen haben keinen Einfluss auf die Funktion und beschädigen keine anderen Teile.
3. Während des Entsaftens hören Sie vielleicht ein Quietschen oder Zirpen, das ebenfalls normal ist.

**VERSCHIEBUNGEN:** Im Betrieb wird in der Entsaftungs-Kammer ein hoher Druck aufgebaut. Um diesen Druck zu mildern, ist die Greenstar Elite so konzipiert, dass sie beim Entsaften wackeln und sich verbiegen kann, um Schäden an anderen Teilen der Maschine zu verhindern. Dieses Verbiegen ist normal und wird nicht zu Schäden an der Maschine führen.

Symptom	Lösung
Das Gerät lässt sich nicht einschalten	<ul style="list-style-type: none"> <li>• Stellen Sie sicher, dass Ihre Stromquelle funktioniert, dass der Stecker korrekt an den hinteren Teil der Maschine und die Steckdose angeschlossen ist und das Gerät eingeschaltet ist.</li> <li>• Stellen Sie sicher, dass die elektrische Leistung der Steckdose mit dem Motor kompatibel ist, wie auf dem Sicherheitsetikett der Maschine angegeben.</li> </ul>
Maschine stoppt im Betrieb	<ul style="list-style-type: none"> <li>• Stellen Sie sicher, dass die Maschine korrekt zusammengebaut ist.</li> <li>• Wenn die Maschine überlastet ist, verwenden Sie den Rückwärtsgang („Reverse“), um einige der Zutaten zu lösen und zu entfernen.</li> </ul>
Laute Presswalzen	<ul style="list-style-type: none"> <li>• Stellen Sie sicher, dass die Zwillingpresswalzen richtig ausgerichtet sind.</li> <li>• Prüfen Sie, ob harte Stückchen in den Presswalzen festklemmen. Wenn ja, schalten Sie das Gerät aus, ziehen Sie den Stecker und zerlegen Sie die Maschine. Abspülen und erneut versuchen.</li> <li>• Überprüfen Sie die Zwillingpresswalzen auf Schäden. Wenn Sie einen Schaden an den Zwillingpresswalzen feststellen, verwenden Sie das Gerät nicht weiter und rufen Sie das nächstgelegene Service-Center an.</li> </ul>
Das Auslassgehäuse passt nicht richtig oder die Verriegelungen schließen nicht richtig.	<ul style="list-style-type: none"> <li>• Überprüfen Sie, ob die Zwillingpresswalzen richtig sitzen. Drehen und drücken Sie diese bis sie einrasten.</li> </ul>
Trester wird nicht ausgeworfen; Zutaten kommen durch den Einfüllstutzen zurück	<ul style="list-style-type: none"> <li>• Lösen Sie die Auslass-Schraube zum Entsaften</li> </ul>
Trester ist zu nass	<ul style="list-style-type: none"> <li>• Ziehen Sie die Auslass-Schraube zum Entsaften fester an, Zutaten sind evtl. nicht frisch</li> </ul>
Trester wird zusammen mit dem Saft ausgeworfen	<ul style="list-style-type: none"> <li>• Stellen Sie sicher, dass der Siebeinsatz richtig positioniert ist</li> <li>• Ziehen Sie die Auslass-Schraube zum Entsaften fest</li> </ul>

Geringe Saftmenge	<ul style="list-style-type: none"> <li>• Stellen Sie sicher, dass die Auslass-Schraube zum Entsaften angezogen ist.</li> </ul>
Material eingeklemmt	<ul style="list-style-type: none"> <li>• Legen Sie den Schalter ein- oder zweimal in den Rückwärtsgang.</li> <li>• Wenn es sich nicht löst, zerlegen Sie die Maschine, um Blockaden zu entfernen.</li> </ul>

**ACHTUNG:** Stecken Sie niemals Messer, Löffel oder andere Fremdkörper in den Einfüllstutzen, während das Gerät in Betrieb ist!

DE

## TECHNISCHE DATEN

### PRODUKTNORM

ARTIKEL	GEMÜSE-SAFTPRESSE
MODELL	GREENSTAR ELITE (GSE-5000)
LEISTUNGSANGABEN	USA-Modelle: 120 V, 60 Hz, 200 W
	EUROPA/ASIEN: 220~240 V AC, 50/60 Hz, 200 W
GRÖSSE	464 mm x 175 mm x 318 mm (18,25" x 6,88" x 12,50")
GRÖSSE	12,07 kg (26,6 Pfund )

# BIENVENIDO

¡Felicidades! Es usted el feliz propietario de un Greenstar Elite, la nueva generación del revolucionario extractor de zumo Greenstar Juice Extractor. Con el Greenstar Elite, puede extraer el zumo de una gran variedad de frutas y verduras – desde zanahorias a manzanas, pasando por pasto de trigo o agujas de pino, y sin necesidad de parar y de cambiar las piezas. Su Greenstar Elite Juice Extractor también le permite preparar los purés de su hijo, colines, mantequilla de todo tipo de nueces, patés, sorbetes de frutas y mucho más.

El Greenstar Elite Juice Extractor es la nueva generación de la legendaria línea Greenstar de extractores de zumo que le permiten disfrutar para su alimentación de la mejor que le ofrece la naturaleza. Greenstar Elite utiliza el sistema avanzado de Doble Engranaje Jumbo. La forma única del doble engranaje Greenstar permite extraer más zumo y le asegura un rendimiento más elevado que el de los doble mecanismos de otros extractores de zumo. Al nuevo engranaje doble se añaden otras mejoras de diseño que hacen que el Greenstar Elite sea aún más fácil de montar, de usar y de limpiar que nunca.

El doble engranaje “Jumbo Twin Gears” consiste en un sistema de impulsores de presión que rota a una velocidad baja de 110 rpm y genera poco calor mientras extrae el zumo. Los Jumbo Twin Gears poseen una tecnología magnética y biocerámica que produce un zumo más fresco y que se conserva más tiempo, con una pérdida mínima del contenido natural de vitaminas y encimas del zumo.

Asegúrese de sacar con cuidado su Greenstar Elite y compruebe que no falta ninguna pieza. Tómese el tiempo necesario para familiarizarse con su extractor de zumo antes de empezar a utilizarlo. Puede ser una buena idea desmontarlo y volverlo a montar un par de veces para acordarse bien de cómo están montadas las piezas entre ellas. Varias piezas han sido incluidas como componentes estándar para hacer que el uso del extractor sea lo más sencillo posible y pueda usarlo en multitud de preparaciones.

Le recomendamos lavar todas las piezas con agua caliente y un detergente suave antes de usar su Greenstar Elite por primera vez. Ahora usted ya está listo para empezar a extraer zumos con su Greenstar Elite. Le deseamos que disfrute de su experiencia con Greenstar, que le acompaña en su viaje hacia una mejor alimentación y salud.

Por favor tómese el tiempo de leer el manual de instrucciones completo, para saber cómo usar y cuidar correctamente su Greenstar. Si sigue estas instrucciones, su Greenstar le acompañará durante largos años.

# TABLA DE CONTENIDOS

• <b>Bienvenido</b> .....	58
• <b>Importante Salvaguardia</b> .....	60
• <b>Precauciones de seguridad importantes</b> .....	61
• <b>Piezas del extractor de zumo Greenstar Elite</b> .....	62
A. Diagrama	
B. Piezas estándar	
• <b>Puesta en funcionamiento de su Greenstar Elite</b> .....	64
A. Ensamblaje	
B. Desmontaje	
C. Para usar los filtros	
D. Uso de los Tornillos	
E. Usar los émbolos	
F. Cómo usar la bandeja de goteo	
• <b>Cómo usar su Greenstar Elite</b> .....	68
A. Para hacer zumos	
B. Homogeneización: Cómo hacer Patés y Preparaciones Básicas	
C. Para preparar palitos crudos de Pan, Mochi, Sorbetes de frutas, etc.	
D. Para hacer Pasta (GSE-5300 Model)	
• <b>Limpieza y mantenimiento</b> .....	72
A. Cómo limpiar su Greenstar Elite	
B. Sugerencias para una Limpieza Facil	
• <b>Resolución de problemas</b> .....	74
A. Ruidos	
B. Vibraciones y Otros Movimientos	
C. Síntomas y soluciones	
• <b>Información de producto</b> .....	75

# IMPORTANTE SALVAGUARDIA

Al usar aparatos eléctricos, siempre se deben respetar unas precauciones básicas, entre ellas las siguientes:

1. Lea las instrucciones con atención antes de utilizar el aparato.
2. Para protegerse contra el riesgo de un choque eléctrico, no ponga la base eléctrica ni el motor en agua o cualquier otro líquido.
3. Use sólo el cable de alimentación que viene con su aparato o que le mandó el constructor.
4. Sólo enchufe su máquina en tomas con el voltaje apropiado para su máquina. Al no hacerlo corre el peligro de causar daños al motor no cubiertos por la garantía.
5. Se requiere una estricta supervisión cuando cualquier aparato es utilizado cerca de niños.
6. Desenchufe su aparato eléctrico cuando no lo usa, antes de montarlo o desmontarlo o mientras lo limpia.
7. Antes de encender el motor, asegúrese siempre de que las piezas que hacen el zumo están correctamente colocadas y que no pueden soltarse.
8. Cuando el aparato esté en funcionamiento:
  - no toque las piezas en movimiento.
  - no intente desmontarlo.
9. NUNCA ponga sus dedos o cualquier otro objeto extraño como cucharas, cuchillos o cualquier otro utensilio de cocina en la tolva de alimentación o cualquier otra de las aberturas cuando el extractor esté en funcionamiento. Si se quedan alimentos enganchados en la tolva de alimentación utilice uno de los émbolos adjuntos para empujarlo. Si esto no funcionara, apague el extractor y desmóntelo para retirar los alimentos atascados.
10. Asegúrese de poner el interruptor en la posición "OFF" después de cada uso. Asegúrese de que el motor se ha parado completamente y desenchufe la máquina antes de desmontarla.
11. No desmonte ninguna otra pieza que no sean las necesarias para la limpieza de la máquina o su funcionamiento normal tales como el motor, el doble engranaje, los filtros). Abrir el motor anula la garantía.
12. No encienda su Greenstar Elite y hágalo revisar por un técnico certificado para que lo examine y evite un posible choque eléctrico si:
  - tiene un cable o un enchufe estropeados
  - no funciona correctamente
  - lo ha dejado caer o ha sido dañado
13. El uso de accesorios no recomendados por el fabricante pueden causar fuego, choques eléctricos o daños.
14. Su Greenstar Elite tiene que estar correctamente conectado a la tierra para un uso correcto y seguro. Utilice únicamente el cable suministrado y enchúfelo a una toma conectada a la tierra. No enchufe a la fuerza el enchufe a la toma pues esto puede causar incendios, choques eléctricos y daños.
15. No utilice el cable eléctrico como un asa y nunca tire del cable para desenchufar el aparato de la toma.
16. No deje el cable colgando del borde de una mesa ni en contacto con una llama o fuente de calor.
17. Para uso en interior únicamente.
18. Consulte el capítulo "Si necesita ayuda" si su extractor no funciona correctamente.
19. No utilice la máquina para algo que no sea el uso para el que ha sido diseñada.

## GUARDE ESTAS INSTRUCCIONES



# PRECAUCIONES DE SEGURIDAD IMPORTANTES

## Cosas que se deben hacer

- **¡Muy importante!** Cuando esté montando el Doble Engranaje asegúrese de alinear los puntos marcados en la superficie de los engranajes.
- Ponga las simientes en agua durante 6 horas o más. Quíteles el agua antes de ponerlas en la máquina, poca cantidad de cada vez, junto con un poco de agua.
- **¡10 minutos de descanso tras 30 minutos de funcionamiento!** Cuando esté haciendo funcionar su Greenstar Elite de forma continuada, haga pausas de 10 minutos tras 30 minutos de uso continuado, y después retome la operación.
- Coloque siempre la Tapa de Seguridad sobre la tolva de alimentación antes de utilizar la máquina. El extractor no se pondrá en funcionamiento sin tener la tapa puesta.



## Cosas que no se deben hacer

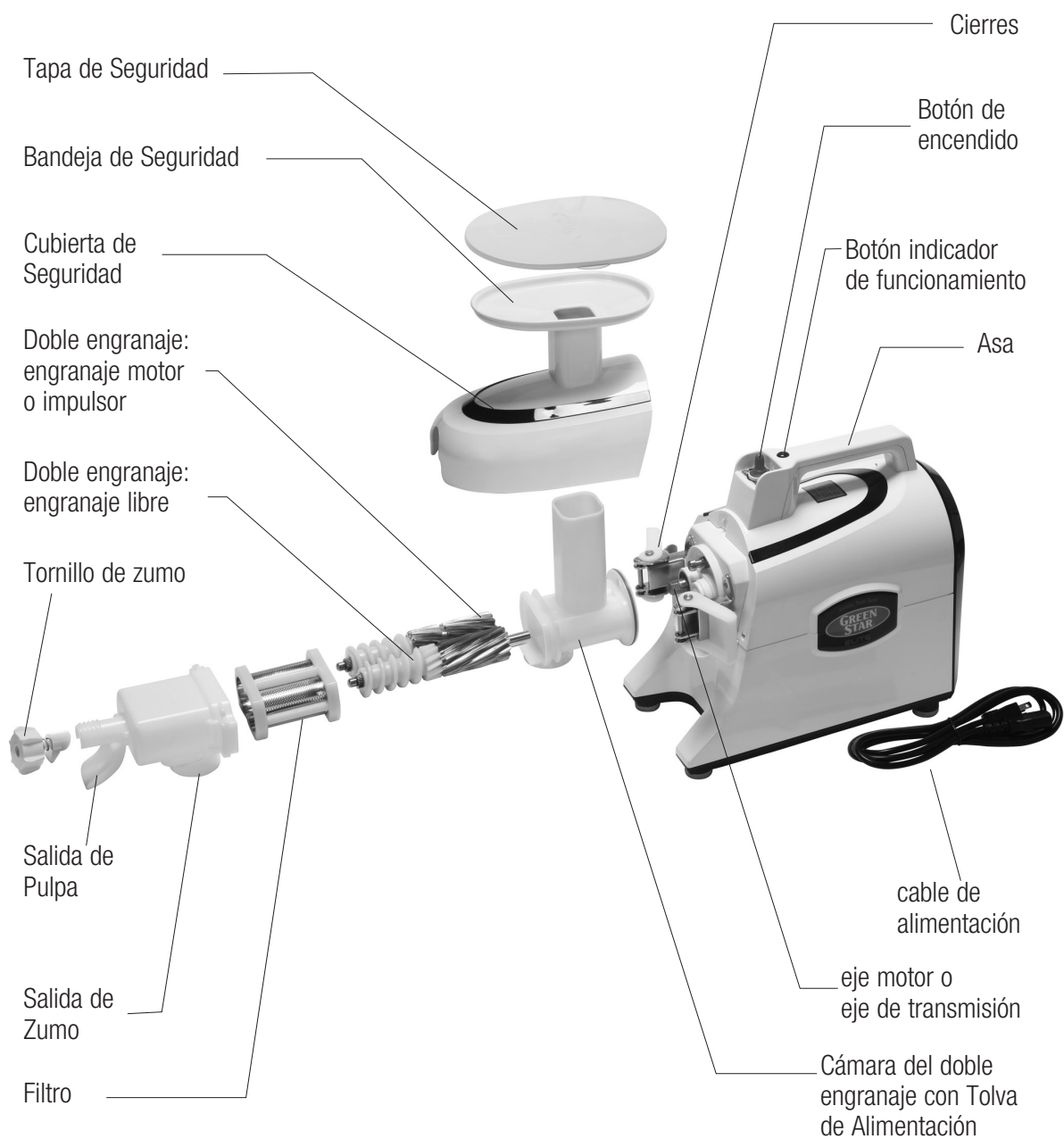
- No levante su Extractor de Jugo Greenstar Elite con las manos mojadas porque es pesado y puede resbalársele de las manos.
- No lo monte o desmonte con el cable enchufado.
- No coloque sus dedos o manos en la tolva de alimentación. Use siempre el émbolo.
- No desenchufe el cable con las manos mojadas.
- Mantenga el extractor de jugo lejos del alcance de los niños.
- No use el Greenstar en una superficie inestable.
- No ponga objetos tales como cuchillos, cucharas o tenedores en la tolva de alimentación.
- No fuerce el extractor y no cargue de más la tolva de alimentación.

**CUIDADO:** NUNCA RETIRE LA TAPA DE SEGURIDAD CUANDO LA MAQUINA ESTE FUNCIONANDO.

ES

# PIEZAS DEL EXTRACTOR DE ZUMO GREENSTAR ELITE

## Diagrama del Extractor



## Partes estándar

Asegúrese de desempaquetar su Greenstar Elite y de que tiene todas las piezas. Si alguna pieza faltase, llame a su centro de servicio inmediatamente. Es una buena idea montar y desmontar la máquina varias veces para familiarizarse con ella antes de empezar a usarla.



1. Tornillo de zumo
2. Tornillo para colines
3. Tornillo para frutos blandos (accesorio opcional)
4. Filtro fino
5. Filtro grueso
6. Filtro de homogeneizado (Filtro abierto)
7. Filtro para colines (Filtro cerrado)

8. JUMBO doble mecanismo de engranaje
- 8a. Engranaje impulsor
- 8b. Engranaje libre
9. Cámara del doble engranaje
10. Tapa de seguridad
11. Cámara de las salidas
12. Bandeja escurridora
13. Jarra para jug
14. Embolo de plástico

15. Embolo de madera
16. Colador
17. Cepillo de limpieza plano
18. Cepillo de limpieza
19. Cable de alimentación
20. Set para hacer pasta (accesorio opcional)
- 20a. Filtro para pasta
- 20b. Tornillo para pasta
- 20c. Guía para pasta
21. Cubierta de seguridad
22. Cuerpo principal

# PUESTA EN FUNCIONAMIENTO DE SU GREENSTAR ELITE

## A. Ensamblaje

**IMPORTANTE:** Asegúrese de que su Greenstar Elite está desenchufado antes de montarlo.



**1.** Haga deslizar la **cámara del doble engranaje** en el cuerpo principal y empújelo hasta que encaje perfectamente.



**3.** Deslice el **Filtro** que desee sobre la parte al descubierto del doble engranaje. Para decidir qué filtro utilizar, por favor consulte la página 66.

**2. ¡MUY IMPORTANTE!** Arme el **doble engranaje** de la forma siguiente:



- Encuentre los **Puntos de Posición** marcados en la superficie de la punta de ambos engranajes.
- Coloque los Puntos de Posición de forma que el punto del **Engranaje Libre** se encuentre entre los dos puntos del **Engranaje Impulsor**.
- Mantenga los engranajes en esta posición y deslícelos así en la **cámara del doble engranaje**, la punta de acero primero, de forma que el engranaje libre se meta en la ranura derecha y el engranaje impulsor se meta en la ranura izquierda. Empújelos hasta que queden encajados.



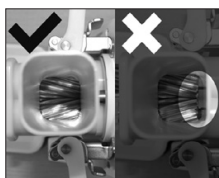
**4.** Deslice la **Cámara de Salidas** sobre el filtro.



**5.** Coloque los **cierres** a cada lado de la Cámara de Salidas y ciérrelos empujando en las pestañas metálicas.



**Si fuera el caso, retire la Cámara de salida y el filtro; haga girar los engranajes y empújelos hasta que se deslicen hasta el fondo y se ajusten en su posición; retome el montaje. Los daños causados por un montaje inadecuado no los cubre la garantía.**



- Gire los engranajes y empújelos el mismo tiempo hasta que se deslicen completamente y parezcan correctamente colocados. Mire la tolva de alimentación desde arriba para comprobar que los engranajes están correctamente colocados. Si lo están, usted no debe poder ver el eje de transmisión. Si lo ve, aunque sea un poco, continúe girando y empujando los engranajes hasta colocarlos en su sitio.



**6.** Coloque el **tornillo de zumo** o el **tornillo de colines** (consulte la página 66 para más detalles) en la salida de la pulpa y gire en el sentido de las manillas del reloj para cerrar. Cierre hasta que se pare pero no fuerce más.



**7.** Deslice la **Cubierta de Seguridad** sobre la Tolva de Alimentación.



**8.** Conecte el **cable de alimentación** a la parte de atrás de la máquina por un lado y por el otro enchúfelo a una toma eléctrica.

## B. Desmontaje

**IMPORTANTE:** Asegúrese de que su extractor está desenchufado antes de empezar a desmontarlo.



**1.** Desenchufe el cable eléctrico de la toma y después retírelo de la parte trasera de la máquina.

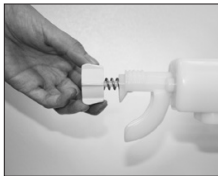


**8.** Retire la cámara del doble engranaje sujetando la cámara de salida y deslizando para retirarla del módulo principal.



**2.** Retire la Cubierta de Seguridad levantando la Tapa de Seguridad.

**Nota:** El doble engranaje no necesita ser afilado. No son cuchillas. Su función es arrancar trocitos de los alimentos como lo hacen sus dientes. No rallar ni rebanar, lo que les permite funcionar a baja velocidad y conservar los frágiles nutrimentos y las encimas.



**3.** Gire la perilla de zumo o de colines en la dirección contraria a las agujas del reloj hasta aflojarla. Retírela, deslizando hacia fuera.



**4.** Abra los dos cierres para ello tire sobre las pestañas metálicas. Retire los cierres de la Cámara de Salida.



**5.** Retire la Cámara de Salida del módulo principal. Puede suceder que el filtro o los engranajes dobles salgan al mismo tiempo que la Cámara de Salida.



**6.** Retire el filtro.



**7.** Deslice con cuidado el engranaje doble para sacarlo de la cámara.

# PUESTA EN FUNCIONAMIENTO DE SU GREENSTAR ELITE

## C. Para usar los filtros

Varios filtros vienen con su Greenstar Elite que añaden versatilidad a su extractor.



**1. Filtro fino:** Este filtro se usa para hacer zumo de verduras o de fruta con la menor pulpa posible presente en el zumo. Este filtro es adecuado para la mayor parte de verduras y frutas, incluidas las zanahorias y otras raíces; manzanas crocantes y otras frutas crocantes; espinacas, col verde y otras verduras verdes, pasto de trigo (hierba de trigo) y otras hierbas, apio y otros tallos fibrosos, y mucho más. Nótese que la presión que se produce en el interior del filtro puede hacer que algo de la pulpa pase a través de los agujeros del filtro.



**2. Filtro grueso:** El filtro grueso se utiliza para hacer zumo de frutas y verduras con algo de pulpa mezclada al zumo.



**3. Filtro de homogeneización (Filtro abierto):** Este filtro se usa para la transformación de alimentos básicos. Si usa este filtro, el Greenstar Elite transforma sus ingredientes y los deja salir por la salida de zumo de debajo. Use este filtro para moler nueces y simientes para hacer patés, comida para bebés etc. Cuando use este filtro colóquelo sobre el engranaje doble para que el agujero rectangular mire hacia abajo.



**4. Filtro de colines (Filtro cerrado):** El filtro de colines se usa para la transformación de alimentos cuando se desea una consistencia extra suave. Cuando usa este filtro el Greenstar Elite transforma sus ingredientes y los hace pasar por la salida de la pulpa, alargando así el tiempo de procesamiento. Use este filtro con el Embolo de colines (ver más adelante) para hacer colines, sorbetes, mantequilla de nueces, y todas las recetas que necesitan de una consistencia suave.

## D. Uso de los Tornillos

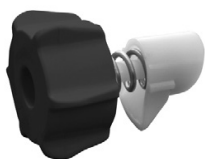


### 1. Tornillo de zumo:

**a.** Con el **filtro fino** o el **grueso**: Use este tornillo para hacer zumo de verduras y de fruta. Este tornillo ajusta la cantidad de pulpa que se presiona antes de ser desechada por la salida de pulpa. Al apretar el tornillo se aumenta el nivel de presión aplicado a las verduras y frutas durante el proceso de extracción del zumo. Apretar este tornillo le permite obtener más zumo de zanahorias, manzanas crocantes, apio etc. Por otro lado, un tornillo apretado puede impedir que el extractor consiga desechar correctamente la pulpa de verduras y frutas más blandas como el pasto de trigo o las verduras de hojas verdes.

- apriete el tornillo para extraer el máximo de zumo posible de frutas y verduras duras
- afloje el tornillo para extraer el zumo de frutas y verduras más blandas

**b.** Con el **filtro de homogeneización**: apriete completamente el tornillo para asegurarse que los alimentos no son empujados por la salida de pulpa.



### 2. Tornillo blando para zumo (accesorio opcional):

Use este tornillo de la misma manera que usaría el tornillo de zumo para hacer zumos con fruta blanda. Este tornillo tiene un muelle más blando lo que permite que la pulpa sea expulsada de forma más fácil cuando está extrayendo zumo de alimentos más blandos.



**3. Tornillo de colines:** Usar con el **filtro de colines**. Utilice este tornillo con el filtro de colines para hacer mochi, sorbetes, colines y cualquier otra receta que requiera una consistencia extra suave. Este tornillo moldea sus ingredientes con la forma de un tubo al ser expulsados por la salida de la pulpa.

## E. Usar los émbolos



**1. Embolo de plástico:** este émbolo está especialmente diseñado para empujar los alimentos sin tocar el doble engranaje. Empuje firmemente con este émbolo por la tolva de alimentación. El émbolo será detenido antes de que pueda tocar el doble engranaje.



**2. Embolo de madera:** Este émbolo de madera está diseñado para empujar los ingredientes hasta el doble engranaje. El émbolo de madera puede tocar el doble engranaje sin dañarlo.

## F. Cómo usar la bandeja de goteo

Simplemente deslice el lado más estrecho de la bandeja entre los dos pies del Greenstar Elite y coloque la jarra de zumo sobre la bandeja para evitar que gotas de zumo ensucien su mesa de trabajo.





# CÓMO USAR SU GREENSTAR ELITE

## A. Para hacer zumos

1. Monte su Greenstar Elite con el **filtro fino** o el grueso y el **tornillo de zumo**.
2. Coloque la **bandeja de goteo** debajo de la salida del zumo y coloque la **jarra de zumo** sobre la bandeja de goteo.
3. Coloque un recipiente o una bolsa de plástico debajo de la **salida de la pulpa** para recogerla.
4. Prepare sus verduras y frutas para hacer zumo y haga el zumo siguiendo las siguientes instrucciones:

- **Nota:** es normal que salgan unas gotas de zumo por la salida de la pulpa cuando empieza a hacer el zumo. Al continuar, sólo la pulpa acabará por salir por la salida de pulpa.

Tipo de alimento	Ejemplos	Preparación
Raíces	Zanahorias, Remolachas	<p><b>Preparación:</b> Lavar los productos y cortar en tiras que pueden ponerse con facilidad en la tolva de alimentación. Si las zanahorias son muy largas hay que cortarlas por la mitad (en longitud).</p> <p><b>Tornillo de zumo:</b> apriete el tornillo de zumo hasta el final.</p> <p><b>Procedimiento:</b> Meta los alimentos en la tolva de alimentación con la parte estrecha primero, y empuje por la parte ancha con el émbolo de madera o de plástico. Meta un trozo de cada vez.</p> <p><b>Recuerde:</b> el Doble Engranaje no son cuchillas, por ello necesita empujar firmemente las zanahorias hacia el engranaje que rota lentamente. Corte las zanahorias gruesas por la mitad (longitudinalmente) para que el jugo se extraiga con mayor facilidad. El émbolo de plástico no puede llegar a tocar el doble engranaje así que utilice el émbolo de madera para empujar hasta el fondo los últimos trozos de zanahorias y extraer de ellas todo el zumo.</p>
Hierba	Hierba de trigo, hierba de cebada	<p><b>Preparación:</b> Corte la hierba por la longitud deseada y lávela.</p> <p><b>Tornillo de zumo:</b> Para empezar, apriete el tornillo hasta el final. Afloje o retire completamente el tornillo cuando las primeras gotas de zumo salgan por la salida de zumo.</p> <p><b>Procedimiento para hacer zumo:</b> Meta pequeños puñados de hierba, con las puntas primero en la tolva de alimentación. Empújelas con el émbolo de plástico o el de madera si es necesario.</p> <p><b>Recuerde:</b> La hierba de trigo contiene elementos químicos que hacen que se produzca espuma cuando se la exprime. No se preocupe si empieza a salir espuma de la salida de zumo. Para reducir la cantidad de espuma: Use siempre hierba de trigo fresca; enfríe los engranajes y la hierba de trigo unas dos horas antes o durante la noche anterior a la producción del zumo; y rocíe la hierba de trigo con agua fría mientras hace el zumo. Si no le importa mezclar el jugo de hierba de trigo con el jugo de zanahoria, obtendrá un mayor rendimiento de jugo de hierba de trigo con un mínimo de espuma alternando hierba de trigo ya zanahorias durante la extracción.</p> <p><b>Nota:</b> Algunas producciones de hierba de trigo pueden producir más espuma que otras. Si su hierba de trigo produce demasiada espuma, cambie de proveedor.</p>

Tallos fibrosos	Apio	<p><b>Preparación:</b> Separe los tallos individualmente y córtelos si le parece necesario.</p> <p><b>Tornillo de zumo:</b> Apriete completamente el tornillo.</p> <p><b>Procedimiento para extraer el zumo:</b> Introduzca los tallos en la tolva, uno por uno, con la hoja hacia arriba. Empújelos con el émbolo de plástico o el de madera.</p>
Verduras de hoja verde	Espinacas, Spinach, col verde, Hojas de diente de león	<p><b>Preparación:</b> Lave todos los alimentos y separe las hojas.</p> <p><b>Tornillo de zumo:</b> Empiece con el tornillo completamente apretado. Si los alimentos empiezan a volver en la tolva de alimentación, afloje el tornillo.</p> <p><b>Procedimiento:</b> Enrolle las hojas para formar un cilindro e introdúzcalas, una por una, en la tolva de alimentación, con la hoja primero. Empuje con al émbolo de plástico o el de madera.</p>
Manzanas	Manzanas Fuji, Granny Smith	<p>Use siempre variedades crocantes como las manzanas Fuji y evite las variedades más blandas como Red Delicious o Gala. Este es un buen test: si muerde la manzana y tiene una consistencia polvorosa es que es demasiado blanda para extraer jugo.</p> <p><b>Preparación:</b> Lave los ingredientes y córtelos en trozos suficientemente pequeños como para que sea fácil empujarlos en la tolva de alimentación. No es necesario pelar las manzanas si han sido lavadas. Quite el corazón de la manzana si lo desea.</p> <p><b>Tornillo de zumo:</b> Apriete el tornillo entre mitad de camino y completamente. Si los trozos de manzana empiezan a remontar la tolva de alimentación, afloje el tornillo.</p> <p><b>Procedimiento:</b> Introduzca una rodaja de manzana a la vez por la tolva de alimentación y empuje con el émbolo de plástico de madera.</p>
Frutos de consistencia firme	Manzanas, Peras, Caquis	<p><b>Preparación:</b> Lave la fruta y pélela si lo desea. Córtela en trozos suficientemente pequeños como para que sea fácil empujarlos en la tolva de alimentación.</p> <p><b>Tornillo de zumo:</b> Apriételo a 3/4. Aflójelo o apriételo cuando sea necesario</p> <p><b>Procedimiento:</b> Introduzca un trozo de fruta a la vez por la tolva de alimentación y empuje con el émbolo de plástico de madera.</p>
Frutas blandas	Uvas, Tomates	<p><b>Preparación:</b> Lave la fruta y pélela si lo desea. Córtela en trozos suficientemente pequeños como para que sea fácil empujarlos en la tolva de alimentación.</p> <p><b>Tornillo de zumo:</b> Apriételo a de ¼ a ½ camino. Aflójelo o apriételo cuando sea necesario.</p> <p><b>Procedimiento:</b> Introduzca un trozo de fruta o un puñado pequeño a la vez por la tolva de alimentación, asegurándose de que no sobrecarga la tolva de alimentación. Empuje con el émbolo de plástico de madera.</p>
Cítricos	Naranjas, Pomelos	<p><b>Preparación:</b> Lave y pele la fruta, quitando tanta corteza como sea posible. Separe la fruta en gajos.</p> <p><b>Tornillo de zumo:</b> Apriételo a ½ de camino. Aflójelo o apriételo si lo cree necesario.</p> <p><b>Procedimiento:</b> Introduzca un gajo de fruta a la vez por la tolva de alimentación y empuje con el émbolo de plástico de madera.</p>
Cocktails de zumo		Si está preparando un cocktail de frutas o de varias verduras y frutas, prepare cada alimento como indicado en la página previa. Introduzca los productos en la tolva, alternando los duros y los blandos. Por ejemplo, si

# CÓMO USAR SU GREENSTAR ELITE

		está haciendo un cocktail de zanahoria y hierba de trigo, exprima primero un trozo de zanahoria, después un puñado de hierba de trigo, después otro trozo de zanahoria, etc.
Otras frutas y verduras		<p>Su Greenstar Elite es capaz de extraer zumo de una gran variedad de frutas y verduras. Cuando pruebe con nuevos tipos de productos, haga pruebas con los filtros y distintas posiciones del tornillo de zumo. Si el producto remonta por la tolva de alimentación, afloje el tornillo de zumo, y deje que la máquina funcione durante unos segundos. Si la máquina no se limpia, aflójele más o incluso retírelo. Introduzca siempre las verduras y las frutas lentamente, un trozo de cada vez para obtener mejores resultados.</p> <p><b>Nota:</b> Greenstar Elite no puede extraer zumos de fruta muy blanda como las fresas o los plátanos porque la pulpa no tiene suficiente cuerpo como para ser empujada a través de los filtros. Este tipo de fruta es mejor tomarla batida o en sorbetes de fruta.</p>

## B. Homogeneización: Cómo hacer Patés y Preparaciones Básicas

Siga estas instrucciones para obtener deliciosos patés o imitaciones de carne, o para moles nueces, judías, o cualquier otra receta que requiera un tratamiento básico de los alimentos. Los alimentos serán procesados por el Doble Engranaje y saldrán por la salida de zumo inferior.

1. Monte su Greenstar Elite con el **filtro de Homogeneización** (con el agujero rectangular hacia abajo) y el **tornillo de zumo**.
2. Coloque la **jarra de zumo** o cualquier otro recipiente bajo la **salida inferior de zumo**, para recoger los alimentos procesados.
3. Coloque una fuente o una bolsa de plástico debajo de la **salida de pulpa** para recoger cualquier trozo de alimento que pueda salir.
4. Prepare sus ingredientes e introdúzcalos en la tolva de alimentación por pequeños puñados de una vez. Empújelos con el émbolo deseado.

## C. Para hacer Colines Crudos, Mochi, Sorbetes de Fruta, etc.

Siga estas instrucciones para obtener deliciosos colines crudos de nueces y simientes, mochi con arroz pegajoso, sorbetes de frutas congeladas, y otras recetas que requieren una consistencia aún más suave. Estas instrucciones utilizan todo el poder de procesamiento del Greenstar Elite. Los alimentos así procesados son expulsados con forma cilíndrica por la salida frontal de la pulpa.

1. Monte su Greenstar Elite con el **Filtro para Colines** y el **Tornillo para Colines**.
2. Coloque una fuente bajo la **salida de la pulpa** para recoger los alimentos procesados.
3. Prepare sus ingredientes e introdúzcalos en la tolva de alimentación por pequeños puñados de una vez. Empújelos con el émbolo deseado.
  - a. Cuando haga colines, use un cuchillo para cortar los colines a la longitud deseada según vayan saliendo por la salida de pulpa. Deshidrátelos para que estén delicadamente crocantes
  - b. Cuando haga mantequilla de nueces, si desea obtener una consistencia aún más suave, añada un poco de aceite de la nuez, que puede encontrarse en tiendas naturales.

## D. Para hacer pasta (con el accesorio opcional)

Cómo montar el set de pasta en su aparato.

Instrucciones:

1. Acople la **cámara de doble engranaje** al módulo del extractor.
2. Retire el **doble engranaje de zumo** de la máquina y coloque el **Tornillo de Pasta** en el eje de transmisión del motor (a la izquierda si mira la máquina de frente).
3. Coloque la **Guía de Pasta** sobre el **Tornillo de Pasta**, asegurándose de que la parte más larga de la **Guía de Pasta** está de cara al lado izquierdo.
4. Elija la forma de la pasta deseada a partir de las dos formas que vienen en el **Filtro de Pasta** y colóquelo en la **Guía de Pasta**.
5. Acerque cada pestillo a los lados del **Filtro de Pasta** y ciérrelos empujando hacia atrás las pestañas de madera.
6. Su aparato está listo para hacer pasta.

**Nota:** Asegúrese de que la pasta no está demasiado húmeda.



**Filtro de Pasta**



**Guía de Pasta**



**Tornillo de Pasta**

# LIMPEZA Y MANTENIMIENTO

Mantener su extractor limpio es extremadamente importante para su salud y para el alto rendimiento de su aparato. Le aconsejamos que limpie su extractor inmediatamente después de usarlo antes de que los trozos de alimentos se sequen. El Greenstar Elite extrae los minerales, como el calcio, de los productos, y lo hace tan bien que le recomendamos limpiar todas las piezas del extractor inmediatamente después de preparar el zumo para evitar la acumulación de minerales.

## Cómo limpiar el Greenstar Elite

1. Apague su Greenstar Elite y desenchúfelo de la toma de corriente. Desenchufe el cable de alimentación de la parte posterior de su aparato.
2. Desmonte su aparato siguiendo las instrucciones de la página 65 y ponga las piezas que hacen el zumo en agua caliente.
3. Utilice los cepillos que vienen con el Greenstar Elite para frotar las piezas de hacer zumo bajo agua ] caliente corriendo y un lavavajillas suave.
4. Utilice los cepillos de limpieza para retirar todos los trozos de pulpa que permanezcan pegados al Doble Engranaje o en las cámaras.
5. Si ha usado el Filtro Fino, cepille bien las esquinas y retire toda la pulpa pegada.
6. Enjuague las piezas para que se vaya todo el jabón; séquelos concienzudamente antes de montarlos de nuevo.
  - NUNCA permita que entre agua en el módulo principal del aparato.
  - NUNCA utilice productos corrosivos, tales como lejía, para limpiar manchas de alimentos del extractor.
  - NUNCA deje caer ningún componente y en especial el Doble Engranaje. Nuestra garantía no cubre daños accidentales.
  - NUNCA lave ninguna pieza en el lavavajillas.

## SUGERENCIAS PARA UNA LIMPIEZA FACIL:

**Para limpiar el Filtro:** Sujete el filtro y manténgalo bajo agua corriendo al mismo tiempo que lo cepilla para retirar la pulpa de la cara interna primero y después de la cara externa. Para los trocitos de pulpa que están atascados en el filtro, ponga el filtro en remojo un par de horas después de haber retirado tanta pulpa como le sea posible, y después vuelva a limpiarlo. Puede intentar también pasar la parte no afilada de un cuchillo de mesa por la cara interna del filtro y después cepillar la parte externa con el Cepillo de Limpieza.

**Para limpiar el módulo principal (la unidad que contiene el motor):** Apague y desenchufe el aparato. Para limpiar la unidad que contiene el motor de su extractor, coloque las dos caras frontales sobre el fregadero. Con o bien el pulverizador del fregadero, o bien un frasco con spray lleno de agua, o una botella de lavavajillas vacía de jabón, llena de agua y con su tapón de rociado, rocíe agua directamente sobre el panel frontal donde el eje de transmisión y el engranaje se encuentran para limpiar los residuos de pulpas. Limpie todas las demás superficies con un paño húmedo. **NO PONGA EN REMOJO LA UNIDAD DEL MOTOR BAJO NINGUNA CIRCUNSTANCIA.**

**Sesiones múltiples de extracción:** Si quiere usar su Greenstar Elite varias veces al día sin tener que desmontar a cada vez su aparato, retire completamente el tornillo de zumo y la salida de la pulpa, y vierta aproximadamente medio litro de agua a través de la tolva de alimentación mientras el aparato está en funcionamiento. Asegúrese de limpiar con cuidado el extractor tras la última sesión de extracción de zumo del día.

**Manchas:** Manchas de color en las piezas es síntoma de que el extractor se usa bien y suelen ser difíciles de quitar. Muchas personas enseñan las manchas de su extractor como una “medalla de honor”. Pero si quiere intentar de quitar las manchas, use una mezcla de 25%-50% agua/vinagre blanco y deje las piezas en remojo toda una noche, después cepíllelas bien con el Cepillo de Limpieza. Puede repetir esta operación si lo considera necesario. Hacer zumo de melón de las variedades “honeydew” o “cantaloupe” también puede hacer que las manchas disminuyan.

**Depósitos de calcio y otros minerales sobre el Doble Engranaje:** Tras usar el aparato un tiempo, puede ser que vea depósitos de calcio y otros minerales sobre la superficie del Doble Engranaje. Para eliminar estos depósitos, siga uno de los siguientes métodos:

- Tras haber hecho zumo de zanahorias, introduzca una cuchara de sopa en la tolva de alimentación y dos cucharas de café de azúcar granulado. Alterne pulpa y azúcar varias veces y después ponga la máquina a funcionar. Desmonte y limpie con cuidado todas las partes que hacen el zumo.
- Mezcle 4 cucharas de sopa de bicarbonato de sodio con dos vasos de agua tibia. Ponga en remojo las piezas en esta solución durante toda la noche para despegar los depósitos de minerales y las manchas. Lave con jabón y con agua y use un cepillo de cerdas duras para quitar los depósitos de minerales. Seque con un paño.
- Ponga en remojo almendras y hágalas pasar por el aparato para eliminar los depósitos de minerales de la punta del Doble Engranaje.
- Ponga en remojo las partes afectadas en vinagre puro toda la noche. Esto despega los depósitos que se cepillan después fácilmente. Repítase si fuera necesario.

**Otras sugerencias útiles:**

- Utilice la punta estrecha del cepillo de limpieza para empujar la pulpa a través de la salida de pulpa.
- Los frutos secos (tales como los orejones, higos secos etc) y las nueces pueden quedarse pegadas en la superficies internas del extractor. Para quitar con mayor facilidad los restos, haga pasar un par de tallos de apio antes de desmontar el aparato.

## RESOLUCIÓN DE PROBLEMAS

**RUIDOS:** Aunque el extractor de zumo Greenstar Elite Juice Extractor es muy silencioso, algunos ruidos durante su funcionamiento son inevitables. Si no está seguro de que los ruidos que oye son normales:

1. Chirridos: Puede que su Greenstar Elite chirrie durante su funcionamiento. Para comprobar si es normal, monte su aparato sin el Doble Engranaje y sin el filtro y póngalo en marcha. Si oye el chirrido, su eje motor necesita ser lubricado. Puede continuar a usar su aparato aunque oiga este chirrido. Si precisa de ayuda para lubricar el eje motor contacte su centro de servicio más cercano.
2. Monte el extractor y póngalo en funcionamiento sin añadir ningún producto. Eso le permite oír el ruido que hace el Doble Engranaje. Tal vez perciba unos golpecitos sordos, es normal. Este ruido sordo del Doble Engranaje puede variar y los golpecitos se consideran normales. Esta pequeña variación no afecta el funcionamiento de su extractor y no daña las piezas.
3. Mientras esté haciendo zumo puede oír también un chirrido o un gorjeo que también se considera normal.

**VIBRACIONES Y OTROS MOVIMIENTOS:** Existe mucha presión en la cámara de zumo cuando el extractor está funcionando. Para reducir esa presión, el Greenstar Elite está diseñado para agitarse y flexionarse mientras está haciendo zumo para evitar que otras piezas se vean dañadas. Esta flexión es normal y no causa daños a su aparato.

Síntomas	Soluciones
El extractor no se enciende.	<ul style="list-style-type: none"> <li>• Asegúrese de que tiene luz en casa y el cable está correctamente enchufado a la parte trasera del extractor y en la toma eléctrica, asegúrese de que la extracción está encendido.</li> <li>• Asegúrese de que el voltaje de la toma es compatible con el motor, según aparece en la etiqueta de seguridad de su aparato.</li> </ul>
El extractor se para durante su funcionamiento.	<ul style="list-style-type: none"> <li>• Asegúrese de que su extractor está montado correctamente.</li> <li>• Si el aparato ha sido demasiado cargado, use el botón de invertido para hacer salir algunos de los ingredientes.</li> </ul>
Los engranajes hacen ruido.	<ul style="list-style-type: none"> <li>• Asegúrese de que el Doble Engranaje está montado correctamente.</li> <li>• Verifique si hay algún material dura que se haya interpuesto en los engranajes. Si es el caso, apague y desmonte el aparato. Limpie e inténtelo de nuevo.</li> <li>• Compruebe si el Doble Engranaje ha sufrido cualquier tipo de daño. Si fuera el caso, póngase en contacto con el centro de servicio más cercano.</li> </ul>
La Cámara de Salida no encaja correctamente, o los cierres no cierran correctamente.	<ul style="list-style-type: none"> <li>• Compruebe que el Doble Engranaje encaja correctamente. Gírelos ligeramente y empuje al mismo tiempo hasta que se queden perfectamente encajados.</li> </ul>
La pulpa no se expulsa correctamente; Los ingredientes vuelven por la Tolva de Alimentación.	<ul style="list-style-type: none"> <li>• Afloje el Tornillo de Zumo.</li> </ul>
La pulpa contiene demasiado zumo.	<ul style="list-style-type: none"> <li>• Apriete el Tornillo de Zumo.</li> </ul>
Sale un poco de pulpa con el zumo.	<ul style="list-style-type: none"> <li>• Asegúrese de que el filtro está en la posición correcta.</li> <li>• Apriete el Tornillo de Zumo.</li> </ul>



Sale poca cantidad de zumo.	<ul style="list-style-type: none"> <li>• Asegúrese de que el Tornillo de Zumo está perfectamente apretado.</li> </ul>
Aparato atascado.	<ul style="list-style-type: none"> <li>• Cambie el botón a la posición de invertido uno o dos veces.</li> <li>• Si no se desatasca, desmonte el aparato para limpiar todo bloqueo.</li> </ul>

**IMPORTANTE:** ¡Nunca inserte un cuchillo, cuchara o cualquier objeto extraño dentro de la Tolva de Alimentación cuando la máquina está funcionando!

## INFORMACIÓN DE PRODUCTO

### PRODUCTO ESTANDARD

UNIDAD	EXTRACTOR DE ZUMO
MODELO	GREENSTAR ELITE
CARACTERÍSTICAS ELECTRICAS	USA Modelos : 120Vac, 60Hz, 200W
	EUROPE/ASIA : 220~240Vac, 50/60Hz, 200W
TAMAÑO	18.25" x 6.88" x 12.50" (464 mm x 175 mm x 318 mm)
PESO	26.6 lbs (12.07 kg)

ES

TRIBEST

**Tribest Corporation**

1143 N. Patt Street, Anaheim, CA 92801  
(toll free) 888-254-7336 (fax) 714-879-7140  
[www.tribest.com](http://www.tribest.com)  
(email) [service@tribest.com](mailto:service@tribest.com)