

Omega Juicers®

COLD PRESS 365®



MM1500

USER MANUAL

Multi-Use Juicer and Nutrition Center

LOW SPEED MASTICATING JUICER

MODE D'EMPLOI

Presse-Agrumes Multi-Usage et Centre de Nutrition

EXTRACTEUR DE JUS BROYEUSE À BASSE VITESSE

MANUAL DEL USUARIO

Exprimidor Multiusos y Centro de Nutrición.

EXTRACTOR DE JUGOS POR MASTICACIÓN A BAJA VELOCIDAD

www.OmegaJuicers.com



Congratulations!

CONGRATULATIONS on the purchase of your new Omega product.

At Omega, we strive to develop technologically advanced machines that help deliver nutrition and flavor of the highest kind and closest to nature's purest form. We are driven by you, our brand supporters. Your enthusiasm helps us continue to reinvent and renew our line of juicers, high speed blenders and beverage equipment. Our team at Omega thanks you for supporting us for over 50 years!

FOLLOW OMEGA JUICERS ON SOCIAL:



PRODUCT REGISTRATION, VISIT:
www.omegajuicers.com/omega-warranty-registration

RECIPES, VISIT:
www.omegajuicers.com/recipes

CUSTOMER SERVICE:
Visit www.omegajuicers.com

After using your Omega, we kindly ask you to rate the machine on
www.OmegaJuicers.com

TABLE OF CONTENTS

02 - 03	Important Safeguards
04 - 05	Know Your Omega
06 - 07	Quick Start Assembly
08 - 09	Operating Instructions
10 - 11	Operating Notes
12 - 13	Cleaning
14 - 17	Precautions for Safe Use
18 - 19	If the Auger Stops Working
20 - 25	How To Prepare
21	Celery
21	Fruits And Vegetables
22	Wheatgrass And Greens
22	Mincing And Chopping
23	Nut Butters
23	Nuts And Soy Milks
24	Baby Foods
23	Desserts
25	Pasta and Breadsticks
26 - 27	Troubleshooting
28 - 29	Product Specifications
30 - 41	Recipes
42 - 83	French
84 - 125	Spanish

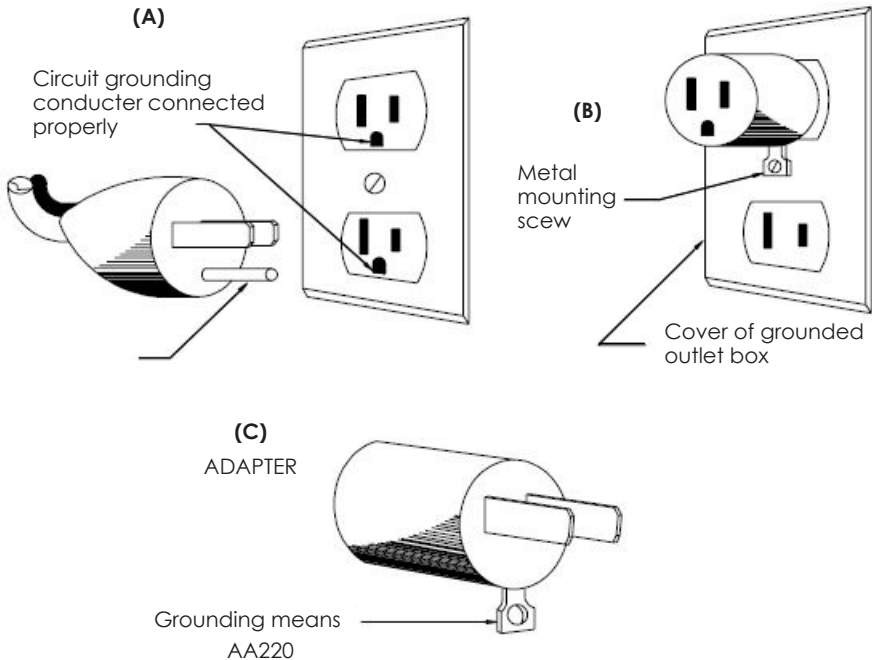


IMPORTANT SAFEGUARDS

WARNING: GROUNDING INSTRUCTIONS

This appliance must be grounded while in use to protect the operator from electrical shock. The appliance is equipped with a 3-conductor cord and a 3-prong grounding-type plug to fit the proper grounding-type receptacle. The appliance has a plug that looks like **sketch A** in **Figure 73.1**. An adaptor, **sketch B**, should be used for connecting **sketch A** plugs to two-prong receptacles. The grounding tab which extends from the adaptor must be connected to a permanent ground such as a properly grounded outlet box as shown in **sketch C** using a metal screw.

FIGURE 73.1
Grounding Methods



IMPORTANT SAFEGUARDS

When using electrical appliances, basic safety precautions should always be followed including the following.

1. READ ALL INSTRUCTIONS BEFORE USING.
2. To protect against electrical shock, do not immerse cord, plug, or main body (motor) in water or other liquid.
3. The appliance is not intended for use by persons (including children) with reduced physical, sensory, or mental capabilities, or lack of experience and knowledge, unless they are closely supervised and instructed concerning use of appliance by a person responsible for their safety. Close supervision is necessary when any appliance is used by or near children. Children should be supervised to ensure that they do not play with the appliance.
4. Unplug from outlet when not in use, before putting on or taking off parts, and before cleaning.
5. Avoid contact with moving parts. Unplug from outlet when not in use, before putting on or taking off parts, and before cleaning.
6. Do not operate any appliance with a damaged cord or plug or after the appliance malfunctions or has been damaged in any manner. Return appliance to the manufacturer (see warranty) for examination, repair, or electrical or mechanical adjustment.
7. The use of attachments not recommended or sold by manufacturer may cause fire, electric shock or injury.
8. Do not let cord hang over edge of table or counter or touch heated surfaces.
9. Always make sure juicer cover is clamped securely in place before motor is turned on. Do not unfasten clamps while juicer is in operation.
10. Be sure to turn switch to OFF position after each use of your juicer. Make sure the motor stops completely before disassembling.
11. Do not put your fingers or other objects into the juicer while it is in operation. If food becomes lodged in opening, use food pusher or another piece of fruit or vegetable to push down the lodged food. When this method is not possible, turn off the machine, remove the plug from wall outlet and disassemble juicer to remove the remaining food.
12. Do not use outdoors.
13. Do not place on or near a hot gas or electric burner or in a heated oven.
14. Do not use appliance for anything other than its intended use.
15. Keep hands and utensils away from moving blades or discs while processing food to reduce the risk of severe injury to persons or damage to the food processor. A scraper may be used but must be used only when the food processor is not running.
16. Blades are sharp. Handle carefully.
17. Keep the appliance clean. Refer to the Care & Cleaning instructions in this manual.
18. DO NOT plug in until familiar with all the instructions and operating procedures.
19. DO NOT unplug from electrical outlet by pulling on the cord. To unplug, grasp the plug, not the cord, and pull.
20. Turn off all controls before unplugging from or plugging into an electrical outlet.
21. This appliance can not grind meat.
22. Check hopper for presence of foreign objects before using.
23. Moving parts – Keep fingers out of discharge openings.
24. Sharp blade – Always use food pusher.
25. Rated operating time – Less than 30 minutes.

SAVE THESE INSTRUCTIONS



KNOW YOUR OMEGA

KNOW YOUR OMEGA

RESET SWITCH

This product uses a reset switch and thermal cutoff to protect the motor.

If the unit stops running during operation, press the reset switch on the bottom of the unit.

If the unit will still not operate, unplug, wait for 30 minutes, and try again.



- | | | |
|----------------------------------|---------------------------------------|-------------------------------|
| A Pusher | H Housing | O 2 Breadstick Nozzles |
| B Hopper | I Auger (Inside Drum) | P Sieve |
| C Chute | J Blank Cone (Inside Drum) | Q Cleaning Brush |
| D Drum | K Juicing Screen (Inside Drum) | R Pulp Container |
| E Handle | L Blank End Cap | S Juice Container |
| F Locking Clip | M Adjustable End Cap | T Celery Juice End Cap |
| G On/Off Button (In Rear) | N 4 Pasta Nozzles | |



QUICK START ASSEMBLY

YOUR JUICER INCLUDES 2 ADJUSTABLE END CAPS



**CELERY JUICE
END CAP**

Use this cap
ONLY for celery

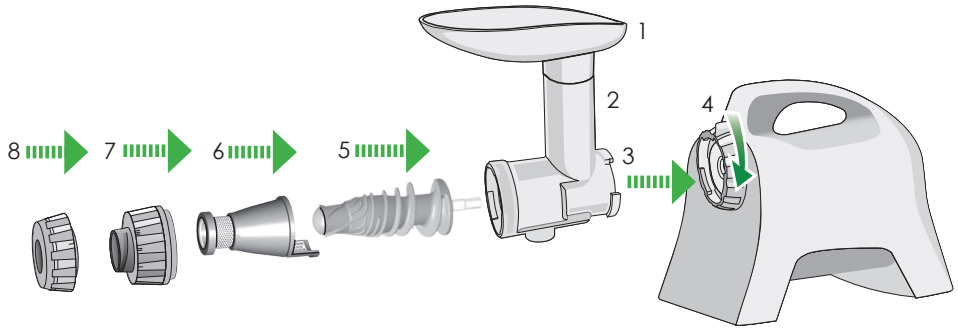


**ADJUSTABLE
END CAP**

Use this cap for
all other fruits
& vegetables

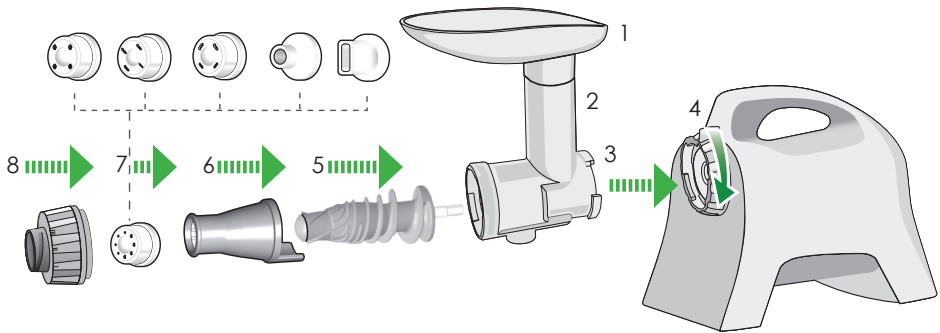
QUICK START ASSEMBLY

FOR JUICING



- 1 Hopper
- 2 Chute
- 3 Drum
- 4 Locking Clip
- 5 Auger
- 6 Juice Screen
- 7 Blank End Cap
- 8 Adjustable End Cap
- 9 Pulp Container
- 10 Juice Container

FOR FOOD PROCESSING



- 1 Hopper
- 2 Chute
- 3 Drum
- 4 Locking Clip
- 5 Auger
- 6 Blank Cone
- 7 Nozzle Options
- 8 Blank End Cap
- 9 Pulp Container

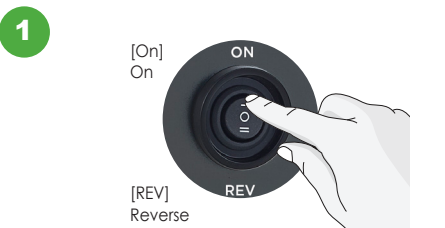


OPERATING INSTRUCTIONS

OPERATING INSTRUCTIONS

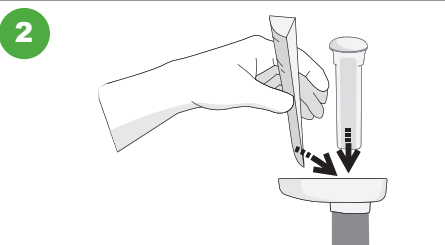
JUICING FUNCTION

1

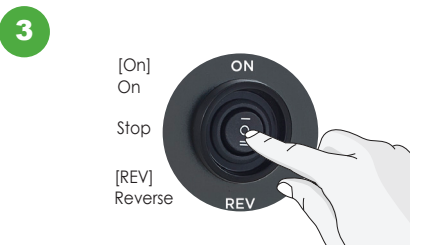


[On] On
[REV] Reverse

2




3




[On] On
Stop
[REV] Reverse

4A



ADJUSTABLE END CAP

4B



CELERY JUICE END CAP WITH GREEN INNER RING

Press [ON] button on the back of the Omega® Nutrition System to start.

Gradually put the ingredients into the hopper chute and press down with the pusher.

DO NOT place any metal objects into the hopper. If the drum set is clogged or the machine stops operating, press the reverse button 2 to 3 times and press the ON button again to resume normal operation.

After the extraction or processing is complete, place the switch in the stop position to stop.

⚠ WARNING When using [ON] or [Rev] button, make sure that the auger stops completely.

Your adjustable end cap is to be used when juicing all fruits and vegetables other than celery. When juicing harder produce, turn the adjustable end cap counterclockwise to tighten the squeeze, increasing the pressure. For softer, or pulpy produce, turn the adjustable end cap clockwise to loosen the pressure.

Your celery juice end cap is to be used ONLY for juicing celery. It is NOT to be used for juicing any other type of fruit or vegetable. It includes a special green inner ring to facilitate celery juicing. Take care not to lose this insert and be sure to clean it after each use. Turn the end cap counter clockwise to tighten the squeeze, increasing the pressure. Turn the end cap clockwise to loosen the pressure.



OPERATING NOTES

OPERATING NOTES

This heavy-duty nutrition system features a patented, stone mill-like auger, made of hygienic BPA-free Ultem. The low speed of 80 RPMs ensures full taste and the highest nutritional value.

- **FRUIT JUICE.** Efficiently juices hard and soft fruits: even citrus fruits.
- **VEGETABLE JUICE.** Juices all kinds of vegetables including carrots, beets, celery, peppers, and radishes without destroying the natural flavor and nutritional benefits. Fresh taste and full nutrition are guaranteed with this unique extraction process.
- **WHEATGRASS AND LEAFY GREENS.** Kale, cabbage, spinach and pine tree needles are just some of the natural products that can be juiced. Enjoy the best that nature offers in raw foods and juice them for full nutritional benefits.
- **CELERY.** Celery is the most common of herbs that can be juiced. Extract liquid from raw celery stalks.

While you can juice fruits, vegetables, leafy greens and herbs to make one tasty drink, you may occasionally (or always) only juice one type to concentrate a fruit, vegetable or herb's health enhancing benefits.

When juicing celery, keep the celery stalks as whole as possible. Do not cut the celery into small pieces.

When using the celery juice end cap, do not make more than 16oz. of celery juice at a time without cleaning the endcap.

If dry pulp stops juice flow, loosen celery end cap. Remove the end cap and clean it before continuing to juice.

- **FOOD PROCESSOR.** Chops and minces, providing natural flavor and nutrition from garlic, scallions, red pepper, ginger, and most other foods, including herbs and seasonings. Soft foods for special diets for babies are quick and easy to prepare with the homogenizer set-up.
- **NUT BUTTERS.** Make almond butter, peanut butter, sunflower seed butter and more while using all-natural ingredients.
- **NUTS & SOY MILKS.** Use almonds, pecans, cashews, hazelnuts, or any other of your favorites to create nutritious milks. You can also make coconut milks.
- **DESSERT MAKER.** Make all-natural, dairy free, gluten free, low fat, low sugar, low calorie desserts that taste like your favorite ice creams or frozen treats.
- **BABY FOODS.** Make homemade baby food knowing that you are giving your baby fresh produce that is nutritious and easily digestible.
- **PASTA EXTRUDER.** Make homemade spaghetti, linguini, or breadsticks can be extruded in just minutes with the included pasta nozzles.



CLEANING

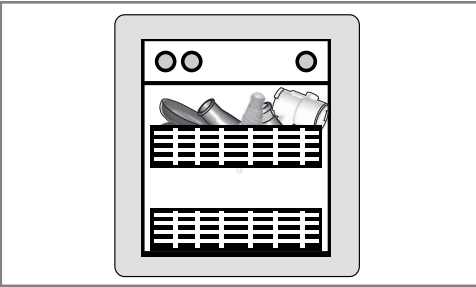
CLEANING

DAILY CLEANING



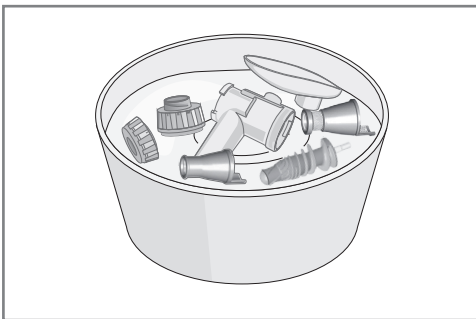
It is important to always scrub all sides and surfaces of your juicing parts with warm water, liquid dish soap and a scrubbing brush after each use to remove minerals and debris.

EASY CLEANING SYSTEM



When juicing is done, removable parts may be washed in the top rack of the dishwasher.

DEEP CLEANING



A deep cleaning should be done approximately once per month, or as needed depending on frequency of use. To do a deep clean you will need a one gallon bowl filled with warm water and approximately one cup of liquid dishwasher soap which specifically states that it removes mineral buildup.

Let the parts soak for half an hour then thoroughly rinse and completely dry. Make sure water doesn't extend past 140 F°.



PRECAUTIONS FOR SAFE USE

PRECAUTIONS FOR SAFE USE

All users of this appliance must read and understand these safety precautions before operating.

SIGN SAMPLES



This sign indicates contents that may cause risk of a fire or an electrical shock.
Specific warnings are written in the sign.



This sign indicates prohibited acts.
Specific prohibitions are written around or in the sign.



This sign indicates contents of regulating or directing actions.
Specific prohibitions are written around or in the sign.

PRECAUTIONS



CAUTION Hazards or unsafe practices could result in minor personal injury or appliance damage.



DO NOT PLUG IN OR UNPLUG WITH WET HANDS.
It may cause an electric shock or an injury.



DO NOT USE WITH OTHER THAN RATED VOLTAGE.
It may cause an electric shock, a fire or abnormal performance.
If the voltage is different, it may shorten the life of the motor or cause a failure.



PLUG THE POWER CORD CORRECTLY AND PUSH IT TIGHT IN A WALL SOCKET.
It may cause electric shock or a fire.



IF THE SUPPLY CORD IS DAMAGED, IT MUST BE REPLACED BY THE MANUFACTURER, ITS SERVICE OR SIMILARLY QUALIFIED PERSONS IN ORDER TO AVOID A HAZARD.
If the power cord is damaged, it may cause electric shock or a fire.



NEVER ALTER THE APPLIANCE. ALSO, DO NOT DISASSEMBLE OR REPAIR BY YOURSELF. DO NOT INSERT FINGERS, FOREIGN SUBSTANCES OR OBJECTS SUCH AS PINS INTO GAPS OR HOLES IN THE BASE. It may cause a fire, an electric shock or a failure. For any technical support, contact the authorized local Customer Care Center.

PRECAUTIONS FOR SAFE USE



DO NOT MOISTEN THE BASE OR SPLASH WATER ON THE BASE.

Be careful not to let any liquids or other substances get into the switch on the appliance. **DO NOT OPERATE THE SWITCH WITH WET HANDS.** It may cause electric shock or a fire.



WHEN THE POWER CORD, WIRE IS BROKEN OR DAMAGED OR THE PLUG-IN PART BECOMES LOOSE, DO NOT OPERATE IT.

It may cause an electric shock, a fire or an injury.



FOR SAFETY, MUST DO GROUND CONNECTION DO NOT DO THE GROUNDING ON GAS PIPE, PLASTIC WATER PIPE, TELEPHONE WIRE, ETC.

It could cause an electric shock, a fire, or a malfunction and an explosion. Be sure to use the socket with ground connection.



NEVER DISASSEMBLE BOWL SET DURING OPERATION OR INSERT FINGERS, FOREIGN OBJECTS SUCH AS FORKS, SPOONS ETC. INTO FEEDING TUBE OR JUICE OUTLET.

It may cause an injury, an accident or a failure.



THIS APPLIANCE IS NOT INTENDED FOR USE BY PERSONS (INCLUDING CHILDREN) WITH REDUCED PHYSICAL, SENSORY OR MENTAL CAPABILITIES, OR LACK OF EXPERIENCE AND KNOWLEDGE, UNLESS THEY HAVE BEEN GIVEN SUPERVISION OR INSTRUCTION CONCERNING USE OF THE APPLIANCE BY A PERSON RESPONSIBLE FOR THEIR SAFETY.

Children should be supervised to ensure that they do not play with the appliance.



DO NOT OPERATE WITHOUT LOCKING THE HOPPER PROPERLY.

It may cause an injury or a failure.



WHEN DETECTING A GAS LEAK, DO NOT INSERT THE POWER CORD INTO ITS SLOT. OPEN THE WINDOW TO VENTILATE FULLY AND IMMEDIATELY.

It may cause an injury or a failure.



IF SCREW ROTATION IS STOPPED IN NORMAL OPERATION, PRESS [REVERSE/REV] BUTTON AND HOLD FOR 2-3 SECONDS AND THEN AFTER REVERSE OPERATION IS COMPLETELY STOPPED, PRESS [ON] BUTTON AGAIN. If such a stop event continues during the operation, the parts may be damaged and performance may be deteriorated due to overheating in a motor. When the problem continues, immediately stop the appliance and contact the local Customer Care Center.



NEVER PUT A FINGER, A FORK OR A SPOON ETC. INTO JUICE OUTLET.

It may cause an injury or a failure.

PRECAUTIONS FOR SAFE USE



DURING THE OPERATION, DO NOT ATTEMPT TO MOVE THE BASE, DISASSEMBLE THE BOWL SET OR PARTS AND TRY TO LOCK THEM.

It may cause an injury or a failure. Any act of event needed, switch off first and unplug the power cord.



WHEN USING THE APPLIANCE, BE CAREFUL FOR A NECKTIE, LONG NECKLACE, SCARF ETC. NOT TO BE ENTANGLED INTO FEEDING TUBE.

It may cause an injury, a failure or a breakage.



PLACE THE APPLIANCE ON A FLAT AND STABLE SURFACE.

It may cause an injury or a failure.



DO NOT OPERATE THE APPLIANCE FOR MORE THAN 30 MINUTES AT A TIME.

It may cause a motor failure due to overheating. Cool it down sufficiently for 5 minutes and operate it again.



WHEN PLACING INGREDIENTS INTO THE FEEDING TUBE, ONLY USE THE PUSHER PROVIDED.

It may cause an injury or a failure.



DO NOT ALLOW A SEVERE SHOCK TO THE APPLIANCE OR DROP IT.

It may cause an electric shock, a fire or damage



IF THE APPLIANCE GIVES OFF AN UNPLEASANT SMELL OR EXCESSIVE HEATING, SMOKE, STOP USING IMMEDIATELY AND CONTACT THE LOCAL CUSTOMER CARE CENTER.

When using a new appliance, it gives off a smell and the smell disappears naturally over time.



ALWAYS UNPLUG THE APPLIANCE AFTER USE.

WHEN UNPLUGGING THE POWER CORD, MAKE SURE TO HOLD THE POWER CORD.

If holding the wire to unplug, it may cause an electric shock or a fire.



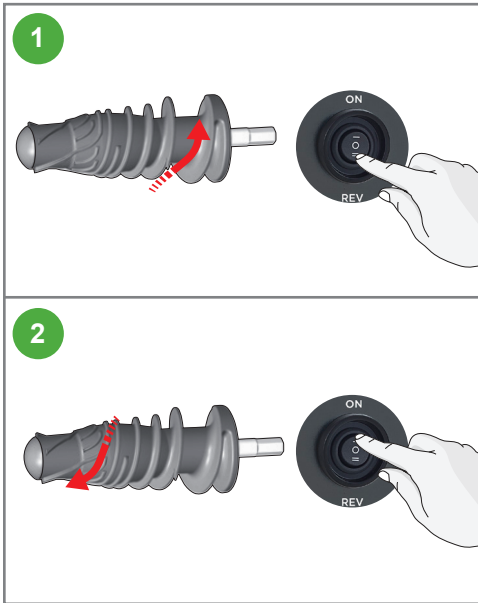
THE APPLIANCE WEIGHS ABOUT 14.77 LB (6.7 KG). WHEN MOVING THE APPLIANCE, ENSURE TO MOVE IT HOLDING GRIPS TIGHTLY AT THE BASE BOTTOM WITH BOTH HANDS.

If attempting to hold bowl or the edge of the base, the base may fall causing an injury or a failure.



IF THE AUGER STOPS WORKING

IF THE AUGER STOPS WORKING



Press [Rev] button for 3 to 5 seconds, then release. When the [Rev] button is released, the auger will stop rotating. Repeat this 2 to 3 times. The [Rev] button pushes the ingredients upward releasing the food clog.

Press [ON] button to start. When using [ON] auger should rotate. Wait 2 to 3 seconds. Then press [REV] button. Repeat this 2 to 3 times. Make sure the auger stops completely after releasing the button.

Note:

Even after following the directions above, if the juicer still doesn't work, please unplug the power cord, disassemble the chamber set and clean it. Then try again.



HOW TO PREPARE

CELERY

FRUITS AND VEGETABLES

WHEATGRASS AND GREENS

MINCING AND CHOPPING

NUT BUTTERS

NUTS AND SOY MILKS

DESSERTS

BABY FOODS

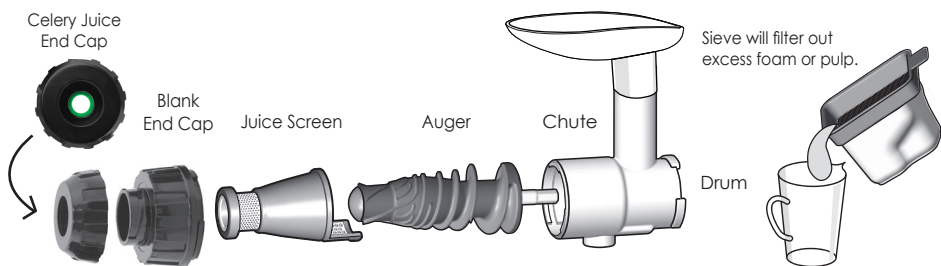
PASTA AND BREADSTICKS

HOW TO PREPARE

CELERY

Juicing Screen | Celery Juice End Cap (with green inner ring) | No Nozzle Needed

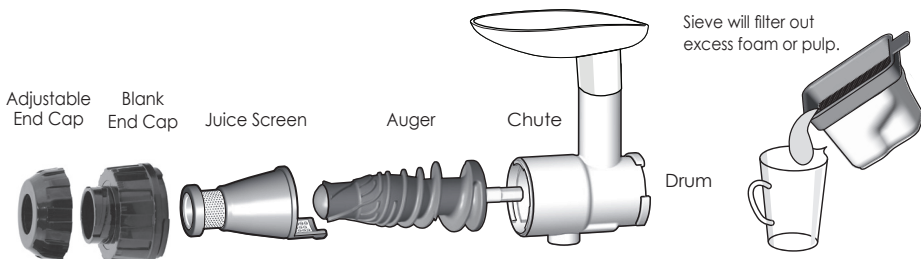
- Thoroughly wash celery to remove accumulated chemicals.
- When juicing celery, keep the celery stalks as whole as possible. Do not cut the celery into small pieces.
- Some juice may exit into the pulp bowl and not the juice bowl. This is normal. This may continue to occur until the ejection area is filled with pulp.
- When using the celery juice end cap, do not make more than 16oz. of celery juice at a time without cleaning the endcap. If dry pulp stops juice flow, loosen celery end cap. Remove the end cap and clean it before continuing to juice.



FRUITS AND VEGETABLES

Juicing Screen | End Cap | No Nozzle Needed

- Thoroughly wash fresh ingredients to remove accumulated chemicals. The Omega® Nutrition System can extract juice from un-peeled fruits and vegetables but your taste may prefer peeled produce.
- Soft produce will process easier if refrigerated.
- Cut fruits and vegetables into small pieces to fit in the drum.
- Turn [ON] machine and let it run without interruption until all juice has been extracted.
- Alternate soft and firm items. It is best to start with the softer item.
- If the pulp starts to clog the drum, turn [OFF] machine and empty the drum set. Reassemble and resume normal operation.
- After placing the last piece of fruit or vegetable into the hopper, keep the machine running for a few seconds to ensure juice is extracted.
- After every use, clean all parts that come into contact with food or juice.
- You may juice items that are not usually used in meals, for example, carrot or beet stems.

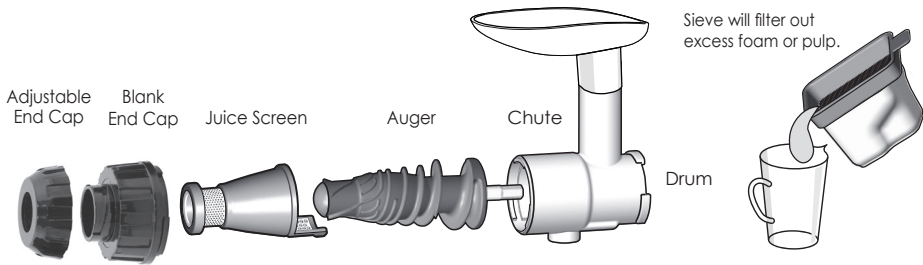


HOW TO PREPARE

WHEATGRASS AND GREENS

Juicing Screen | Adjustable End Cap | No Nozzle Needed

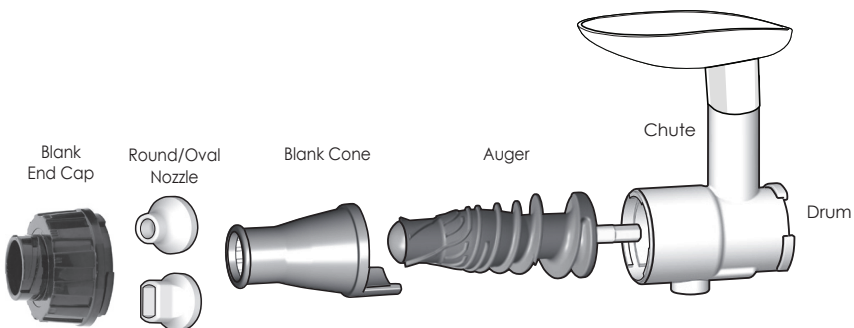
- Thoroughly wash fresh ingredients to remove accumulated chemicals.
- Do not overfill the feed chute. Feed the juicer with small quantities. Allow most of the juice to exit before pushing in the next item.
- Some juice may exit into the pulp bowl and not the juice bowl. This is normal. This may continue to occur until the ejection area is filled with pulp.
- When juicing an item for added taste, insert that item during the first half of the juicing process. If inserted at the end of the process, the full taste may not come through.
- Certain green drinks may be too strong for some people. Lemon, apple, ginger, carrots &/or beets may be added as a natural sweetener to dilute the taste of wheatgrass and leafy greens.



MINCING AND CHOPPING

Blank Cone | Blank End Cap | Round/Oval Nozzle

- Use as a food processor to make marinades, salsas, soups and sauces.
- Chop or grind meat, fish, herbs, soaked rice and beans. Remove any fat from the meat or poultry if not desired in the finished product. Bone and scale fish before processing.

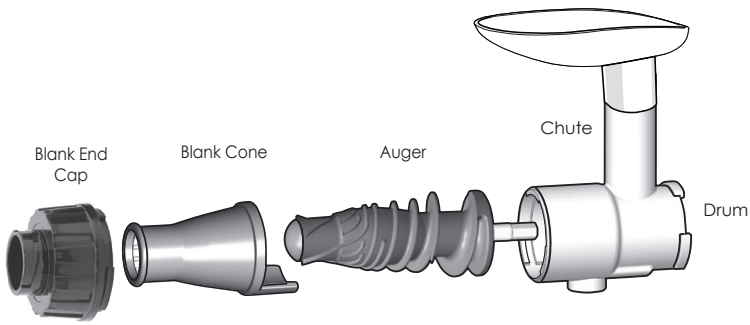


HOW TO PREPARE

NUT BUTTERS

Blank Cone | **Blank End Cap** | **No Nozzle Needed**

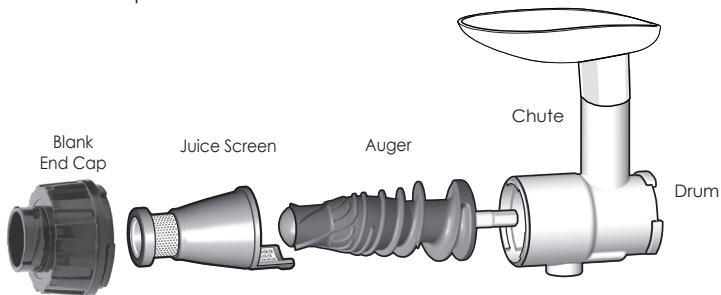
- Nut butters are an all-natural version of peanut butter, almond butter, sunflower seed butter, etc.
- Remove all skins and shells from nuts. Turn [ON] machine. Start adding nuts 1 cup at a time.
- Add 1 to 2 tablespoons of oil slowly between nuts.
- Process nuts through nutrition system at least two to three times until texture is of a smoother consistency.



NUT & SOY MILKS

Juicing Screen | **Blank End Cap** | **No Nozzle Needed**

- Nut milks consist of almonds, pecans, cashews, hazelnuts, etc. You can also make coconut milk and soy milk.
- Soak nuts for 4-8 hours in water.
- Drain and rinse nuts well. Add fresh water to the soaked nuts. We recommend 3 cups of water per 1 cup of nuts. Add more water for a thinner consistency and less water for a thicker consistency.
- Turn [ON] machine. Ladle the soaked nuts and some of the fresh water into the chute. Optional: Add pulp to the bowl of remaining water and spoon into juicer for a second time for a more flavor and a creamier texture. You can either stop after the second process or repeat for a third time.



HOW TO PREPARE

DESSERTS

Blank Cone | **Blank End Cap** | **No Nozzle Needed**

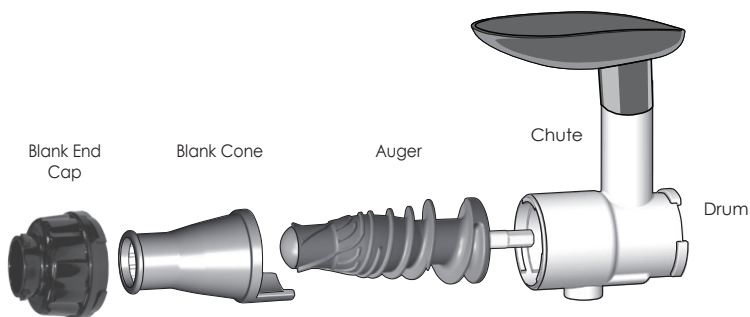
- Make all-natural sweet, frozen treats without the added fat, sugar and calories.
- Thaw frozen fruit for 5-10 minutes. Turn [ON] machine. Process thawed fruit through nutrition system and serve.
- Popular frozen fruit sorbets include banana, cherry, blackberry, blueberry, raspberry, strawberry, melon, kiwi, mango, pear, pineapple, peach, grape, orange, and more!
- You can also make frozen lemonades and ice creams with all-natural ingredients. Recipes can be found on www.OmegaJuicers.com.

BABY FOOD

Blank Cone | **Blank End Cap** | **No Nozzle Needed**

- Making homemade baby food with your Omega Juicer can be very rewarding knowing that you are giving your baby fresh produce that is nutritious and easily digestible. This also gives your baby regular chances to experience a wide variety of textures and tastes without artificial preservatives or additives.
- Start by cooking the vegetable or fruit. Either steam, bake, or boil. Steaming maintains the most nutrients.
- For Fruits: apples, pears, peaches, plums, mangoes and strawberries, all puree well.
- For Vegetables: potatoes, carrots, yams, broccoli and squash, all puree well.
- Turn [ON] machine. Spoon the cooked vegetable/fruit down the chute. If steamed or boiled vegetable or fruit add some of the cooked liquid. Adding the liquid helps preserve any nutrients that may have released into the water during cooking.

The above recipes are made using the items below.



HOW TO PREPARE

PASTA OR BREADSTICKS

Blank Cone | **Blank End Cap** | **Round, Flat or Breadsticks Nozzle**

- This machine can to extrude pasta; not make pasta. Make dough by hand or use a mixer.
- Sprinkle a small amount of flour on the pasta, on the nutrition system hopper and inside the drum to prevent sticking.
- Add water to the dough if it becomes too dry.
- To extrude pasta:
Decide which style of noodle you prefer and place the appropriate nozzle on the drum.

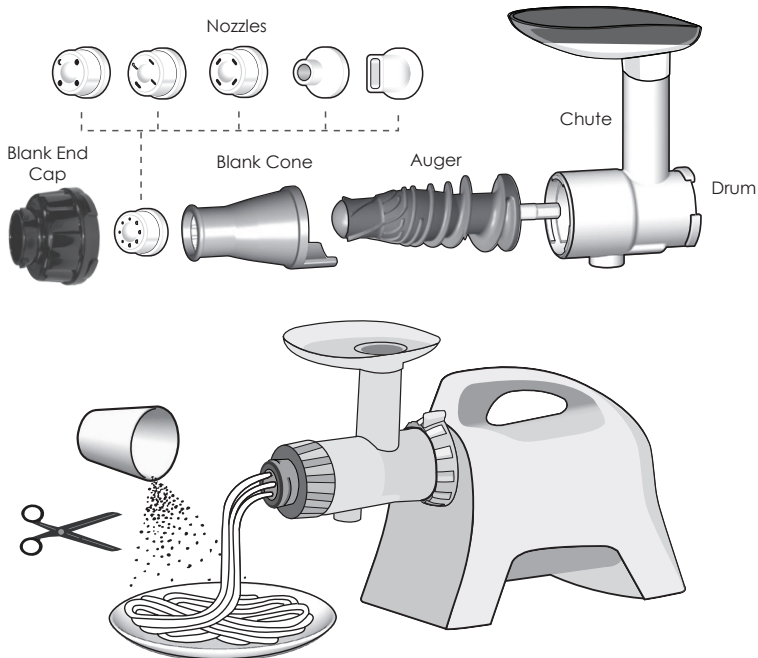
Shape the pasta dough into balls or tubes that are slightly smaller than the nutrition system hopper opening.

Turn [ON] machine. Process dough through nutrition system. A consistent feeding of dough without any gaps will give you longer noodles as pasta exits. Pasta may be cut with a scissor or a knife to desired length.

Freshly made pasta should be put in boiling water. Fresh pasta will cook faster than packaged pasta.

If you want to make the pasta more flavorful, add spinach, basil or sundried tomatoes. Leftover vegetable juice or pulp may also be mixed into dough for added flavor.

Your choice of nozzle will determine the size and shape of the pasta.





TROUBLESHOOTING

TROUBLESHOOTING

Please troubleshoot using the details below before contacting Omega Customer Service for repair or service. When contacting Omega for after-sales service, please have the manufacturer's serial number or bar code available.

The Appliance Does Not Work

- Make sure the power cord is plugged in correctly.
- Make sure the drum is assembled correctly. If the drum is not locked into place, the appliance will not operate.
- Make sure the appliance is assembled according to the instructions in this manual. Refer to the instructions.
- If the appliance still does not work, please contact Omega Customer Service for additional support.

The drum Does Not Open

- If there is a lot of pulp inside the drum, press [On] to release the excess pulp.
- Check the appliance for any foreign substance or solid objects including seeds.
- Press [Rev] button to push up stuck ingredients.
- Do not attempt to open by force. If the drum still does not open, please contact Omega Customer Service for additional support.

The Appliance Stops During Normal Operation

- Check for large pieces of food stuck in the appliance.
- Refer to the section "If the Auger Stops Working" and follow the guideline for the [Rev] button.
- If the appliance still does not work, please contact Omega Customer Service for additional support.

Fine Lines or Scratch Marks around the Auger

- This is normal. Do not be concerned. These are molding marks resulting from the normal manufacturing process.

Juice Leaks Over the Base

- Check for an excessive amount of ingredients in the hopper and/or chute.
- If you try to juice a large amount of food compared to the pulp chute, the packing will be slightly pushed away. Juice may leak out of the gap.
- Do not force too much food into the juicer. Push food gradually for extraction.
- Check to make sure the juice flap is closed.

Juicer Shakes when In-Use

- This is normal as the auger rotates. It is not a malfunction. Hard ingredients such as carrots, potato, radish, beets, etc. may cause shaking more so than soft ingredients.
- Depending on the firmness of the ingredient, there may be a more pronounced shaking of the motor.
- Slight shaking may be caused by the motor.



PRODUCT SPECIFICATIONS

PRODUCT SPECIFICATIONS

Product Name	Omega® Cold Press 365® Multi-Use Juicer and Nutrition Center
Model Name	MM1500
Rated Voltage	220-240 V
Rated Frequency	50/60 Hz
Rated Power Consumption	200 W
RPM	80 RPM
Cord Length	60 inches (1500 mm)
Product Weight	14.7 lb (6.7 kg)
Shipping Weight	20.9 lb (9.5 kg)
Outward Dimension	6.1" Width (154 mm) 18.5" Depth (470 mm) 12.3" Height (312 mm)
Rated Operating Time	Less than 30 minutes





RECIPES

RECIPES

Almond Milk

What You'll Need:

2 cups of unsalted almonds
6 cups of distilled water

PREP 12 hours PROCESS 4 minutes

How To Prepare:

- 1 Soak almonds overnight in 3 cups of water. Drain.
- 2 Place almonds in 3 cups of fresh water.
- 3 Using the juicing screen in the Omega® Nutrition System, ladle almonds and water into juicer.

If you prefer the milk thinner add more water.

- 4 You can sweeten milk by adding 1 tsp of honey, agave nectar, cane sugar or maple syrup. You can make vanilla almond milk by adding 1 tsp of vanilla extract or make chocolate almond milk by adding 1 tbsp of unsweetened cocoa powder.

Soy Milk

What You'll Need:

1 cup dried organic soy beans
6 cups of water
dash of salt
½ tsp vanilla extract
1 tsp agave or other sweetener
1 tsp cinnamon

PREP 12 hours PROCESS 35 minutes

How To Prepare:

- 1 Soak soy beans overnight in 3 cups of water. Drain.
- 2 Place soy beans in 3 cups of fresh water. Using the juicing screen in the Omega® Nutrition System. Ladle soy beans and water into juicer. If you prefer the milk thinner add more water.
- 3 Transfer the milk to a pot on the stove. Bring the milk to a boil. Then reduce to low and let simmer for 25 minutes. Skim off and discard any foam or filmy layers that occur.
- 4 Remove from heat and flavor with salt, vanilla extract, agave and cinnamon. Mix and Enjoy.

Peanut Butter

What You'll Need:

2 cups shelled and skinned
roasted peanuts
1 tbsp grapeseed oil
2 tsp coconut nectar
1 tsp real salt

PREP 5 minutes PROCESS 10 minutes

How To Prepare:

- 1 With an Omega® Nutrition System, change the juicing cone for the blank cone and assemble your preferred nozzle.
- 2 Start pouring nuts into the chute. Run them through about 2-3 times until oils start to appear.
- 3 Transfer to a bowl and combine all ingredients by hand, with a spoon.
- 4 Pour the mixture into the Omega® Nutrition System one more time.

Cookie Dough Nut Butter

What You'll Need:

2 cups dry cashews
6 tablespoons coconut nectar
1 tbsp coconut oil
2 tsp vanilla powder
½ tsp real salt

PREP 5 minutes PROCESS 8 minutes

How To Prepare:

- 1 With an Omega® Nutrition System, change the juicing cone for the blank cone and assemble your preferred nozzle.
- 2 Start pouring nuts into the chute. Run them through about 2-3 times until oils start to appear.
- 3 Transfer to a bowl and combine all ingredients by hand, with a spoon. Pour the mixture into the Nutrition System one more time.

Homemade Pasta

What You'll Need:

1 cup flour
1 egg, beaten
2 tbsp water
½ tsp salt

PREP 5 minutes JUICE 5 minutes

How To Prepare:

- 1 In a large bowl, combine flour and salt.
- 2 Make a well in the middle of the flour/salt mixture, then add egg. If dough is too stiff, then add water.
- 3 With an Omega® Nutrition System, change the juicing cone for the blank cone, choose preferred pasta nozzle.
- 4 Put dough through chute and cut noodles to preferred length.

Eggless Pasta

What You'll Need:

2 cups semolina flour
½ tsp salt
½ cup warm water

PREP 5 minutes JUICE 5 minutes

How To Prepare:

- 1 In a large bowl combine flour and salt, then add water (add more if too dry).
- 2 With an Omega® Nutrition System, change the juicing cone for the blank cone, choose preferred pasta nozzle.
- 3 Put dough through chute and cut noodles to preferred length.

Breadsticks

What You'll Need:

2 ¼ pkg active dry yeast
 1 ½ cup warm water
 ½ cup warm milk
 2 tbsp sugar
 3 tbsp butter, divided and melted
 ½ tsp kosher salt
 ½ tsp minced garlic
 ¾ tsp dried italian seasoning
 4 ½ - 5 ½ cups flour
 ¼ cup parmesan cheese, grated

PREP 15 minutes **PROCESS** 5 minutes

How To Prepare:

- 1 In a large bowl, combine yeast with water and let stand until it bubbles (7-10 minutes).
- 2 Add milk, sugar, butter, kosher salt, and 2 cups of flour. Beat until smooth. Add parmesan cheese and remaining flour until it forms into a soft dough.
- 3 With an Omega® Nutrition System, change the juicing cone for the blank cone, choose preferred bread stick nozzle. Put dough through chute, running the dough about 7-8 times.
- 4 Divide dough into equal portions.

Salsa in a Glass

What You'll Need:

2 tomatoes
 ¼ onion
 ½ lime
 1 jalapeno pepper
 5 sprigs of fresh cilantro

PREP 5 minutes **JUICE** 5 minutes

How To Prepare:

- 1 Wash all produce well.
- 2 Peel lime (optional).
- 3 Add all ingredients into your Omega® Nutrition System and juice.
- 4 Serve and enjoy.

RECIPES

Baby Food - Applesauce

What You'll Need:

3 medium red apples

PREP 15 minutes PROCESS 6 minutes

How To Prepare:

- 1 Steam 3 medium red, skinned and seeded apples.
- 2 With an Omega® Nutrition System, change the juicing cone for the blank cone, choose preferred nozzle.
- 3 Process through the Omega® Nutrition System.
- 4 Add a sprinkle of cinnamon.

Yields 1 cup.

Baby Food - Sweet Potato

What You'll Need:

2 sweet potatoes

PREP 30 minutes PROCESS 5 minutes

How To Prepare:

- 1 Steam potatoes 20 to 25 minutes.
- 2 Process through the Omega® Nutrition System.
- 3 1 large potato yields about 1 cup.

RECIPES

Baby Food - Carrots

What You'll Need:

3 large carrots

PREP 30 minutes PROCESS 5 minutes

How To Prepare:

- 1 Steam carrots.
- 2 With an Omega® Nutrition System, change the juicing cone for the blank cone, choose preferred nozzle.
- 3 Process through the Omega® Nutrition System.

Three large carrots yields about 1 cup.

Baby Food - Peas

What You'll Need:

peas

PREP 3 minutes PROCESS 6 minutes

How To Prepare:

- 1 Depod peas when preparing. No need to steam, unless you prefer.
- 2 With an Omega® Nutrition System, change the juicing cone for the blank cone, choose preferred nozzle.
- 3 Then process through the Omega® Nutrition System. Better for children 1 to 2 years old (younger children have trouble digesting them).

Clean Boost

What You'll Need:

½ a beetroot
5 spinach leaves
¼ cabbage
1 broccoli stick
½ a grapefruit
½ a lemon
1 orange
1 kiwi fruit
2 small pieces of ginger

PREP 2 minutes JUICE 4 minutes

How To Prepare:

- 1 Cut product to fit into hopper.
- 2 Juice in an Omega® Nutrition System.
- 3 Pour over ice.
- 4 Enjoy!

Australian Dream

What You'll Need:

2 beets (australian beetroot)
2 organic carrots
1 cup organic strawberries
2 cups kale leaves (6-8 leaves)
(australia tuscan cabbage)

PREP 3 minutes JUICE 6 minutes

How To Prepare:

- 1 Wash all produce well.
- 2 Cut as needed to fit into juicer.
- 3 Juice in an Omega® Nutrition System.
- 4 Pour over ice and enjoy.

RECIPES

Morning Glory Citrus

What You'll Need:

2 grapefruits (peeled)
1 red bell pepper
2 pears
6 carrots

PREP 5 minutes JUICE 5 minutes

How To Prepare:

- 1 Wash all produce well.
- 2 Juice all produce in an Omega® Nutrition System and enjoy!

Serving Size: 16 - 18 oz.

Bursting with Vitamin C and beta-carotene, as well as Vitamins A & K and even copper.

Apple & Kiwi Juice

What You'll Need:

2 apples
3 kiwis

PREP 5 minutes JUICE 5 minutes

How To Prepare:

- 1 Wash the apples, then remove the core and cut into quarters.
- 2 Peel the kiwis and chop into small pieces.
- 3 Juice ingredients in your Omega® Nutrition System.
- 4 Stir before drinking.

RECIPES

Total Health Booster

What You'll Need:

1 medium apple, cored and cubed
2 medium soft pears, cored and cubed
½ cup fresh cherries
(pits removed or frozen and thawed)

PREP 5 minutes JUICE 5 minutes

How To Prepare:

- 1 In your Omega® Nutrition System, juice apple, pears, and cherries.
- 2 Before serving, garnish with fresh cherries, if desired.

Cukelear Power

What You'll Need:

1 cucumber
2 collard green leaves
1 handful of cauliflower florets
½ lemon (yellow rind removed)

PREP 5 minutes JUICE 5 minutes

How To Prepare:

- 1 Wash all produce.
- 2 Add all ingredients into your Omega® Nutrition System and juice.
- 3 Pour into your glass and enjoy!

Tropical Morning

What You'll Need:

1 peach (remove pit)
1 mango (peeled and seed removed)
1 orange (skin removed)
½ cup coconut water
1 teaspoon agave nectar

PREP 5 minutes JUICE 5 minutes

How To Prepare:

- 1 In your Omega® Nutrition System, juice peach, mango and orange
- 2 Add remaining ingredients and stir.
- 3 Serve chilled and garnish with a peach slice.

Island Dreaming Sorbet

What You'll Need:

½ cup frozen pineapple chunks
½ cup frozen banana
1 cup frozen strawberries
½ cup frozen mango chunks
2 tbsp coconut flakes

PREP 5 minutes PROCESS 5 minutes

How To Prepare:

- 1 Mix all ingredients in a bowl. Thaw slightly before running through Omega® Nutrition System.
- 2 Change the juicing cone for the blank cone and assemble your preferred nozzle.
- 3 Start pouring and pushing the ingredients into the chute. Serve.

Frozen Lemonade Sorbet

What You'll Need:

6 tbsp lemon juice
3 tbsp raw honey
1 cup water

PREP 6 hours

PROCESS 5 minutes

How To Prepare:

- 1 Heat lemon juice and honey for 10-20 seconds in microwave. Stir. Add in the water and stir.
- 2 Freeze the mixture in ice cube trays or ice pop mold.
- 3 With an Omega® Nutrition System, change the juicing cone for the blank cone and assemble your preferred nozzle.
- 4 Thaw lemon cubes slightly before pushing thru the chute of Omega® Nutrition System. Serve.

Orange Dreamsicle Sorbet

What You'll Need:

4 frozen oranges/
mandarins peeled
1 cup vanilla yogurt

PREP 5 minutes

PROCESS 5 minutes

How To Prepare:

- 1 Freeze yogurt and peeled orange segments.
- 2 Thaw slightly before running through Omega® Nutrition System.
- 3 Change the juicing cone for the blank cone and assemble your preferred nozzle.
- 4 Start pouring and pushing the ingredients into the chute, alternating the yogurt and the orange segments. Serve.



Félicitations!

Félicitations! Vous êtes désormais propriétaire d'un nouvel appareil Omega.

Chez Omega, nous nous efforçons de concevoir des appareils à la fine pointe de la technologie qui offrent des aliments et des saveurs de haut calibre et aussi naturels que possible. Vous êtes notre source de motivation. Votre enthousiasme nous pousse à continuer de réinventer et de moderniser notre gamme d'extracteurs à jus, de mélangeurs à grande vitesse et d'appareils à boissons. L'équipe d'Omega vous remercie de votre soutien qui perdure depuis plus de 50 ans!

SUIVEZ OMEGA JUICERS SUR LES RÉSEAUX SOCIAUX:



POUR ENREGISTRER VOTRE APPAREIL, RENDEZ-VOUS AU :
www.omegajuicers.com/omega-warranty-registration

POUR DES RECETTES, RENDEZ-VOUS AU :
www.omegajuicers.com/recipes

SERVICE À LA CLIENTÈLE :
Visitez le www.omegajuicers.com

Après avoir utilisé votre appareil Omega, nous vous prions de bien vouloir l'évaluer au :
www.OmegaJuicers.com

TABLE OF CONTENTS

44 - 45	Consignes de sécurité importante
46 - 47	Composition de votre Omega
48 - 49	Assemblage rapide
50 - 51	Mode d'emploi
52 - 53	Système alimentaire polyvalent
54 - 55	Nettoyage
56 - 59	PMesures de précaution
60 - 61	Si la vis de pressage cesse de fonctionne
62 - 67	Méthodes de préparation
63	Céleri
63	Fruits et légumes
64	Agropyre et légumes verts feuillus
65	Émincer et hacher
65	Beurres de noix
65	Laits de noix et de soja
66	Nourriture pour bébés
66	Desserts
67	Pâtes et pains bâtons
68 - 69	Diagnostic de défaillance
70 - 71	Information sur le produit
72 - 83	Recettes
84 - 125	Espagnol



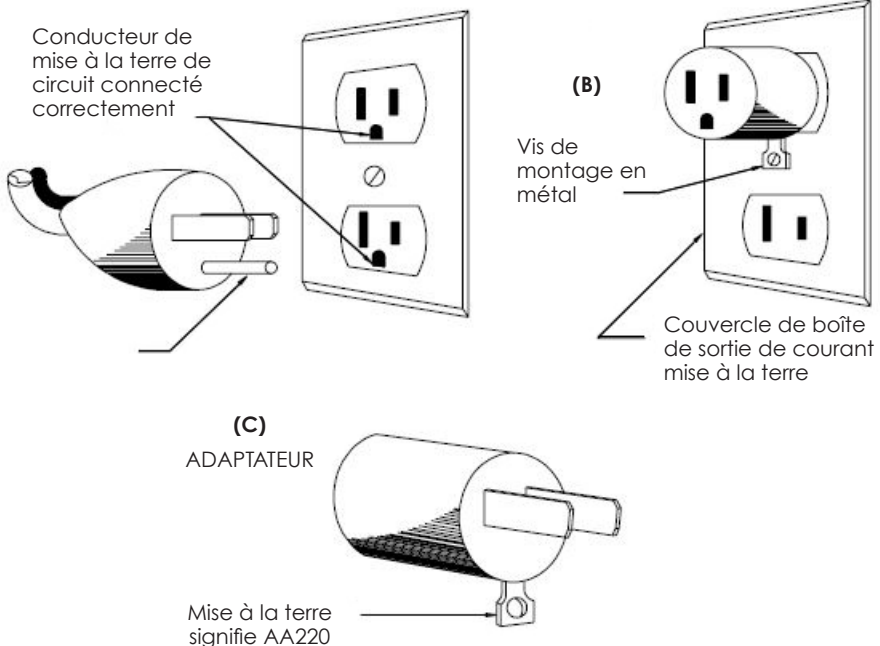
MESURES DE PROTECTION IMPORTANTES

ADVERTENCIA: INSTRUCTIONS DE MISE À LA TERRE.

Cet appareil doit être mis à la terre pendant son utilisation pour protéger l'utilisateur contre les chocs électriques. L'appareil est équipé d'un cordon électrique à 3 conducteurs et d'une fiche de type mis à la terre à 3 broches pour s'adapter à la prise correcte de mise à la terre. L'appareil a une fiche qui ressemble au **schéma A** de la **Figure 73.1**. Un adaptateur, **schéma B**, doit être utilisé pour connecter les fiches du **schéma A** aux prises à deux broches. La languette de mise à la terre qui dépasse de l'adaptateur doit être connectée à une mise à la terre permanente, telle qu'une boîte de sortie de courant correctement mise à la terre, comme illustré sur le **schéma C**, à l'aide d'une vis en métal.

FIGURE 73.1

(A) Méthodes de mise à la terre



MESURES DE PROTECTION IMPORTANTES

Les appareils électriques devraient toujours être utilisés en adoptant des précautions de base. Lorsque vous utilisez un appareil électroménager, il faut toujours prendre des précautions de base, y compris les suivantes.

1. LISEZ TOUTES LES INSTRUCTIONS AVANT L'UTILISATION.
2. Pour vous protéger des chocs électriques, n'immergez pas le cordon, la fiche ou le corps principal (moteur) dans de l'eau ou d'autres liquides.
3. Cet appareil n'est pas conçu pour une utilisation par des personnes (y compris les enfants) aux capacités physiques, sensorielles ou mentales diminuées ou manquant d'expérience et de connaissances, à moins qu'elles ne reçoivent une supervision étroite et soient rigoureusement instruites en matière de l'utilisation de l'appareil par une personne responsable de leur sécurité. Une surveillance étroite est de rigueur lorsqu'un appareil quelconque est utilisé par ou à proximité des enfants. Les enfants doivent être surveillés pour s'assurer qu'ils ne jouent pas avec l'appareil.
4. Débranchez l'appareil de la prise lorsqu'il n'est pas utilisé, avant d'ajouter ou de retirer des pièces et avant le nettoyage.
5. Évitez tout contact avec les pièces mobiles. Débranchez l'appareil de la prise lorsqu'il n'est pas utilisé, avant d'ajouter ou de retirer des pièces et avant le nettoyage.
6. N'utilisez aucun appareil dont le cordon d'alimentation ou la fiche est endommagé(e), ou une fois que l'appareil a présenté un défaut de fonctionnement ou est endommagé de quelque manière que ce soit. Veuillez retourner l'appareil au fabricant (voir la garantie) pour une vérification, une réparation ou un réglage électrique ou mécanique.
7. L'utilisation d'accessoires non recommandés ou non vendus par le fabricant risque de causer un incendie, un choc électrique ou des blessures.
8. Ne laissez pas le cordon pendre par-dessus le bord de la table ou du comptoir ou toucher des surfaces chaudes.
9. Veillez toujours à ce que le couvercle de l'extracteur de jus d'alimentation soit fixé solidement en place avant de mettre le moteur en marche. Ne détachez pas les pinces lorsque l'extracteur de jus est en marche.
10. Assurez-vous de passer en position OFF (ARRÊT) après chaque utilisation de votre extracteur de jus. Veillez à ce que le moteur s'arrête complètement avant de démonter.
11. Ne placez pas vos doigts ou autres objets dans l'ouverture de l'extracteur de jus lorsqu'il fonctionne. Si des aliments sont coincés dans l'ouverture, utilisez le poussoir à aliments ou un autre morceau de fruit ou légume pour les enfoncer. Dans les cas où cette méthode n'est pas possible, éteignez l'appareil, retirez la fiche de la prise murale et démontez l'extracteur de jus pour retirer le reste des aliments.
12. N'utilisez pas l'appareil à l'extérieur.
13. Ne placez pas sur ou à proximité d'un brûleur à gaz ou électrique chaud ou dans un four chauffé.
14. N'utilisez pas l'appareil à des fins autres que celles pour lesquelles il est conçu.
15. Gardez les mains et les ustensiles éloignés des lames ou disques mobiles pendant le traitement des aliments, pour réduire les risques de blessures corporelles graves ou de dommages au robot culinaire. Vous pouvez utiliser un racloir mais uniquement lorsque le robot culinaire n'est pas en marche.
16. Les lames sont aiguisées. Manipulez-les avec soin.
17. Veuillez garder l'appareil propre. Reportez-vous aux instructions d'Entretien et nettoyage de ce guide.
18. NE branchez PAS l'appareil avant de vous familiariser complètement avec les instructions et méthodes d'utilisation.
19. NE débranchez PAS l'appareil de la prise électrique en tirant sur le cordon. Pour le débrancher, saisissez la fiche, non pas le cordon, et tirez.
20. Éteignez toutes les commandes avant de débrancher de ou de brancher dans une prise électrique.
21. Cet appareil ne peut pas hacher la viande.
22. Vérifiez que la trémie ne contient pas de corps étrangers avant de l'utiliser.
23. Pièces mobiles – Gardez les doigts en dehors des orifices de sortie.
24. Lame aiguisée – Utilisez toujours le poussoir à aliments
25. Durée nominale de fonctionnement – inférieure à 30 minutes

CONSERVEZ CES CONSIGNES



COMPOSITION DE VOTRE OMEGA

COMPOSITION DE VOTRE OMEGA

INTERRUPTEUR DE RÉINITIALISATION

Ce produit utilise un interrupteur de réinitialisation et un blocage thermique pour protéger le moteur.

Si l'appareil arrête de fonctionner pendant l'utilisation, appuyez sur l'interrupteur de réinitialisation en bas de l'appareil.

Si l'appareil ne fonctionne toujours pas, débranchez-le, attendez 30 minutes et essayez à nouveau.



A Poussoir

B Trémie

C Canal

D Tambour

E Poignée

F Clip de sécurité

G Bouton Marche /Arrêt (à l'arrière)

H Corps de l'appareil

I Vis de pressage
(à l'intérieur du tambour)

J Cône vide
(à l'intérieur du tambour)

K Filtre à jus
(à l'intérieur du tambour)

L Capuchon d'extrémité vide

M Capuchon d'extrémité réglable

N 4 buses pour pâtes

O 2 becs à pains bâtons

P Passoire

Q Brosse de nettoyage

R Contenant de pulpe

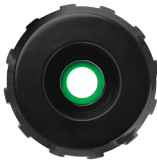
S Contenant de jus

T Capuchon d'extrémité
pour jus de céleri



ASSEMBLAGE RAPIDE

VOTRE EXTRACTEUR DE JUS COMPREND 2 CAPUCHONS D'EXTRÉMITÉ RÉGLABLES



**CAPUCHON
D'EXTRÉMITÉ POUR JUS
DE CÉLERI**

Utilisez ce capuchon
d'extrémité **UNIQUEMENT**
pour le céleri

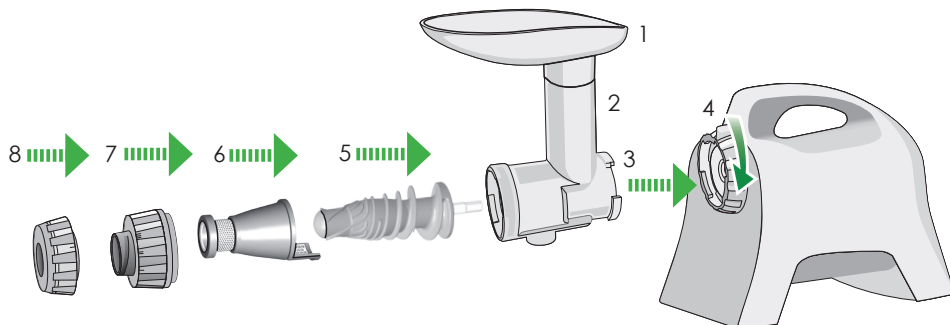


**CAPUCHON
D'EXTRÉMITÉ RÉGLABLE**

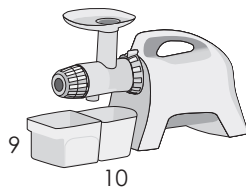
Utilisez ce capuchon
d'extrémité pour
tous les autres fruits
et légumes

ASSEMBLAGE RAPIDE

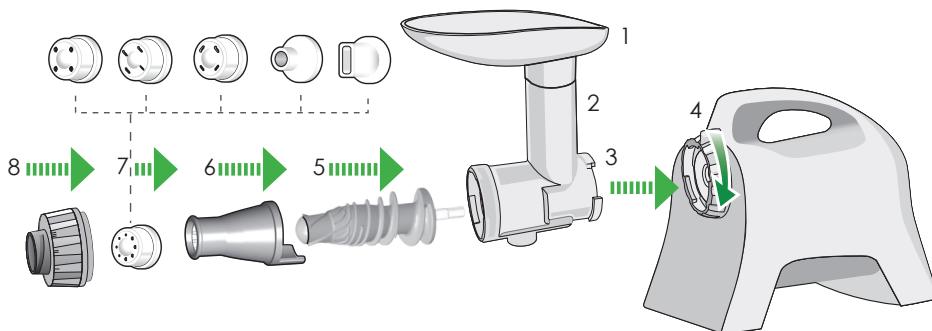
EXTRACTEUR DE JUS



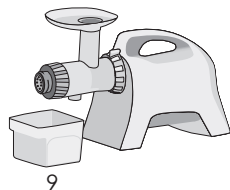
- 1 Trémie
- 2 Canal
- 3 Tambour
- 4 Clip de sécurité
- 5 Vis de pressage
- 6 Filtre à jus
- 7 Capuchon d'extrémité vide
- 8 Capuchon d'extrémité réglable



TRANSFORMATION DES ALIMENTS



- 1 Trémie
- 2 Canal
- 3 Tambour
- 4 Clip de sécurité
- 5 Vis de pressage
- 6 Cône vide
- 7 Options de buses
- 8 Capuchon d'extrémité vide
- 9 Contenant à pulpe

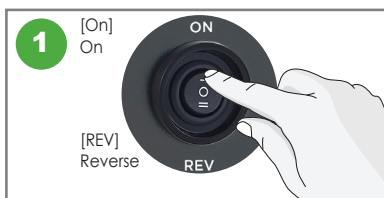




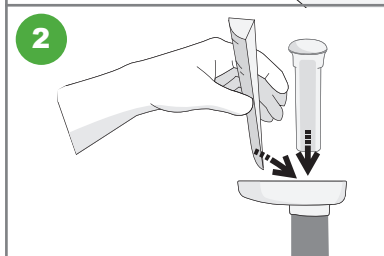
MODE D'EMPLOI

MODE D'EMPLOI

BOUTON MARCHÉ/ARRÊT/MARCHE ARRIÈRE

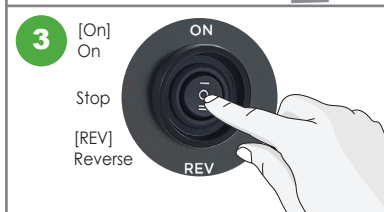


Appuyer sur le bouton [ON] à l'arrière du Système alimentaire Omega® pour commencer.



Peu à peu, verser des ingrédients dans l'entonnoir de la trémie et appuyer sur le poussoir.

NE placer AUCUN objet métallique dans la trémie. Si le tambour est bloqué ou si l'appareil cesse de fonctionner, appuyer sur le bouton marche arrière 2 ou 3 fois et appuyer à nouveau sur le bouton MARCHE afin de reprendre l'utilisation normale.



Une fois que l'extraction ou le traitement est terminé, mettre le commutateur en position arrêt.

⚠ AVERTISSEMENT Lorsque vous utilisez le bouton [ON] ou [Rev] assurez-vous que la foreuse est complètement arrêtée.



Votre capuchon d'extrémité réglable doit être utilisé quand vous extrayez le jus de tous les fruits et légumes autres que le céleri. Quand vous extrayez le jus de fruits et légumes frais plus durs, tournez le capuchon d'extrémité réglable dans le sens inverse des aiguilles d'une montre pour serrer davantage et augmenter la pression. Pour les fruits et légumes frais plus mous ou pulpeux, tournez le capuchon d'extrémité réglable dans le sens des aiguilles d'une montre pour relâcher la pression.



Le capuchon d'extrémité pour jus de céleri doit être utilisé UNIQUEMENT pour l'extraction du jus de céleri. Il NE faut PAS l'utiliser pour l'extraction du jus de tout autre type de fruit ou légume. Il comprend une bague interne verte spéciale qui facilite l'extraction du jus de céleri. Prenez soin de ne pas perdre cette pièce et veillez à la nettoyer après chaque utilisation. Tournez le capuchon d'extrémité dans le sens inverse des aiguilles d'une montre pour serrer davantage et augmenter la pression. Tournez le capuchon d'extrémité dans le sens des aiguilles d'une montre pour relâcher la pression. Tournez le capuchon d'extrémité dans le sens des aiguilles d'une montre pour relâcher la pression.



SYSTÈME D'ALIMENTATION POLYVALENT

SYSTÈME D'ALIMENTATION POLYVALENT

Ce système alimentaire ultrarésistant comprend une vis de pressage de type moulin tour brevetée, faite de hygiénique Utem sans BPA. La vitesse basse de 80 tr/min garantit un plein goût et une valeur nutritionnelle supérieure.

- **JUS DE FRUITS.** Extrait efficacement le jus des fruits durs et mous : même les agrumes.
- **JUS DE LÉGUMES.** Extrait le jus de toutes sortes de légumes, y compris les carottes, les betteraves, les céleris, les poivrons et les radis, sans en perdre l'arôme naturel et les avantages nutritionnels. Un goût frais et une nutrition complète sont garanties avec ce processus d'extraction unique.
- **AGROPYRE ET LÉGUMES VERTS FEUILLUS.** Le chou frisé, le chou, les épinards et les aiguilles de pin ne sont que quelques exemples des produits naturels pouvant être transformés en jus. Offrez-vous les meilleurs aliments naturels crus et pressez-les pour en tirer les avantages nutritionnels complets.
- **CÉLERI.** Le céleri est la plus courante des herbes dont le jus peut être extrait. Extraire le liquide des branches de céleri cru.

Alors que vous pouvez extraire le jus de fruits, de légumes-feuilles et d'herbes pour produire une boisson délicieuse, vous pouvez de temps en temps (ou toujours), extraire seulement un seul type de jus pour concentrer les avantages pour la santé d'un fruit, d'un légume ou d'une herbe.

Quand vous extrayez le jus du céleri, gardez les branches de céleri aussi entières que possible. Ne coupez pas le céleri en petits morceaux.

En cas d'utilisation du capuchon d'extrémité pour jus de céleri, ne produisez pas plus de 473 ml de jus de céleri à la fois sans nettoyer le capuchon d'extrémité. Si une pulpe sèche bloque la sortie du jus, desserrez le capuchon d'extrémité pour céleri. Retirez le capuchon d'extrémité et nettoyez-le avant de poursuivre l'extraction du jus.

- **ROBOT CULINAIRE.** Hache et émince tout en offrant les parfums naturels et les avantages nutritionnels de l'ail, des échalotes, du poivron rouge, du gingembre et de la plupart des aliments, y compris les herbes et les épices. Les aliments mous destinés aux régimes particuliers des bébés sont facilement et rapidement préparés grâce au réglage homogénéisateur.
- **BEURRES DE NOIX.** Préparez du beurre d'amandes, d'arachides, de graines de tournesol et plus encore avec des aliments entièrement naturels.
- **LAITS DE NOIX ET DE SOJA.** Utilisez des amandes, des pacanes, des cajous, des noisettes et vos noix favorites en vue de préparer des laits nutritifs. Vous pouvez également préparer du lait de noix de coco.
- **DESSERTS.** Préparez des desserts naturels sans produits laitiers ou gluten, faibles en gras, en sucre et en calories, qui goûtent comme vos glaces et vos friandises glacées préférées.
- **NOURRITURE POUR BÉBÉS.** Préparez des aliments pour bébés maison et assurez-vous ainsi que votre bébé s'alimente de fruits et de légumes nutritifs et faciles à digérer.
- **PÂTES.** Extrudez des spaghettis, des linguines ou des pains bâtons en seulement quelques minutes au moyen des buses pour pâtes incluses.



NETTOYAGE

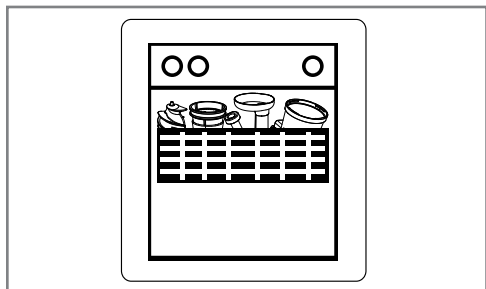
NETTOYAGE

NETTOYAGE QUOTIDIEN



Il est important de toujours rincer tous les côtés et surfaces des pièces d'extraction du jus à l'eau chaude, du liquide vaisselle et une brosse à rincer après chaque utilisation, pour éliminer les minéraux et débris.

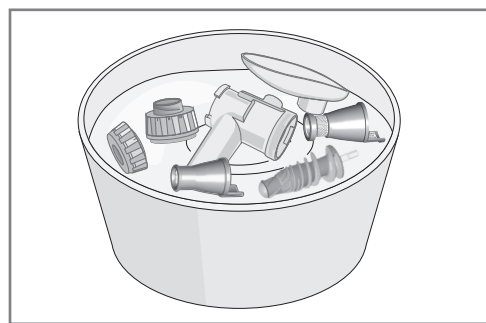
SYSTÈME DE NETTOYAGE AISÉ



Une fois l'extraction terminée, vous pouvez laver les pièces amovibles sur l'étagère supérieure du lave-vaisselle.

Assurez-vous que la température de l'eau ne dépasse pas 60 °C.

NETTOYAGE À FOND



Un nettoyage à fond doit être effectué au moins une fois par mois ou selon les besoins, en fonction de la fréquence d'utilisation. Pour effectuer un nettoyage à fond, vous aurez besoin d'un bol de 3,78 litres rempli d'eau chaude et d'environ une tasse de liquide vaisselle qui stipule spécifiquement qu'il élimine les accumulations de minéraux. Laissez les pièces tremper pendant une demi-heure, puis rincez-les soigneusement et séchez-les complètement.

Assurez-vous que la température de l'eau ne dépasse pas 60 °C.



MESURES DE PRÉCAUTION

MESURES DE PRÉCAUTION

Tous les utilisateurs de cet appareil doivent lire et comprendre les précautions à prendre avant de faire fonctionner l'appareil.

EXEMPLES DE SYMBOLES



Ce symbole indique que le contenu pourrait entraîner un risque d'incendie ou de décharge électrique.

L'avertissement précis figure dans le symbole.



Ce symbole indique des actions interdites.

Les interdictions précises figurent autour ou à l'intérieur du symbole



Ce symbole indique le contenu des mesures de réglementation et d'orientation.

Les interdictions précises figurent autour ou à l'intérieur du symbole.

PRÉCAUTIONS



ATTENTION Dangers ou pratiques dangereuses qui pourraient causer des blessures mineures ou endommager l'appareil.



NE PAS BRANCHER OU DÉBRANCHER L'APPAREIL LES MAINS MOUILLÉES.

Cela pourrait causer une décharge électrique ou une blessure.



NE PAS UTILISER AVEC UN VOLTAGE AUTRE QUE CELUI SPÉCIFIÉ.

Cela pourrait causer une décharge électrique, un incendie ou un rendement anormal. Si le voltage diffère, cela pourrait réduire la durée de vie du moteur ou entraîner une défaillance.



BRANCHER LE CORDON D'ALIMENTATION CORRECTEMENT ET FERMEMENT.

Cela pourrait causer une décharge électrique ou un incendie.



SI LE CORDON D'ALIMENTATION EST ENDOMMAGÉ, IL DOIT ÊTRE REMPLACÉ PAR LE FABRICANT, SON SERVICE OU UNE PERSONNE QUALIFIÉE AFIN D'ÉVITER TOUT DANGER.

Si le cordon d'alimentation est endommagé, il peut causer une décharge électrique ou un incendie.



NE JAMAIS MODIFIER L'APPAREIL. DE PLUS, NE PAS LE DÉMONTER NI LE RÉPARER SOI-MÊME. NE PAS INSÉRER DE DOIGTS, DE CORPS ÉTRANGERS OU D'OBJETS COMME UNE AIGUILLE DANS LES FENTES OU DANS LES TROUS DE LA BASE.

Cela pourrait causer une décharge électrique, un incendie ou une défaillance. Pour du soutien technique, communiquer avec un centre de service à la clientèle local autorisé..

MESURES DE PRÉCAUTION



NE PAS MOUILLER LA BASE OU ÉCLABOUSSEUR DE L'EAU SUR LA BASE.

Attention de ne pas laisser tout liquide ou toute substance s'introduire dans le commutateur de l'appareil. NE PAS UTILISER LE COMMUTATEUR LES MAINS MOUILLÉES. Cela pourrait causer une décharge électrique ou un incendie.



SI LE CORDON D'ALIMENTATION OU LE FIL EST BRISÉ OU ENDOMMAGÉ, OU QUE LA FICHE DEVIENT RELÂCHÉ, NE PAS UTILISER L'APPAREIL.

Cela pourrait causer une décharge électrique, un incendie ou une blessure.



POUR DES RAISONS DE SÉCURITÉ, METTRE LA CONNEXION À LA TERRE. NE JAMAIS RELIER À UNE CONDUITE DE GAZ, À UN TUYAU D'EAU EN PLASTIQUE OU À UNE LIGNE TÉLÉPHONIQUE.

Cela pourrait causer une décharge électrique, un incendie ou une défaillance et une explosion. S'assurer d'utiliser une prise de terre reliée au sol.



NE JAMAIS DÉMONTER LE BOL PENDANT QUE L'APPAREIL EST EN MARCHÉ NI INSÉRER LES DOIGTS OU DES CORPS ÉTRANGERS, COMME UNE FOURCHETTE OU UNE CUILLÈRE, DANS LE TUBE D'ALIMENTATION OU LA SORTIE DE JUS.

Cela pourrait causer une blessure, un accident ou une défaillance.



CET APPAREIL N'EST PAS DESTINÉ À L'UTILISATION PAR DES PERSONNES (NOTAMMENT LES ENFANTS) À CAPACITÉS PHYSIQUES, SENSORIELLES OU MENTALES RÉDUITES OU SANS EXPÉRIENCE NI CONNAISSANCE DU PRODUIT, SOUS RÉSERVE DE SURVEILLANCE OU D'INSTRUCTION PAR LA PERSONNE RESPONSABLE DE LEUR SÉCURITÉ LORS DE L'USAGE DE L'APPAREIL.

Il faut surveiller les enfants afin de s'assurer qu'ils ne jouent pas avec l'appareil.



NE PAS FAIRE FONCTIONNER L'APPAREIL SANS VERROUILLER CONVENABLEMENT LA TRÉMIE.

Cela pourrait causer une blessure ou une défaillance.



EN PRÉSENT D'UNE FUITE DE GAZ, NE PAS INSÉRER LA FICHE DU CORDON D'ALIMENTATION DANS UNE PRISE. OUVREZ LES FENÊTRES POUR VENTILER ENTIÈREMENT ET IMMÉDIATEMENT.

Cela pourrait causer une blessure ou une défaillance.



SI LA VIS DE PRESSAGE CESSE DE TOURNER AU COURS DU FONCTIONNEMENT NORMAL, APPUYER SUR LE BOUTON DE MARCHÉ ARRIÈRE [REV] ET LE MAINTENIR ENFONCÉ PENDANT 2 À 3 SECONDES. UNE FOIS L'OPÉRATION EN MARCHÉ ARRIÈRE TERMINÉE, APPUYER DE NOUVEAU SUR LE BOUTON [ON].

Si une telle interruption continue de se produire pendant l'exploitation, cela pourrait endommager les pièces et affaiblir le rendement en raison du surchauffage du moteur. Si le problème persiste, arrêter immédiatement l'appareil et communiquer avec le centre local de service à la clientèle.



NE JAMAIS INSÉRER UN DOIGT, UNE FOURCHETTE, UNE CUILLÈRE, ETC., DANS LA SORTIE DE JUS.

Cela pourrait causer une blessure ou une défaillance.

MESURES DE PRÉCAUTION



LORSQUE L'APPAREIL EST EN MARCHE, NE PAS TENTER DE DÉPLACER LA BASE, DE DÉMONTÉ LE BOL OU D'AUTRES PIÈCES AFIN DE LES VERRUILLER.

Cela pourrait causer une blessure ou une défaillance. En cas de toute mesure nécessaire, arrêter d'abord l'appareil et débrancher le cordon d'alimentation.



LORS DE L'UTILISATION DE L'APPAREIL, ATTENTION AUX CRAVATES, AUX LONGS COLLIERS, AUX ÉCHARPES, ETC., QUI POURRAIENT S'INTRODUIRE DANS LE TUBE D'ALIMENTATION.

Cela pourrait causer une blessure, une défaillance ou un bris.



POSER L'APPAREIL SUR UNE SURFACE PLANE ET STABLE.

Cela pourrait causer une blessure ou une défaillance.



NE PAS FAIRE FONCTIONNER L'APPAREIL PENDANT PLUS DE 30 MINUTES À LA FOIS.

Cela pourrait endommager le moteur en raison d'un surchauffage. Refroidir suffisamment l'appareil durant 5 minutes avant de continuer à l'utiliser.



POUR INTRODUIRE LES INGRÉDIENTS DANS LE TUBE D'ALIMENTATION, UTILISER SEULEMENT LE POUSSOIR FOURNI.

Cela pourrait causer une blessure ou une défaillance.



NE PAS LAISSER L'APPAREIL SUBIR UN CHOC SÉRIEUX ET NE PAS L'ÉCHAPPER.

Cela pourrait causer une décharge électrique, un incendie ou un bris.



SI L'APPAREIL A MAUVAISE ODEUR OU S'IL SURCHAUFFE ET LAISSE ÉCHAPPER DE LA FUMÉE, CESSER IMMÉDIATEMENT DE L'UTILISER ET COMMUNIQUER AVEC LE CENTRE LOCAL DE SERVICE À LA CLIENTÈLE.

Lors de l'utilisation d'un nouvel appareil, il a une odeur, mais celle-ci se dissipe naturellement avec le temps.



TOUJOURS DÉBRANCHER L'APPAREIL APRÈS UTILISATION. LORS DU DÉBRANCHEMENT DU CORDON, BIEN TENIR LE CORDON D'ALIMENTATION.

Débrancher l'appareil en tirant sur le cordon d'alimentation peut causer une décharge électrique ou un incendie.



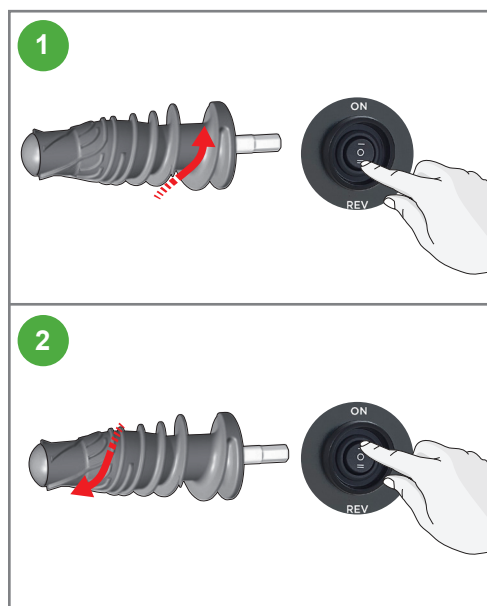
L'APPAREIL PÈSE ENVIRON 6.7 KG (14,77 LB). POUR DÉPLACER L'APPAREIL, TENIR FERMEMENT LES POIGNÉES AU BAS DE LA BASE AVEC LES DEUX MAINS.

Déplacer l'appareil en tenant le bol ou le rebord de la base fait tomber la base, ce qui peut causer une blessure ou une défaillance.



**SI LA VIS DE PRESSAGE
CESSE DE FONCTIONNER**

SI LA FOREUSE CESSE DE FONCTIONNER



Appuyer sur le bouton [REV] pendant 3 à 5 secondes, puis relâcher. Lorsque le bouton [REV] est relâché, la vis de pressage cessera de tourner. Répéter cette démarche 2 ou 3 fois. Le bouton [REV] pousse les ingrédients vers le haut et libère les aliments coincés.

Appuyer sur le bouton [ON] pour utiliser l'appareil correctement. Lorsque le bouton [ON] ou [REV] est utilisé, s'assurer que la vis de pressage s'arrête complètement après l'arrêt de l'appareil ou le relâchement du bouton.

Remarque :

Si, après avoir suivi les consignes ci-dessus, l'extracteur à jus ne fonctionne toujours pas, débrancher le cordon d'alimentation, démonter et nettoyer la cuve, puis réessayer.



PRÉPARATION

CÉLERI

FRUITS ET LÉGUMES

HERBE DE BLÉ ET LÉGUMES VERTS

ÉMINCER ET HACHER BEURRES DE NOIX

LAITS DE NOIX ET DE SOJA

DESSERTS

NOURRITURE POUR BÉBÉS

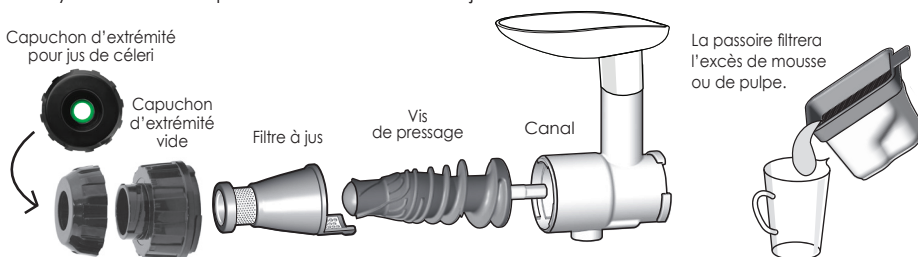
PÂTES ET PAINS BÂTONS

PRÉPARATION

CÉLERI

Filtre à extraction de jus | Capuchon d'extrémité pour jus de céleri | Aucune buse nécessaire

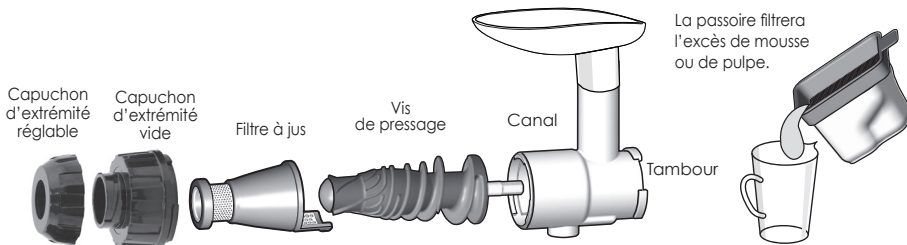
- Lavez complètement le céleri pour retirer les produits chimiques accumulés.
- Quand vous extrayez le jus du céleri, gardez les branches de céleri aussi entières que possible. Ne coupez pas le céleri en petits morceaux.
- Il se peut qu'un peu de jus sorte dans le bol à pulpe et non pas dans le bol à jus. C'est normal. Ceci peut continuer à se produire jusqu'à ce que l'aire d'éjection soit remplie de pulpe.
- En cas d'utilisation du capuchon d'extrémité pour jus de céleri, ne produisez pas plus de 473 ml de jus de céleri à la fois sans nettoyer le capuchon d'extrémité. Si une pulpe sèche bloque la sortie du jus, desserrez le capuchon d'extrémité pour céleri. Retirez le capuchon d'extrémité et nettoyez-le avant de poursuivre l'extraction du jus.



FRUITS ET LÉGUMES

Filtre de jus | Bouchon d'extrémité ajustable | Aucune buse nécessaire

- Laver bien les ingrédients frais pour en retirer l'accumulation de produits chimiques. Le système alimentaire Omega® peut extraire le jus de fruits et légumes non pelés, mais il se peut que vous préféreriez peler les aliments au préalable selon vos goûts.
- Le traitement des aliments mous est plus facile s'ils sont réfrigérés.
- Coupez les fruits et légumes en petits morceaux pour les insérer dans le tambour.
- Allumez l'appareil [Marche] et laissez-le fonctionner sans interruption jusqu'à l'extraction complète du jus.
- Alternez entre les aliments mous et durs. Idéalement, il vaut mieux commencer par un aliment mou.
- Si la pulpe commence rendre le fonctionnement normal.
- Après avoir posé le dernier fruit ou légume dans l'entonnoir, garder l'appareil en marche pendant quelques secondes afin de vous assurer que toutes les gouttes de jus sont extraites.
- Après chaque utilisation, nettoyez tous les morceaux qui ont touché les aliments ou le jus.
- Vous pouvez extraire le jus d'aliments normalement non utilisés pour la préparation des repas, par exemple, les bouts de carottes ou de betteraves.

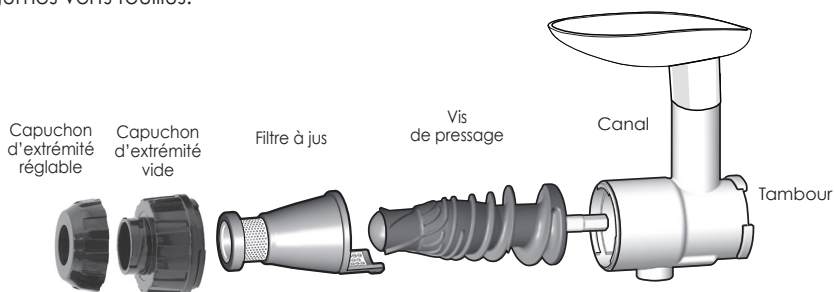


PRÉPARATION

HERBE DE BLÉ ET LÉGUMES VERTS

Filter à jus | Capuchon d'extrémité réglable | Aucune buse nécessaire

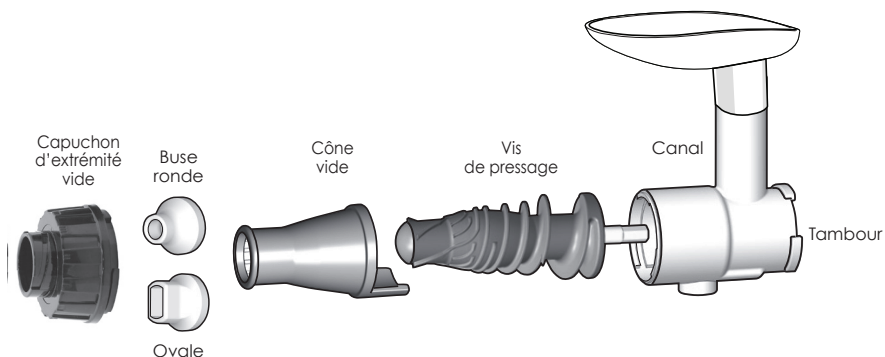
- Lavez bien les ingrédients frais afin d'en retirer les produits chimiques accumulés.
- Ne remplissez pas trop le tube d'alimentation. Introduisez de petites quantités d'aliments. Permettez l'extraction de tout le jus avant d'ajouter le prochain aliment.
- Certains jus peuvent être versés dans le contenant à pulpe et non dans le bol à jus. Cela est tout à fait normal. Cela se produira jusqu'à ce que la zone d'éjection soit remplie de pulpe.
- En cas d'extraction d'un aliment visant à ajouter du goût, veuillez l'insérer durant la première moitié du processus. Les aliments ajoutés à la fin risquent de ne pas apporter un plein arôme.
- Certaines boissons de légumes verts peuvent avoir un goût trop prononcé pour certaines personnes. Vous pouvez ajouter du citron, des pommes, du gingembre, des carottes ou des betteraves en guise de sucre naturel en vue de diluer le goût de l'herbe de blé et des légumes verts feuillus.



ÉMINCER ET HACHER

Cône vide | Capuchon d'extrémité réglable | Buse ronde/ovale

- Utilisez l'appareil comme un robot culinaire afin de préparer des marinades, des salsas, des soupes et des sauces.
- Émincez ou hachez de la viande, du poisson, des herbes, du riz trempé ou des fèves. Enlevez tout le gras présent sur la viande ou la volaille si vous ne souhaitez pas qu'il se retrouve dans le produit fini. Dépecez et écaillez le poisson avant le traitement.

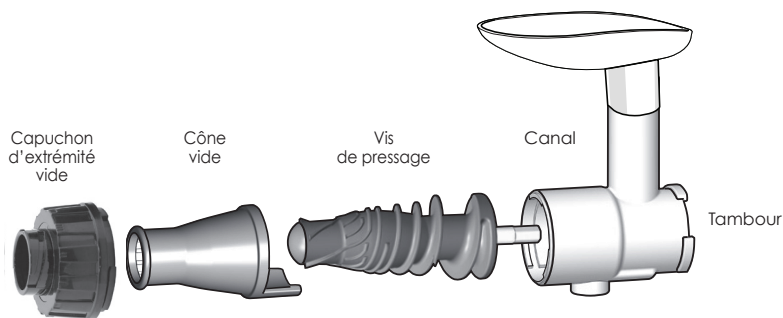


PRÉPARATION

BEURRES DE NOIX

Cône vide | **Capuchon d'extrémité réglable** | **Aucune buse nécessaire**

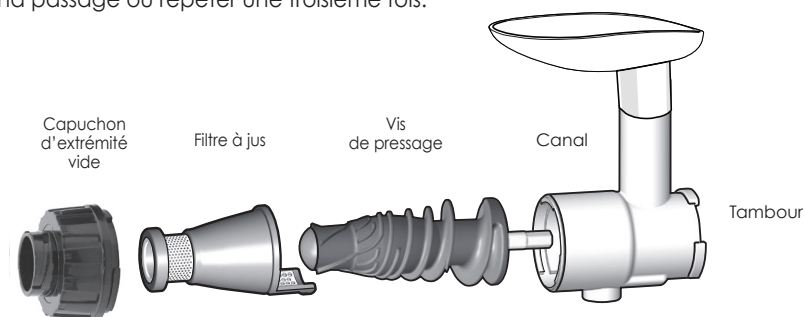
- Les beurres de noix sont une forme naturelle de beurre d'arachides, d'amandes, de graines de tournesol, etc.
- Retirez la peau et les coquilles des noix. Allumez l'appareil en appuyant sur [ON]. Commencez à ajouter des noix.
- Passez les noix dans le système alimentaire au moins deux ou trois fois, jusqu'à l'obtention d'une texture lisse.



LAITS DE NOIX ET DE SOJA

Filtre à jus | **Capuchon d'extrémité réglable** | **Aucune buse nécessaire**

- Les laits de noix sont extraits des amandes, noix de pecan, cajous, noisettes, etc. Vous pouvez également faire du lait de noix de coco et de soja.
- Trempez les noix dans l'eau pendant 4 à 8 heures.
- Rincez et égouttez bien les noix. Ajoutez de l'eau fraîche aux noix trempées. Nous recommandons 3 tasses d'eau par tasse de noix. Ajoutez davantage d'eau pour une consistance plus fluide, et moins d'eau pour une consistance plus épaisse.
- Allumez l'appareil [ON (MARCHE)]. Versez les noix trempées et un peu de l'eau fraîche avec une louche dans la goulotte d'alimentation. Facultatif : Ajoutez la pulpe au bol d'eau restante et ajoutez-la encore une fois dans l'extracteur de jus avec une cuiller pour une saveur accrue et une texture plus crémeuse. Vous pouvez arrêter après le second passage ou répéter une troisième fois.



PRÉPARATION

DESSERTS

Cône vide | **Capuchon d'extrémité réglable** | **Aucune buse nécessaire**

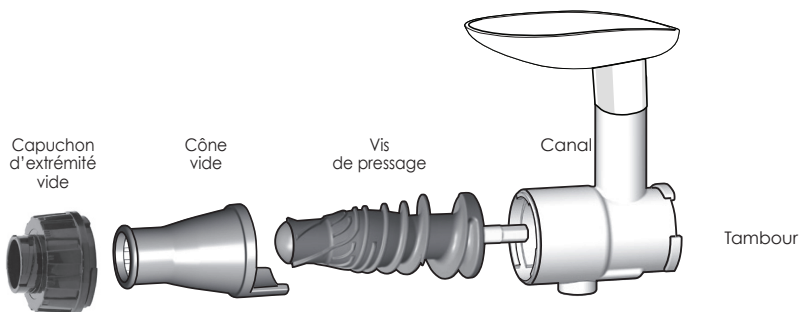
- Préparez des desserts congelés sans gras, ni sucre, ni calories ajoutés.
- Faites décongeler les fruits surgelés durant 5 à 10 minutes. Allumez l'appareil en appuyant sur [ON]. Faites passer les fruits dégelés dans le système alimentaire et servir.
- Les parfums de sorbet aux fruits les plus populaires sont : banane, cerise, mûre, bleuet, framboise, fraise, melon d'eau, kiwi, mangue, poire, ananas, pêche, raisin, orange et plus encore!
- Vous pouvez aussi faire des limonades glacées et de la glace avec des ingrédients entièrement naturels. Vous trouverez des recettes au www.OmegaJuicers.com.

NOURRITURE POUR BÉBÉS

Cône vide | **Capuchon d'extrémité réglable** | **Aucune buse nécessaire**

- Préparer des aliments pour bébés maison à l'aide de votre appareil Omega est une expérience gratifiante, car cela permet de vous assurer que votre bébé s'alimente de fruits et de légumes nutritifs et faciles à digérer. Votre bébé a aussi l'occasion de goûter régulièrement à une grande variété de textures et de goûts sans agents de conservation ni additifs artificiels.
- Commencez par faire cuire les fruits ou les légumes, à la vapeur, au four ou dans l'eau bouillante. La cuisson à la vapeur est la méthode qui permet de conserver le plus de nutriments.
- Les fruits tels que les pommes, les poires, les pêches, les prunes, les mangues et les fraises sont faciles à réduire en purée.
- Les légumes tels que les pommes de terre, les carottes, les patates douces, le brocoli et les courges sont faciles à réduire en purée.
- Allumez l'appareil en appuyant sur [ON]. À l'aide d'une cuillère, mettez les légumes ou les fruits cuits dans l'orifice de la trémie, avec une partie du liquide de cuisson. L'ajout du liquide aide à conserver les nutriments libérés dans l'eau durant la cuisson.

Les recettes ci-haut sont préparées à l'aide des accessoires ci-dessous.



PRÉPARATION

PÂTES ET PAINS BÂTONS

Cône vide | Capuchon d'extrémité réglable | Buse ronde, plane ou pour pains bâtons

- Cet appareil est conçu pour extruder des pâtes et non pour les confectionner. Préparez la pâte à la main ou au moyen d'un mélangeur.
- Saupoudrer une petite quantité de farine sur la pâte, sur la trémie du système alimentaire et dans le tambour afin d'éviter qu'elle ne colle.
- Ajouter de l'eau à la pâte si elle devient trop sèche.
- Pour extruder des pâtes :

Choisissez le type de buses que vous préférez et placez la buse sur le tambour.

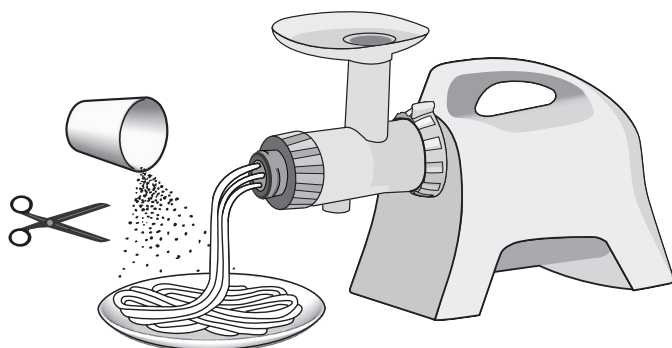
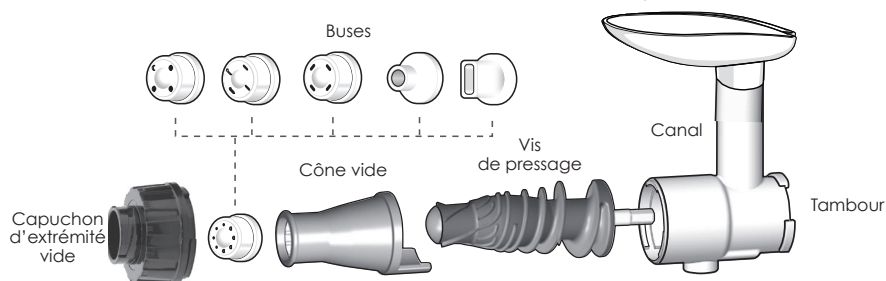
Façonnez la pâte en boules ou en tubes légèrement plus petits que l'ouverture du tambour du système alimentaire.

Allumez l'appareil en appuyant sur [ON]. Passez la pâte dans le système alimentaire. Si vous introduisez de la pâte sans interruption, vous obtiendrez des nouilles plus longues à mesure que les pâtes sortent. Les pâtes peuvent ensuite être coupées selon la longueur désirée avec des ciseaux ou un couteau.

Les pâtes fraîches doivent être cuites dans l'eau bouillante. Les pâtes fraîches cuisent plus rapidement que les pâtes emballées.

Si vous voulez rehausser le goût de vos pâtes, ajoutez des épinards, du basilic ou des tomates séchées. Le jus et la pulpe de légume restant peuvent également être intégrés aux pâtes pour ajouter un arôme.

Votre choix de buse déterminera la taille et la forme des pâtes.





DIAGNOSTIC DE DÉFAILLANCE

DIAGNOSTIC DE DÉFAILLANCE

Veillez tenter de diagnostiquer la défaillance de l'appareil en vous référant aux détails ci-dessous avant de communiquer avec le centre de service à la clientèle d'Omega aux fins de réparation ou de service. Lorsque vous communiquez avec Omega aux fins de service après-vente, ayez sous la main le numéro de série et le code à barres du produit.

L'appareil ne fonctionne pas

- Assurez-vous que le cordon d'alimentation est correctement branché.
- Assurez-vous que la trémie est assemblée correctement. Si la trémie n'est pas en place et verrouillée, l'appareil ne fonctionnera pas.
- Assurez-vous que l'appareil est assemblé selon les instructions qui figurent dans le présent manuel. Référez-vous aux instructions.
- Si l'appareil ne fonctionne toujours pas, veuillez communiquer avec le service à la clientèle d'Omega pour obtenir un soutien additionnel.

La trémie ne s'ouvre pas

- S'il y a beaucoup de pulpe dans la cuve, appuyer sur [ON] pour libérer l'excès de pulpe.
- Vérifiez que l'appareil ne contient aucun corps étranger ni objet solide comme des pépins.
- Appuyez sur le bouton [REV] pour repousser les ingrédients coincés vers le haut.
- Ne pas forcer pour ouvrir. Si la trémie ne s'ouvre toujours pas, veuillez communiquer avec le service à la clientèle d'Omega pour un soutien additionnel.

L'appareil cesse de fonctionner durant son exploitation normale

- Vérifiez si des morceaux d'aliments sont coincés dans l'appareil.
- Référez-vous à la section « Si la vis de pressage cesse de fonctionner » du présent manuel et suivez les consignes relatives au bouton [REV].
- Si l'appareil ne fonctionne toujours pas, veuillez communiquer avec le service à la clientèle d'Omega pour obtenir un soutien additionnel.

Lignes fines ou égratignures autour de la vis de pressage

- Cela est tout à fait normal. Ne vous inquiétez pas. Ces marques de moulure découlent du processus normal de fabrication.

Fuites de jus sur la base de l'appareil

- Vérifiez si une quantité excessive d'aliments se trouve dans l'orifice de la trémie.
- Si vous tentez d'extraire une grande quantité d'aliments comparativement à l'évacuation de la pulpe, le dispositif d'étanchéité sera légèrement repoussé. Cette fente peut être la cause de la fuite de jus.
- Ne tentez pas de mettre trop d'aliments dans l'extracteur à jus. Aux fins d'extraction, poussez graduellement les aliments.
- Vérifiez si le rabat de jus est fermé.

L'extracteur de jus tremble pendant l'utilisation

- Cela est normal et est causé par la rotation de la vis de pressage. Ce n'est pas une défectuosité. Les ingrédients durs, comme les carottes, les pommes de terre, les radis et les betteraves, peuvent susciter davantage de tremblement que les ingrédients plus mous.
- Selon la fermeté des ingrédients, il peut y avoir un tremblement plus prononcé.
- Un tremblement léger est attribuable au moteur.



INFORMATION SUR LE PRODUIT

INFORMATION SUR LE PRODUIT

Nom du produit	Extracteur de jus et système de nutrition polyvalent Omega® Cold Press 365®
Modèle	MM1500
Tension	220-240 V
Fréquence	50/60 Hz
Consommation électrique	200 watts
Vitesse de rotation	80 tr/min
Longueur du cordon d'alimentation	1500 mm (60 po)
Moteur	2 ch
Poids du produit	6,7 kg (14.7 lb)
Poids à l'expédition	9,5 kg (20.9 lb)
Dimensions externes	Largeur : 154 mm (6,1") Profondeur : 470 mm (18,5") Hauteur : 312 mm (12,3")
Durée nominale de fonctionnement	Inférieure à 30 minutes





RECETTES

Lait d'Amande

Ingrédients:

2 tasses d'amandes non salées
6 tasses d'eau distillée

PRÉP 12 heures MÉTHODE 4 minutes

Méthode:

- 1 Faire tremper les amandes dans 3 tasses d'eau durant la nuit. Égoutter.
- 2 Place almonds in 3 cups of fresh water.
- 3 Au moyen du filtre de jus du Système alimentaire Omega®, verser à la louche les amandes et l'eau dans la extracteur de jus. Si vous préférez un lait plus liquide, ajoutez de l'eau.
- 4 Vous pouvez sucrer le lait en ajoutant 1 cuillère à thé de miel, de nectar d'aguave, de sucre de canne ou de sirop d'érable. Vous pouvez faire du lait d'amandes ou du lait au chocolat aux amandes en ajoutant 1 cuillère à table de poudre de cacao sans sucre.

Lait de Soja

Ingrédients:

1 tasse de soja biologiques
6 tasses d'eau
une pincée de sel
½ cuillère à thé d'extrait de vanille
1 cuillère à thé d'aguave
ou autre édulcorant
1 cuillère à thé de cannelle

PRÉP 10 minutes MÉTHODE 35 minutes

Méthode:

- 1 Faire tremper les amandes dans 3 tasses de soja durant la nuit. Égout
- 2 Placer le soja dans 3 tasses d'eau fraîche. Au moyen du filtre de jus du Système alimentaire Omega®. Verser à la louche les sojas et l'eau dans le jus. Si vous préférez un lait plus liquide, ajoutez de l'eau.
- 3 Transférer le lait dans une casserole sur la cuisinière. Amener le lait à ébullition. Baisser ensuite le feu à doux et laisser mijoter durant 25 minutes. Prélever tout film ou mou
- 4 Retirer du feu et assaisonner avec du sel, de l'extrait de vanille, de l'aguave et de la cannelle. Mélanger et savourer.

Beurre d'Arachides

Ingrédients:

- 2 tasses d'arachides rôties sans coquilles et sans peau
- 1 cuillère à table d'huile de pépins de raisins
- 2 cuillères à thé de nectar de noix de coco
- 1 cuillère à thé de sel réel

PRÉP 5 minutes MÉTHODE 10 minutes

Méthode:

- 1 Avec un Système alimentaire Omega®, substituer le cône d'extraction de jus par le cône vide; assembler la buse de pâtes voulue.
- 2 Commencer à verser les noix dans l'entonnoir. Les passer 2 ou 3 fois jusqu'à ce que l'huile apparaisse.
- 3 Transférer dans un bol et mélanger tous les ingrédients à la main, avec cuillère.
- 4 Verser le mélange dans le Système alimentaire Omega®.

Beurre Aux Noix à la Pâte à Biscuits

Ingrédients:

- 2 cups dry cashews
- 6 tablespoons coconut nectar
- 1 tbsp coconut oil
- 2 tsp vanilla powder
- ½ tsp real salt

PRÉP 5 minutes MÉTHODE 8 minutes

Méthode:

- 1 Avec un Système alimentaire Omega®, substituer le cône d'extraction de jus par le cône vide; assembler la buse de pâtes voulue.
- 2 Commencer à verser les noix dans l'entonnoir. Les passer 2 ou 3 fois jusqu'à ce que l'huile apparaisse.
- 3 Transférer dans un bol et mélanger à la main tous les ingrédients, avec une cuillère. Verser le mélange dans le Système alimentaire une fois de plus.

Pâtes Maison

Ingrédients:

1 tasse de farine
1 oeuf battu
2 cuillères à table d'eau
½ cuillère à thé de sel

PRÉP 5 minutes MÉTHODE 5 minutes

Méthode:

- 1 Dans un grand bol, mélanger la farine et le sel.
- 2 Faire un puits au centre du mélange de farine et de sel, puis ajouter l'oeuf. Si la pâte est trop ferme, ajouter de l'eau.
- 3 Avec un Système alimentaire Omega®, substituer le cône d'extraction de jus par le cône vide; choisir la buse de pâtes voulue.
- 4 Passer la pâte par l'entonnoir et couper les nouilles selon la longueur voulue.

Pâtes Sans Oeufs

Ingrédients:

2 tasses de semoule
½ cuillère à thé de sel
½ tasse d'eau chaude

PRÉP 5 minutes MÉTHODE 5 minutes

Méthode:

- 1 Dans un grand bol, mélanger la semoule et le sel, puis ajouter de l'eau (en ajouter plus si la pâte est trop ferme).
- 2 Avec un Système alimentaire Omega®, substituer le cône d'extraction de jus par le cône vide; choisir la buse de pâtes voulue.
- 3 Passer la pâte par l'entonnoir et couper les nouilles selon la longueur voulue.

Pains Bâtons

Ingrédients:

2 ¼ sachet de levure sèche active
 1 ½ tasse d'eau chaude
 ½ tasse de lait chaud
 2 cuillères à table de sucre
 3 cuil. à table de beurre, séparées et fondues
 ½ cuillère à thé de sel casher
 ½ cuillère à thé d'ail émincé
 ¾ cuil. à thé d'assaisonnement
 à l'italienne séché
 4 ½ - 5 ½ tasses de farine
 ¼ tasse de fromage parmesan râpé

PRÉP 15 minutes MÉTHODE 5 minutes

Méthode:

- 1 Dans un grand bol, mélanger l'eau et la levure et laisser reposer jusqu'au bouillonnement (7-10 minutes).
- 2 Ajouter le lait, le sucre, le beurre, le sel casher et 2 tasses de farine. Battre jusqu'à une consistance lisse. Ajouter le fromage parmesan et le reste de la farine jusqu'à ce qu'une pâte molle se forme.
- 3 Avec un Système alimentaire Omega®, substituer le cône d'extraction de jus par le cône vide; choisir la buse de pains bâtons voulue.
- 4 Passer la pâte par l'entonnoir et repasser à nouveau 7 à 8 fois. Diviser la pâte en portions égales.

Un verre de Salsa

Ingrédients:

2 tomates
 ¼ oignon
 ½ limette
 1 piment fort
 5 branches de ciboulette
 fraîche

PRÉP 5 minutes JUS minutes

Méthode:

- 1 Bien laver tous les aliments.
- 2 Peler la limette (facultatif).
- 3 Ajouter tous les ingrédients dans votre Système alimentaire Omega® et presser.
- 4 Servir et savourer.

Aliments pour bébés - Compote de Pommes

Ingrédients:

3 pommes rouges moyennes

PRÉP 15 minutes MÉTHODE 6 minutes

Méthode:

- 1 Cuire à la vapeur 3 pommes rouges moyennes pelées et épépinées.
- 2 Avec un Système alimentaire Omega®, substituer le cône d'extraction de jus par le cône vide; choisir la buse voulue.
- 3 Passer dans le Système alimentaire Omega®.

Ajouter une pincée de cannelle.
Donne 1 tasse.

Aliments pour bébés - Ignames

Ingrédients:

2 ignames

PRÉP 30 minutes MÉTHODE 5 minutes

Méthode:

- 1 Cuire les pommes de terre à la vapeur de 20 à 25 minutes.
- 2 Passer dans le Système alimentaire Omega®.
- 3 1 grosse igname donne environ 1 tasse.

Aliments pour bébés - Carottes

Ingrédients:

3 grosses carottes

PRÉP 30 minutes MÉTHODE 5 minutes

Méthode:

- 1 Cuire les carottes à la vapeur.
- 2 Avec un Système alimentaire Omega®, substituer le cône d'extraction de jus par le cône vide; choisir la buse voulue.
- 3 Passer les carottes dans le Système alimentaire Omega®.

Trois grosses carottes donne environ 1 tasse.

Aliments pour bébés - Petits Pois

Ingrédients:

Petits pois

PRÉP 3 minutes MÉTHODE 6 minutes

Méthode:

- 1 Égoutter les pois durant la préparation. Nul besoin de cuire à la vapeur, au goût.
- 2 Avec un Système alimentaire Omega®, substituer le cône d'extraction de jus par le cône vide; choisir la buse voulue.
- 3 Ensuite, passer les pois dans le Système alimentaire Omega®. Convient idéalement aux enfants âgés de 1 à 2 ans (le plus jeunes ont de la difficulté à les digérer).

Boost Revigorant

Ingrédients:

½ betterave
 5 feuilles d'épinard
 ¼ cabbage
 1 tige de brocoli
 ½ pamplemousse
 ½ citron
 1 orange
 1 kiwi
 2 petits morceaux de gingembre

PRÉP 2 minutes JUS 4 minutes

Méthode:

- 1 Couper les fruits et légumes en morceaux pour l'entonnoir
- 2 Presser dans le Système alimentaire Omega®
- 3 Verser sur glace
- 4 Savourer!

Rêve Australien

Ingrédients:

2 betteraves (betterave australienne)
 2 carottes biologiques
 1 tasse de fraises biologiques
 2 tasses de feuilles de chou vert frisé
 (6 à 8)
 (chou australien foscan)

PRÉP 3 minutes JUS 6 minutes

Méthode:

- 1 Bien laver tous les aliments.
- 2 Couper en morceaux de taille nécessaire
- 3 Presser dans un Système alimentaire Omega®.
- 4 Verser sur glace et savourer

Agrumes Ensoleillées

Ingrédients:

2 pamplemousses (pelés)
1 poivron rouge
2 poires
6 carottes

PRÉP 5 minutes JUS 5 minutes

Méthode:

- 1 Bien laver tous les ingrédients
- 2 Presser tous les aliments dans un Système alimentaire Omega® et savourer!

Portion : 16 à 18 oz

Regorge de vitamine C et de bêta-carotène, ainsi que de vitamines A et K et même de cuivre.

Jus de Pommes & Kiwi

Ingrédients:

2 pommes
3 kiwis

PRÉP 5 minutes JUS 5 minutes

Méthode:

- 1 Laver les pommes, puis dénoyauter et couper en quarts.
- 2 Peler les kiwis et hacher en petits morceaux.
- 3 Presser les ingrédients dans votre Système alimentaire Omega®.
- 4 Remuer avant de consommer.

Boost Santé Intégral

Ingrédients:

1 pomme moyenne,
pelée et coupée en cubes
2 poires moyennes mûres,
pelées et tranchées en cubes
½ tasse cerises fraîches
(dénoyautés ou surgelés et dégelés)

PRÉP 5 minutes JUS 5 minutes

Méthode:

- 1 Dans votre Système alimentaire Omega®, presser la pomme, les poires et les cerises.
- 2 Avant de servir, garnir avec des cerises fraîches au goût.

Concombre Puissant

Ingrédients:

1 concombre
1 feuille de « chou vert »
1 poignée de chou-fleur
½ citron (zeste jaune pelé)

PRÉP 5 minutes JUS 5 minutes

Méthode:

- 1 Laver tous les fruits et légumes.
- 2 Ajouter tous les ingrédients dans votre extracteur de jus Omega et presser.
- 3 Verser dans un verre et savourer.

Agrumes Ensoleillées

Ingrédients:

1 tasse de pêches en dés
 1 tasse de mangues en dés et pelées
 1 orange fraîchement pressée
 ½ tasse d'eau de noix de coco
 1 c. à thé de nectar d'agave

Méthode:

- 1 Dans votre Système alimentaire Omega®, presser tous vos ingrédients jusqu'à consistance ctueuse et tamiser au goût.
- 2 Servir froid et garnir d'une tranche de pêche.

PRÉP 5 minutes JUS 5 minutes

Rêverie des îles Sorbet

Ingrédients:

½ tasse de morceaux d'ananas surgelés
 ½ tasse de bananes surgelés
 1 tasse de fraises surgelés
 ½ tasse de mangues surgelés en morceaux
 2 cuillères à table de ocons de noix de coco

Méthode:

- 1 Mélanger tous les ingrédients dans un bol. Dégeler légèrement avant de les passer dans le Système alimentaire Omega®.
- 2 Changer le cône d'extraction de jus pour le cône vide et assembler votre buse de choix.
- 3 Commencer à verser et à pousser les ingrédients dans l'entonnoir. Servir.

PRÉP 5 minutes MÉTHODE 5 minutes

Limonade Congelée Sorbet

Ingrédients:

6 cuillères à table de jus de citron
3 cuillères à table de miel cru
1 tasse d'eau

PRÉP 6 heures

MÉTHODE 5 minutes

Méthode:

- 1 Faire chauffer le jus de citron et le miel au micro-ondes pendant 10 à 20 secondes. Ajouter l'eau et mélanger.
- 2 Geler le mélange dans un bac à glaçons ou dans un moule à Popsicle.
- 3 Avec un Système alimentaire Omega®, substituer le cône d'extraction de jus par le cône vide et installer la buse voulue.
- 4 Dégeler légèrement les cubes de citron avant de les passer dans le Système alimentaire Omega®. Servir.

Glace de Rêve Orangée Sorbet

Ingrédients:

4 oranges/mandarines surgelées
et pelées
1 tasse de yogourt à la vanille

PRÉP 5 minutes

MÉTHODE 5 minutes

Méthode:

- 1 Geler le yogourt et peler les quartiers d'orange.
- 2 Dégeler légèrement avant de passer dans le Système alimentaire Omega®.
- 3 Substituer le cône d'extraction de jus par le cône vide et installer la buse voulue.
- 4 Verser et pousser les ingrédients dans l'entonnoir, en alternant entre le yogourt et les quartiers d'orange. Servir.



¡Felicidades!

FELICIDADES por la compra de su nuevo Omega.

En Omega, nos esforzamos por ofrecer máquinas tecnológicamente avanzadas que ayudan a brindar el máximo nivel de nutrición y de sabor, de la forma más parecida a la pureza de la naturaleza. Somos impulsados por ustedes, los seguidores de nuestra marca. Su entusiasmo nos ayuda a seguir renovando y reinventando nuestra línea de extractores, licuadoras de alta velocidad y equipos para bebidas. Nuestro equipo en Omega le agradece por apoyarnos durante más de 50 años.

SIGUE A OMEGA JUICERS EN LAS REDES SOCIALES:



PARA REGISTRO DEL PRODUCTO, VISITE:

www.omegajuicers.com/omega-warranty-registration

PARA RECETAS, VISITE: **www.omegajuicers.com/recipes**

PARA SERVICIO AL CLIENTE:

Visite **www.omegajuicers.com**

Después de usar su producto Omega, por favor califíquelo en:

www.OmegaJuicers.com

ÍNDICE

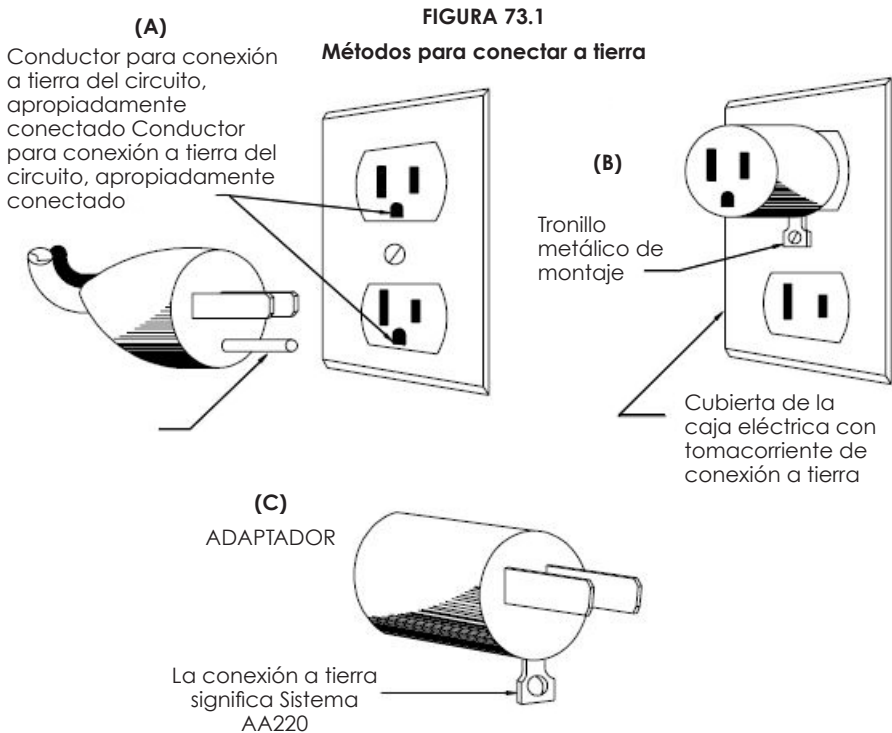
86 - 87	La seguridad primero. Medidas de seguridad importantes
88 - 89	Conozca su Omega
90 - 91	Ensamblado de inicio rápido
92 - 93	Instrucciones de uso
94 - 95	Sistema de nutrición multipropósito
96 - 97	Limpieza
98 - 101	Precauciones de precaución para un uso seguro
102 - 103	Si el anillo sinfín deja de funcionar
104 - 109	Cómo preparar
105	Celery
105	Frutas y vegetales
106	Pasto de trigo y verduras
106	Picar y cortar
107	Mantequillas de nueces
107	Leches de nueces y soya
108	Postresé
108	Papillas
109	Pasta y palitos de pan
110- 111	Resolución de problemas
112 - 113	Especificaciones del producto
114 - 125	Recetas



DISPOSICIONES DE SEGURIDAD IMPORTANTES

ADVERTENCIA: INSTRUCCIONES PARA CONECTAR A TIERRA.

Al usarse, este electrodoméstico tiene que estar conectado a tierra para proteger al operador contra descarga eléctrica. El electrodoméstico cuenta con un cable de 3 conductores con enchufe de 3 espigas del tipo de conexión a tierra para encajar en el receptáculo apropiado correspondiente. El electrodoméstico tiene un enchufe similar al **diagrama A** en la **Figura 73.1**. Un adaptador —**diagrama B**— debe usarse a fin de conectar los enchufes del **diagrama A** a receptáculos para dos espigas. La lengüeta para conectar a tierra que se extiende desde el adaptador tiene que conectarse a tierra de manera permanente mediante dispositivo tal como una caja eléctrica con tomacorriente de apropiada conexión a tierra, como se muestra en el **diagrama C**, usando un tornillo metálico.



DISPOSICIONES DE SEGURIDAD IMPORTANTES

Al usar el electrodoméstico deben seguirse siempre las precauciones básicas de seguridad, incluyendo las siguientes.

1. LEE TODAS LAS INSTRUCCIONES ANTES DE USAR.
2. Para evitar descargas eléctricas, no sumerjas el cable, el enchufe ni el cuerpo (motor) en agua u otro líquido.
3. Cet appareil n'est pas conçu pour une utilisation par des personnes (y compris les enfants) aux capacités physiques, sensorielles ou mentales diminuées ou manquant d'expérience et de connaissances, à moins qu'elles ne reçoivent une supervision étroite et soient rigoureusement instruites en matière de l'utilisation de l'appareil par une personne responsable de leur sécurité. Une surveillance étroite est de rigueur lorsqu'un appareil quelconque est utilisé par ou à proximité des enfants. Les enfants doivent être surveillés pour s'assurer qu'ils ne jouent pas avec l'appareil.
4. Desenchufa la unidad del tomacorriente cuando no se esté en uso, antes de colocar o retirar piezas y antes de limpiar.
5. Evita el contacto con las partes móviles. Desenchufa la unidad del tomacorriente cuando no se esté en uso, antes de colocar o retirar piezas y antes de limpiar.
6. No operes ningún electrodoméstico con un cable o enchufe dañado, o después de que el aparato funcione mal o cuando haya sido dañado de cualquier manera. Devuelve el electrodoméstico al fabricante (consulta la garantía) para examen, reparación o ajuste eléctrico o mecánico.
7. El uso de accesorios no recomendados o vendidos por el fabricante puede causar incendios, descarga eléctrica o lesiones.
8. No dejes que el cable cuelgue del borde de una mesa o mostrador ni que entre en contacto con superficies calientes.
9. Siempre asegúrate de que la cubierta del extractor de jugos esté bien sujeta en su lugar antes de encender el motor. No zafes las abrazaderas mientras el extractor de jugos esté en funcionamiento.
10. Asegúrate de apagar el interruptor tras cada uso de tu extractor de jugos. Asegura que el motor se detenga completamente antes de desarmar.
11. NO pongas tus dedos ni otros objetos en el extractor de jugos mientras está en funcionamiento. Si se atascan alimentos en la abertura, usa el empujador de alimentos u otro pedazo de fruta o vegetal para empujarlos hacia abajo. Si por este método no es posible desatascar, apaga la máquina, retira el enchufe del tomacorrientes de pared y desarma el extractor de jugos para retirar los restos de alimentos.
12. No usar en exteriores.
13. No colocar sobre o cerca de gas caliente, quemador eléctrico u horno calentado.
14. No uses este equipo eléctrico para fines diferentes a aquellos previstos.
15. Mantén las manos y los utensilios alejados de las cuchillas o discos en movimiento mientras procesas los alimentos para reducir el riesgo de lesiones graves a las personas o daños al procesador de alimentos. Se puede usar un raspador, pero únicamente cuando el procesador de alimentos no esté en funcionamiento.
16. Las cuchillas están afiladas. Manipula con cuidado.
17. Mantén el electrodoméstico limpio. Consulta las instrucciones de mantenimiento y limpieza en este manual.
18. NO lo enchufes hasta que estés familiarizado con todas las instrucciones y procedimientos operativos.
19. NO lo desenchufes del tomacorriente tirando del cable. Para desconectar, agarra el enchufe, no el cable, y hala.
20. Apaga todos los controles antes de desenchufar o enchufar a un tomacorriente.
21. Este aparato no puede moler la carne.
22. Revisa la tolva en busca de objetos extraños antes de usar.
23. Piezas móviles: mantén los dedos fuera de las aberturas de descarga.
24. Cuchilla afilada: siempre usa el empujador de alimentos.
25. Tiempo de funcionamiento estimado: menos de 30 minutos.

CONSERVE ESTAS INSTRUCCIONES



CONOZCA SU OMEGA

CONOZCA SU OMEGA

INTERRUPTOR DE REINICIO

Este producto usa un interruptor de reinicio y desconector térmico para proteger el motor.

Si la unidad deja de funcionar durante la operación, presiona el interruptor de reinicio en la parte inferior de la unidad.

Si la unidad aún no funciona, desconéctala, espera 30 minutos e intenta de nuevo.



A Empujador

B Tolva

C Cilindro

D Tambor

E Manija

F Clip de seguridad

G Botón de encendido / apagado (On/Off) en la parte posterior

H Carcasa

I Tornillo sinfín (dentro del cilindro)

J Cono liso (dentro del cilindro)

K Colador para el jugo (dentro del cilindro)

L Tapa sencilla

M Tapa ajustable

N 4 boquillas para pasta

O 2 boquillas para palitos de pan

P Colador

Q Cepillo de limpieza

R Contenedor para la pulpa

S Contenedor para el jugo

T Tapa terminal para jugo de apio



ENSAMBLADO DE INICIO RÁPIDO

TU EXPRIMIDOR INCLUYE 2 TAPAS DE EXTREMO AJUSTABLES



**TAPA DE EXTREMO
PARA JUGO DE APIO**

Usa esta tapa
SOLO para apio

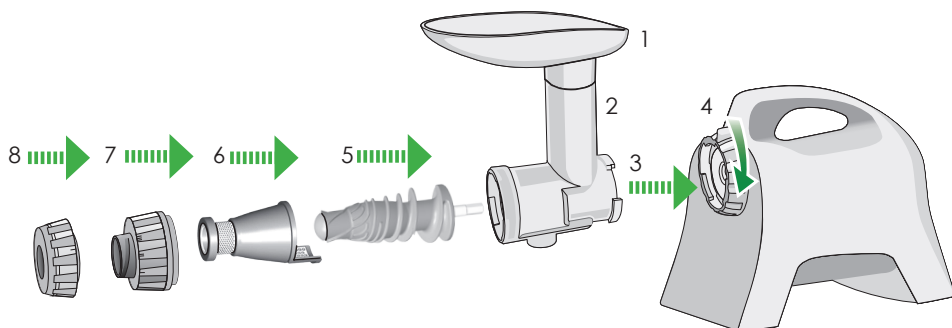


**TAPA DE EXTREMO
AJUSTABLE**

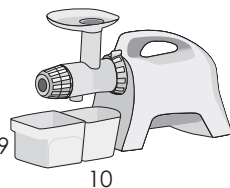
Usa esta tapa
para cualquier
otra fruta y
vegetales

ENSAMBLADO DE INICIO RÁPIDO

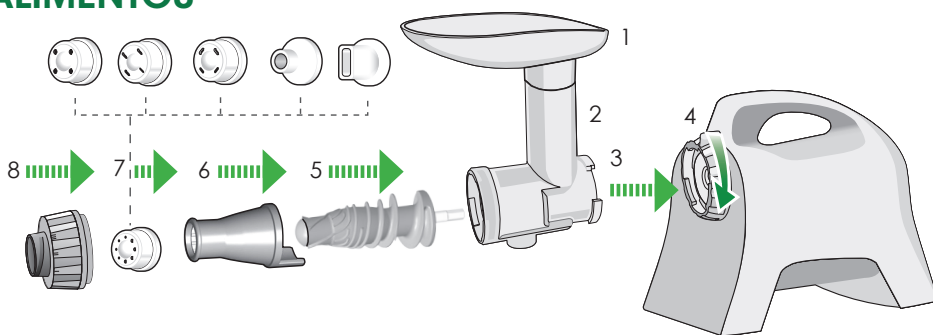
PARA EXTRAER JUGOS



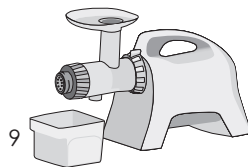
- 1 Tolva
- 2 Cilindro
- 3 Tambor
- 4 Clip de seguridad
- 5 Tornillo sinfín
- 6 Colador para el jugo
- 7 Tapa sencilla
- 8 Tapa ajustable
- 9 Contenedor para la pulpa
- 10 Contenedor para el jugo



PARA PROCESAR ALIMENTOS



- 1 Tolva
- 2 Cilindro
- 3 Tambor
- 4 Clip de seguridad
- 5 Tornillo sinfín
- 6 Cono liso
- 7 Opciones de boquillas
- 8 Tapa sencilla
- 9 Contenedor para la pulpa

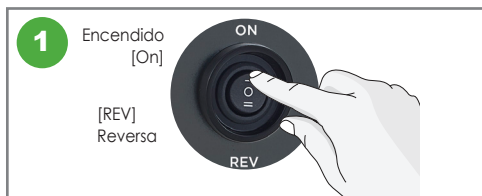




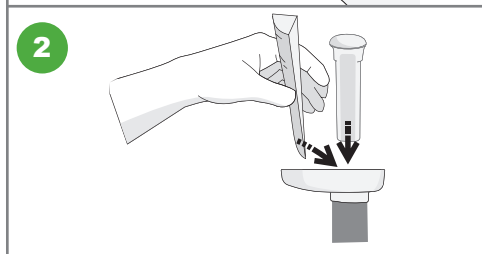
INSTRUCCIONES DE OPERACIÓN

INSTRUCCIONES DE OPERACIÓN

BOTÓN DE ENCENDIDO / APAGADO / REVERSA

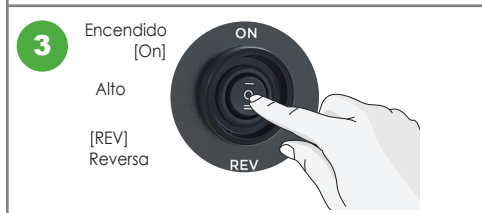


Oprima el botón de encendido (On) en la parte posterior de su sistema de nutrición Omega® para empezar.



Gradualmente, introduzca los alimentos en el tubo de alimentación y presione con el empujador.

No introduzca ningún objeto metálico en la tolva. Si el conjunto del cilindro se atasca o si la máquina deja de funcionar, presione el botón de reversa (REV) 2 o 3 veces y presione el botón de encendido (ON) de nuevo para continuar con la operación normal.



Después de terminar la extracción o el procesado, coloque el interruptor en la posición de alto (stop) para detener.

⚠ CUIDADO Al usar el botón [ON] o [Rev], asegúrese de que el tornillo sinfín se detenga completamente.



La tapa de extremo ajustable debe utilizarse para exprimir el jugo de cualquier fruta y vegetales que no sean apio.

Al exprimir productos agrícolas que sean más duros, gira la tapa de extremo ajustable en sentido contrario a las manecillas del reloj para ajustar el exprimido, aumentando la presión. Para productos agrícolas que sean más suaves, o con pulpa, gira la tapa de extremo ajustable en sentido de las manecillas del reloj para reducir la presión.



La tapa de extremo para jugo de apio debe usarse SOLO para exprimir apio.

NO debe usarse para exprimir ningún otro tipo de fruta o vegetal.

Incluye un anillo interno verde especial para facilitar el exprimido del apio.

Procura no perder este inserto y asegúrate de limpiarlo después de cada uso.

Gira la tapa de extremo en sentido contrario a las manecillas del reloj para ajustar el exprimido, aumentando la presión.

Gira la tapa de extremo en sentido de las manecillas del reloj para reducir la presión.



SISTEMA DE NUTRICIÓN MULTIPROPÓSITO

SISTEMA DE NUTRICIÓN MULTIPROPÓSITO

Este sistema de nutrición de uso rudo cuenta con un tornillo sin fin patentado, similar a una piedra de molino, hecho de higiénica Utem sin BPA. La baja velocidad de 80 RPM asegura un sabor completo y el mayor valor nutricional.

- **JUGO DE FRUTAS.** De forma eficiente extrae el jugo de frutas duras y suaves, incluso defrutadas cítricas.
- **JUGO DE VEGETALES.** Extrae el jugo de todo tipo de vegetales incluyendo zanahorias, betabel, apio, pimientos y rábanos sin destruir el sabor natural ni los beneficios nutricionales. Este proceso de extracción único garantiza el sabor fresco y la nutrición completa.
- **PASTO DE TRIGO Y VERDURAS DE HOJA.** Col rizada, repollo, espinacas y hojas de pino son solo algunos de los productos naturales de donde puede extraerse jugo. Disfrute de lo mejor que la naturaleza ofrece en los productos crudos y extraiga su jugo para obtener beneficios nutricionales completos.
- **APIO** El apio es la hierba más común con que puede hacerse jugo. Extrae líquido de tallos de apio naturales.

Así como puedes hacer jugos de frutas, vegetales, verduras y hierbas para sabrosas bebidas, puedes ocasionalmente (o siempre) hacer jugo de un solo tipo de fruta, vegetal o hierba para concentrar sus beneficios de mejora de la salud.

Al exprimir apio, mantén los tallos del apio lo más enteros posible. No cortes el apio en pedazos pequeños.

Mientras está en uso la tapa terminal para jugo de apio, no extraigas más de 16 oz de jugo de apio a la vez sin limpiar la tapa terminal. Si la pulpa seca detiene el flujo de jugo, afloja la tapa terminal para apio. Retira la tapa terminal y límpiala antes de continuar la extracción.

- **PROCESADOR DE ALIMENTOS.** Pica y corta, ofreciendo el sabor natural y la nutrición del ajo, cebollines, pimientos rojos, jengibre y la mayoría de los demás alimentos incluyendo hierbas y sazonadores. Los alimentos suaves para dietas especiales se preparan fácil y rápidamente con el aditamento homogeneizador.
- **MANTEQUILLAS DE NUECES.** Prepare mantequilla de almendras, crema de cacahuete, mantequilla de semillas de girasol y más, usando ingredientes completamente naturales.
- **LECHE DE SOYA Y DE NUECES.** Use almendras, nueces, nueces de la India, avellanas y cualquiera otro de sus nueces favoritas para preparar deliciosas leches. También puede preparar leche de coco.
- **PAPILLAS.** Prepare papillas caseras sabiendo que le está dando a su bebé frutas y verduras frescas, nutritivas y de fácil digestión.
- **PREPARACIÓN DE POSTRES.** Prepare postres totalmente naturales, libres de lactosa, sin gluten, bajos en grasas, bajos en azúcar y en calorías que saben igual que su helado o postre helado favorito.
- **EXTRUSOR DE PASTA.** Prepare en casa espagueti, linguini o palitos de pan que pueden ser extrudidos en minutos con las boquillas de pasta incluidas.



LIMPIEZA

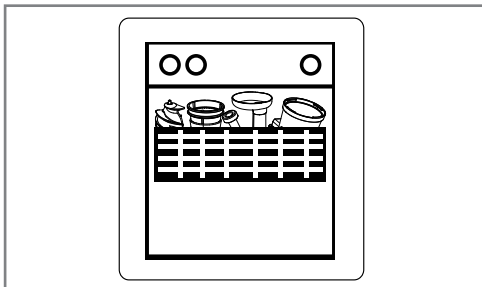
LIMPIEZA

LIMPIEZA DIARIA



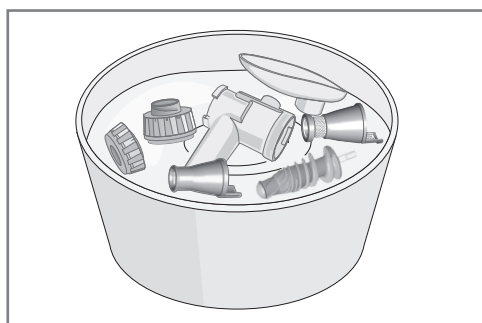
Es importante fregar siempre todos los lados y superficies de las piezas del extractor de jugos con agua tibia, jabón líquido para platos y un cepillo de fregar después de cada uso para eliminar los minerales y la suciedad.

SISTEMA DE LIMPIEZA FÁCIL



Cuando termines de extraer el jugo, las partes extraíbles se pueden lavar en la rejilla superior del lavavajillas.

LIMPIEZA PROFUNDA



Se debe realizar una limpieza profunda aproximadamente una vez al mes, o según sea necesario, según la frecuencia de uso. Para hacer una limpieza profunda, necesitarás un recipiente de un galón lleno de agua tibia y aproximadamente una taza de jabón líquido para lavavajillas, que es lo que se necesita específicamente para eliminar la acumulación de minerales.

Deja las piezas en remojo durante media hora, luego enjuaga bien y seca por completo.

Asegúrate de que el agua no pase más allá de los 140 °F (60 °C)



MEDIDAS DE PRECAUCIÓN PARA UN USO SEGURO

MEDIDAS DE PRECAUCIÓN PARA UN USO SEGURO

Todos los usuarios de este aparato deben leer y entender estas precauciones de seguridad antes de operarlo.

MUESTRAS DE SIGNOS



Este signo indica contenidos que pueden producir riesgo de incendio o de descarga eléctrica.

Una advertencia específica está escrita en el signo.



Esta señal indica actos no permitidos.

Prohibiciones específicas están escritas alrededor o en el signo.



Esta señal indica contenido de acciones de regulación o dirección.

Prohibiciones específicas están escritas alrededor o en el signo.

PRECAUCIONES

ADVERTENCIA Peligros de prácticas inseguras que podrían provocar lesiones personales menores o daños al aparato.



NO CONECTAR O DESCONECTAR CON LAS MANOS MOJADAS.

Puede provocar una descarga eléctrica o una lesión.



NO USAR CON UN VOLTAJE DIFERENTE AL ESPECIFICADO.

Puede provocar una descarga eléctrica, incendio o un desempeño anormal. Si el voltaje es diferente, puede reducir la vida del motor o provocar una falla.



ENCHUFE EL CABLE CORRECTAMENTE Y PRESÍONELO FIRMEMENTE EN EL TOMACORRIENTE DE PARED.

Puede provocar una descarga eléctrica o un incendio.



SI EL CABLE DE ALIMENTACIÓN ESTÁ DAÑADO, DEBE SER REMPLAZADO POR EL FABRICANTE, SUS REPRESENTANTES DE SERVICIO O PERSONAS DE IGUAL CALIFICACIÓN PARA EVITAR UN PELIGRO.

Si el cable de alimentación está dañado, puede provocar una descarga eléctrica o un incendio.



NUNCA ALTERE EL APARATO. TAMPOCO LO DESENSAMBLE O LO REPARE POR USTED MISMO. NO INSERTE LOS DEDOS, SUSTANCIAS EXTRAÑAS U OBJETOS COMO PASADORES EN LOS ORIFICIOS DE LA BASE.

Puede provocar un incendio, una descarga eléctrica o una falla. Para cualquier soporte técnico, contacte al Centro local de Atención al Cliente.

MEDIDAS DE PRECAUCIÓN PARA UN USO SEGURO



NO MOJE LA BASE NI SALPIQUE AGUA SOBRE LA BASE.

Tenga cuidado de no permitir que ningún líquido u otra sustancia entre al interruptor del aparato. **NO OPERE EL INTERRUPTOR CON LAS MANOS MOJADAS.** Puede provocar una descarga eléctrica o un incendio.



SI EL ENCHUFE O CABLE DE ALIMENTACIÓN ESTÉ ROTO O DAÑADO O SI EL ENCHUFE SE SUELTA, NO OPERE EL APARATO.

Puede provocar una descarga eléctrica, un incendio o una lesión.



POR SEGURIDAD, DEBE HABER UNA CONEXIÓN A TIERRA. NO HAGA LA CONEXIÓN A TIERRA EN TUBERÍA DE GAS, TUBO PLÁSTICO PARA EL AGUA, CABLE TELEFÓNICO, ETC.

Puede provocar una descarga eléctrica, un incendio, un mal funcionamiento o una explosión. Asegúrese de usar el tomacorriente con conexión a tierra.



NUNCA DESMONTE EL CONJUNTO DEL TAZÓN DURANTE LA OPERACIÓN NI INSERTE LOS DEDOS U OBJETOS EXTRAÑOS COMO TENEDORES, CUCHARAS, ETC. EN EL TUBO DE ALIMENTACIÓN O EN LA SALIDA DEL JUGO.

Puede provocar una lesión, un accidente o una falla.



ESTE APARATO NO DEBE SER USADO POR PERSONAS (INCLUYENDO NIÑOS) CON DISMINUCIÓN DE LA CAPACIDAD FÍSICA, SENSORIAL O MENTAL O SIN LA EXPERIENCIA Y CONOCIMIENTOS ACERCA DE CÓMO UTILIZAR EL APARATO, A MENOS QUE SE LES BRINDE SUPERVISIÓN O INSTRUCCIÓN ACERCA DEL USO DEL APARATO POR PARTE DE UNA PERSONA RESPONSABLE DE SU SEGURIDAD.

Los niños deben ser supervisados para asegurarse de que no jueguen con el aparato.



NO SE OPERE SIN ASEGURAR CORRECTAMENTE LA TOLVA.

Puede provocar una lesión o una falla.



AL DETECTARSE UNA FUGA DE GAS, NO ENCHUFE EL CABLE DE ALIMENTACIÓN EN LA RANURA DEL TOMACORRIENTE. ABRA LA VENTANA PARA VENTILAR TOTALMENTE Y DE FORMA INMEDIATA.

Puede provocar una lesión o una falla.



SI LA ROTACIÓN DEL TORNILLO SE DETIENE DURANTE LA OPERACIÓN NORMAL, PRESIONE EL BOTÓN [REVERSA/REV] Y SOSTÉNGALO DURANTE 2 A 3 SEGUNDOS Y LUEGO, CUANDO LA OPERACIÓN EN REVERSA SE DETENGA POR COMPLETO, PRESIONE EL BOTÓN [ON] DE NUEVO.

Si tal evento de paro continúa durante la operación, las partes pueden estar dañadas y el desempeño puede deteriorarse debido al sobrecalentamiento del motor. Si el problema continúa, detenga de inmediato el aparato y contacte al centro local de Atención al Cliente.



NUNCA INTRODUZCA UN DEDO, UN TENEDOR O UNA CUCHARA, ETC. EN LA SALIDA DEL JUGO.

Puede provocar una lesión o una falla.



DURANTE LA OPERACIÓN, NO INTENTE MOVER LA BASE NI DESMONTAR EL CONJUNTO DEL TAZÓN O PARTES NI TRATE DE ASEGURARLOS.

Puede provocar una lesión o una falla. En cualquier caso necesario, primero apague el interruptor y desconecte el enchufe de alimentación.



AL USAR EL APARATO, TENGA CUIDADO DE QUE CORBATAS, COLLARES LARGOS, BUFANDAS, ETC. NO SE ENREDEN EN EL TUBO DE ALIMENTACIÓN.

Puede provocar una lesión, una falla o una ruptura.



COLOQUE EL APARATO SOBRE UNA SUPERFICIE PLANA Y ESTABLE.

Puede provocar una lesión o una falla.



NO OPERE EL APARATO DURANTE MÁS DE 30 MINUTOS SEGUIDOS.

Puede provocar una falla del motor debido al sobrecalentamiento. Deje enfriar lo suficiente durante 5 minutos y haga funcionar de nuevo.



AL COLOCAR INGREDIENTES DENTRO DEL TUBO DE ALIMENTACIÓN, USE SOLAMENTE EL EMPUJADOR QUE SE INCLUYE.

Puede provocar una lesión o una falla.



NO PERMITA UN GOLPE SEVERO AL APARATO NI LO DEJE CAER.

Puede provocar una descarga eléctrica, un incendio o una lesión.



SI EL APARATO EMITE UN OLOR DESAGRADABLE O CALOR EXCESIVO O HUMO, DEJE DE USARLO INMEDIATAMENTE Y CONTACTE AL CENTRO DE ATENCIÓN

Al usar un aparato nuevo, este emite un olor que desaparece con el tiempo.



SIEMPRE DESCONECTE EL APARATO DESPUÉS DE SU USO. AL DESCONECTAR EL CABLE DE ALIMENTACIÓN, ASEGÚRESE DE SUJETAR EL ENCHUFE.

Si se sujeta el cable para desconectarlo, puede provocar una descarga eléctrica o un incendio.



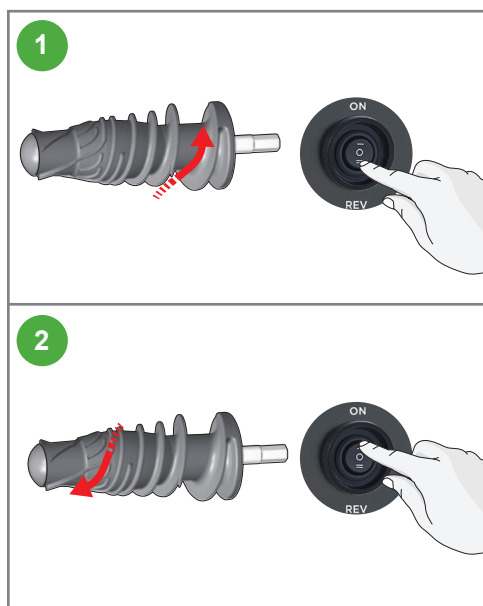
EL APARATO PESA ALREDEDOR DE 14.77 LB (6.7 KG). AL MOVER EL APARATO, ASEGÚRESE DE HACERLO SUJETANDO FÍRMEMENTE EL FONDO DE LA BASE CON AMBAS MANOS.

Si trata de sostenerlo por el tazón o el borde de la base, la base se puede caer provocando una lesión o una falla.



**SI EL TORNILLO SIN FÍN
DEJA DE FUNCIONAR**

SI EL TORNILLO SINFIN DEJA DE FUNCIONAR



Presione el botón de reversa [Rev] durante 3 a 5 segundos, después suelte. Al soltar el botón de reversa [Rev], el tornillo sinfín deja de girar. Repita esta operación 2 a 3 veces.

El botón [Rev] empuja los ingredientes hacia arriba, solucionando el atasco de alimentos.

Presione el botón de encendido [ON] para operar correctamente. Al usar el botón de encendido [ON] o de reversa [Rev] asegúrese de que el anillo sinfín se detenga por completo después de parar o soltar el botón.

Nota:

Si aún después de seguir las instrucciones anteriores, el extractor de jugos no funciona, por favor desconecte el enchufe, desensamble el conjunto de la cámara y límpielo. Después inténtelo de nuevo.



INSTRUCCIONES DE PREPARACIÓN

APIO

FRUTAS Y VEGETALES

PASTO DE TRIGO Y VERDURAS

PICAR Y CORTAR

MANTEQUILLAS DE NUECES

LECHE DE SOYA Y DE NUECES

POSTRES

PAPILLAS

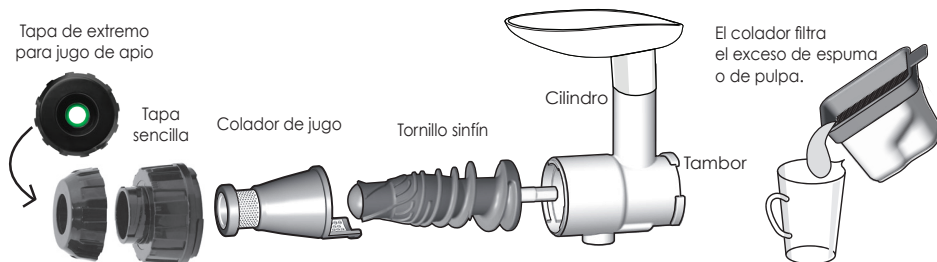
PASTA Y PALITOS DE PAN

INSTRUCCIONES DE PREPARACIÓN

APIO

Pantalla del exprimidor | Tapa de extremo para jugo de apio (con anillo interno verde)

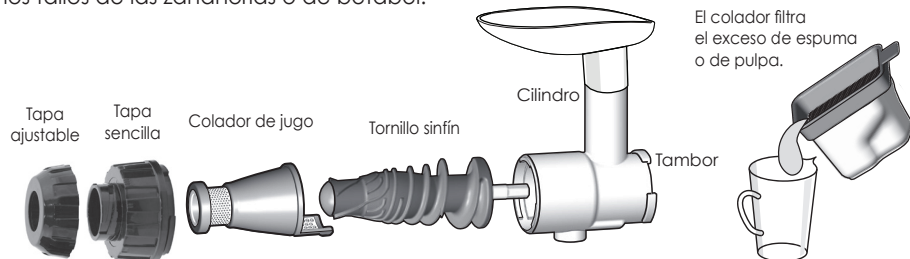
- Lava bien el apio para eliminar los productos químicos acumulados.
- Al exprimir apio, mantén los tallos del apio lo más enteros posible. No cortes el apio en pedazos pequeños.
- Parte del jugo pudiera salir al recipiente para pulpa y no al recipiente para jugo. Esto es normal. Esto puede seguir ocurriendo hasta que el área de expulsión esté llena de pulpa.
- Mientras está en uso la tapa terminal para jugo de apio, no extraigas más de 16 oz de jugo de apio a la vez sin limpiar la tapa terminal. Si la pulpa seca detiene el flujo de jugo, afloja la tapa terminal para apio. Retira la tapa terminal y límpiala antes de continuar la extracción.



FRUTAS Y VEGETALES

Colador del jugo | Tapa ajustable | No es necesaria ninguna boquilla

- Lave completamente los ingredientes frescos para eliminar productos químicos acumulados. El Sistema de Nutrición Omega® puede extraer jugo de frutas y vegetales sin pelar, pero de acuerdo a su gusto, puede preferir frutas y vegetales pelados.
- Las frutas y vegetales suaves pueden procesarse más fácilmente si han estado refrigeradas.
- Corte las frutas y los vegetales en trozos pequeños que quepan en el cilindro.
- Encienda la máquina (ON) y déjela funcionando sin interrupción hasta que todo el jugo hayasido extraído.
- Alterne artículos duros y suaves. Es mejor empezar con aquellos que son más suaves.
- Si la pulpa empieza a atascarse en el cilindro, apague la máquina (OFF) y vacíe el conjunto del cilindro. Ensamble de nuevo y continúe la operación normal.
- Después de colocar el último trozo de fruta o vegetal en el embudo, deje la máquina funcionando unos cuantos segundos hasta que se extraiga la última gota de jugo.
- Después de cada uso, limpie todas las partes que entren en contacto con los alimentos o el jugo.
- Puede extraer jugo de artículos que normalmente no se usan como alimentos, por ejemplo los tallos de las zanahorias o de betabel.

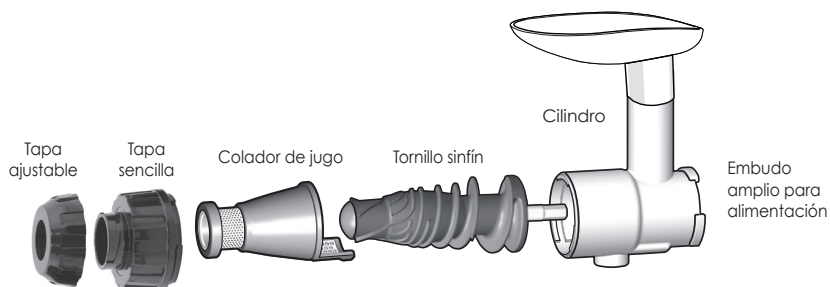


INSTRUCCIONES DE PREPARACIÓN

PASO DE TRIGO Y VERDURAS

Colador del jugo | Tapa ajustable | No es necesaria ninguna boquilla

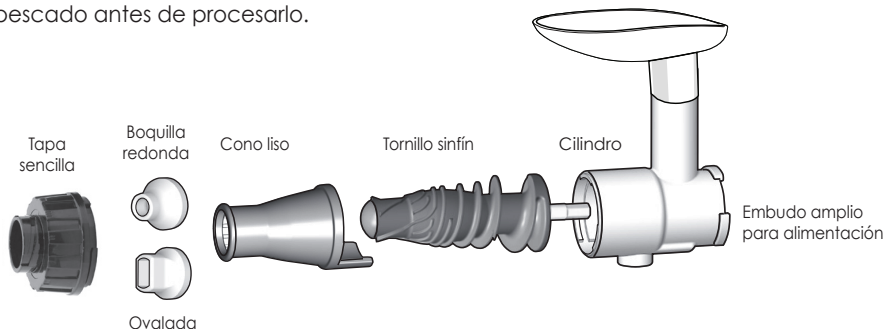
- Lave completamente los ingredientes frescos para eliminar productos químicos acumulados.
- No llene en exceso el tubo alimentador. Llene el extractor con pequeñas cantidades. Permita que la mayor parte del jugo salga antes de introducir el siguiente artículo.
- Algo del jugo puede salir hacia el tazón de la pulpa y no hacia el tazón del jugo. Esta situación es normal. Esto puede continuar ocurriendo hasta que el área de expulsión se llene de pulpa.
- Al extraer jugo de un artículo para incrementar el sabor, introduzca ese artículo durante la primera mitad del proceso de extracción. Si se introduce al final del proceso, es posible que el sabor completo no se perciba.
- Ciertas bebidas verdes pueden ser demasiado fuertes para algunas personas. Limón, manzana, jengibre, zanahorias y/o betabel pueden agregarse como un edulcorante natural para diluir el sabor del pasto de trigo y de las verduras de hoja.



PICAR Y CORTAR

Coln liso | Tapa sencilla | Boquilla redonda / ovalada

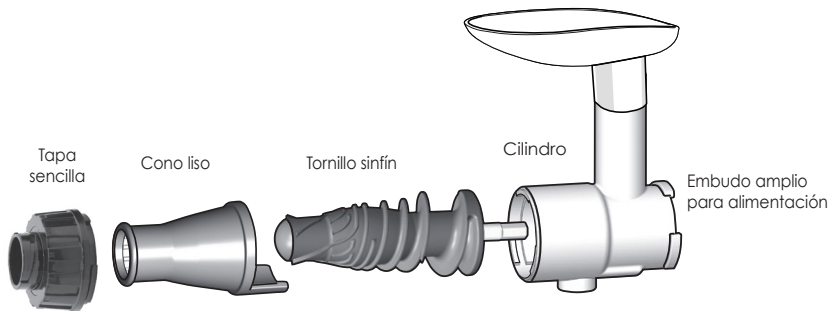
- Use como un procesador de alimentos para preparar marinadas, salsas y sopas.
- Pique o triture carne, pescado, hierbas, arroz y frijoles remojados. Retire cualquier grasa de la carne o de las aves si no la desea en el producto final. Quite los huesos y escamas del pescado antes de procesarlo.



MANTEQUILLAS DE NUECES

Coln liso | Tapa sencilla | No es necesaria ninguna boquilla

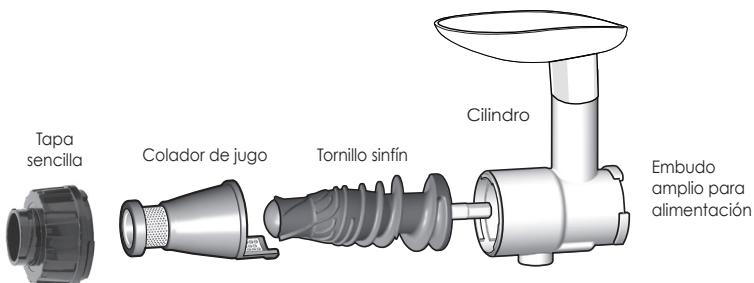
- Las mantequillas de nueces constituyen una versión natural de la crema de cacahuete, crema de almendras, mantequilla de semillas de girasol, etc.
- Retire toda la cáscara y piel de las nueces. Encienda la máquina (ON). Empezce a agregar las nueces.
- Procese las nueces en el sistema de nutrición por lo menos dos o tres veces hasta que la textura adquiera una consistencia suave.



LECHE DE SOYA Y DE NUECES

Colador del jugo | Tapa sencilla | No es necesaria ninguna boquilla

- Las leches de frutos secos se componen de almendras, nueces, anacardos, avellanas, etc. También puedes hacer leche de coco y leche de soya.
- Remoja los frutos secos durante 4-8 horas en agua.
- Escurre y enjuaga bien los frutos secos. Añade agua fresca a los frutos secos remojados. Recomendamos 3 tazas de agua por 1 taza de frutos secos. Añade más agua para obtener una consistencia más licuada y menos agua para obtener una consistencia más espesa.
- Enciende la máquina. Vierte los frutos secos remojados y un poco de agua fresca en el conducto. Opcional: Añade la pulpa al recipiente con el agua restante y viértela en el extractor de jugos por segunda vez para obtener más sabor y una textura más cremosa. Puedes detenerte después del segundo proceso o repetirlo por tercera vez.



POSTRES

Coln liso | Tapa sencilla | No es necesaria ninguna boquilla

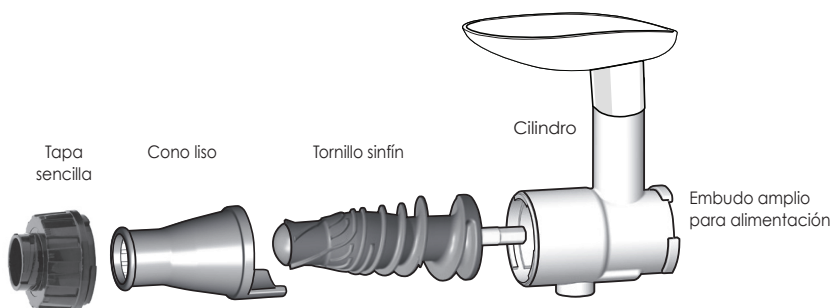
- Prepare postres dulces, congelados y completamente naturales sin grasa, azúcar ni calorías añadidos.
- Descongele la fruta congelada de 5 a 10 minutos. Encienda la máquina (ON). Procese la fruta descongelada en el sistema de nutrición y sirva.
- Los sorbetes de frutas congeladas incluyen plátano, cerezas, zarzamoras, moras azules, frambuesas, fresas, melón, kiwi, mango, pera, piña, durazno, uvas, naranjas, etc.
- También puede preparar limonada congelada y helados con ingredientes totalmente naturales. Para ver recetas, visite www.OmegaJuicers.com.

PAPILLAS

Coln liso | Tapa sencilla | No es necesaria ninguna boquilla

- Preparar papillas caseras para su bebé puede ser muy gratificante al saber que le está dando a su bebé frutas y verduras frescas nutritivas y de fácil digestión. Esto también ofrece a su bebé la oportunidad de experimentar una mayor cantidad de texturas y sabores sin conservadores artificiales ni aditivos.
- Empiece por cocer la fruta o vegetal. Puede hacerlo al vapor, al horno o hirviéndolo. Cocer al vapor mantiene la mayor cantidad de nutrientes.
- Para frutas: manzanas, peras, duraznos, ciruelas, mangos y fresas, haga un puré.
- Para vegetales: papas, zanahorias, camote, brócoli y calabaza, haga un puré.
- Encienda la máquina (ON). Coloque con una cuchara el vegetal / fruta cocido en el tubo alimentador con un poco del líquido de cocción. Agregar el líquido ayuda a conservar los nutrientes que pueden haber sido liberados al agua durante la cocción.

Las recetas anteriores se preparan usando los siguientes artículos:



PASTA Y PALITOS DE PAN

Coln liso | Tapa sencilla | Boquilla redonda, plana o para palitos de pan

- Esta máquina extrude la pasta, no hace la pasta. Prepare la masa a mano o utilizando una batidora.
- Espolvoree una pequeña cantidad de harina sobre la pasta, sobre la tolva del sistema de nutrición y dentro del cilindro para evitar que se pegue.
- Agregue agua a la masa si se pone demasiado seca.
- Para extrudir pasta:
Decida el estilo de pasta de su preferencia y coloque la boquilla adecuada en el cilindro

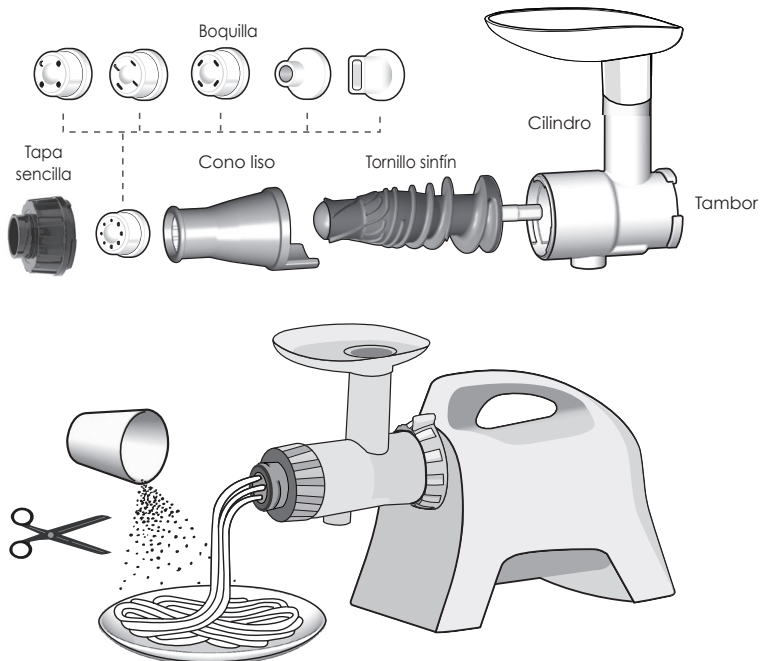
Forme la masa de la pasta en bolas o en tubos ligeramente menores que la abertura del tambor del sistema de nutrición

Encienda la máquina (ON). Procese la masa en el sistema de nutrición. Una alimentación constante de masa sin interrupción producirá tiras de pasta más largas a medida que la pasta va saliendo. La pasta puede cortarse con tijeras o con un cuchillo a la extensión deseada.

La pasta recién hecha debe ponerse en agua hirviendo. La pasta fresca se cocinará más rápidamente que la pasta de paquete.

Si desea que la pasta tenga mayor sabor, agregue espinacas, albahaca o tomates deshidratados. Los sobrantes de jugo de vegetales también pueden mezclarse en la masa para un mayor sabor.

Su opción de boquilla determinará el tamaño y la forma de la pasta.





RESOLUCIÓN DE PROBLEMAS

RESOLUCIÓN DE PROBLEMAS

Por favor resuelva los problemas usando las siguientes indicaciones antes de contactar a Servicio al Cliente de Omega para reparación o servicio. Al contactar a Omega para servicio post-venta, por favor tenga a la mano el número de serie del fabricante o el código de barras.

El aparato no funciona

- Asegúrese de que el cable de alimentación esté enchufado correctamente.
- Asegúrese de que la tolva esté ensamblada de forma correcta. Si la tolva no está asegurada en su lugar, el aparato no funcionará.
- Asegúrese de que el aparato esté ensamblado de acuerdo con las instrucciones de este manual. Consulte las instrucciones.
- Si el aparato aún no funciona, por favor contacte al Servicio al Cliente de Omega para ayuda adicional.

La tolva no se abre

- Si hay mucha pulpa dentro de la cámara, presione el botón [On] para liberar el exceso de pulpa.
- Verifique la presencia de cualquier sustancia extraña u objeto sólido, incluyendo semillas.
- Presione el botón [Rev] para empujar hacia arriba los ingredientes.
- No intente abrir a la fuerza. Si el aparato aún no funciona, por favor contacte al Servicio al Cliente de Omega para ayuda adicional.

El aparato se detiene durante la operación normal

- Verifique si hay trozos grandes de alimentos atascados en el aparato.
- Consulte en el manual la sección "Cuando el tornillo sinfín deja de funcionar" y siga las instrucciones respecto al botón [Rev].
- Si el aparato aún no funciona, por favor contacte al Servicio al Cliente de Omega para ayuda adicional.

Hay líneas finas o marcas de raspones alrededor del tornillo sinfín

- Esta situación es normal. No se preocupe. Estas son marcas del molde producidas por el proceso normal de fabricación.

El jugo se tira sobre la base

- Verifique si hay una cantidad excesiva de ingredientes en el tubo de alimentación de la tolva.
- Si intenta extraer jugo de una cantidad grande de alimento comparado con la salida de la pulpa, el empaque podría ser empujado hacia afuera ligeramente. El jugo podría tirarse fuera de esta apertura.
- No fuerce demasiada comida en el extractor. Empuje los alimentos de forma gradual para la extracción.
- Verifique y asegúrese de que la tapa del jugo esté cerrada.

El extractor se agita al estar en operación

- Esto es normal, a medida que el tornillo sinfín gira. No se trata de ningún malfuncionamiento. Los ingredientes duros como las zanahorias, papas, rábanos, betabel, etc. pueden provocar un movimiento mayor que los ingredientes suaves.
- Dependiendo de la firmeza de los ingredientes, podría haber un agitación más pronunciado del motor.
- El movimiento ligero puede ser provocado por el motor.



ESPECIFICACIONES DEL PRODUCTO

ESPECIFICACIONES DEL PRODUCTO

Nombre del producto	Extractor de jugos y centro de nutrición multiuso Omega® Cold Press 365®
Modelo	MM1500
Voltaje nominal	220-240 V
Frecuencia nominal	50/60 Hz
Consumo de energía nominal	200 W
RPM	80 RPM
Extensión del cordón	60 pulgadas (1500 mm)
Peso del producto	14,7 lb (6.7 kg)
Peso del envío	20,9 lb (9.5 kg)
Medidas exteriores	Ancho 6.1" (154 mm) Largo 18.5" (470 mm) Alto 12.3" (312 mm)
Tiempo de funcionamiento nominal	Menos de 30 minutos





RECETAS

Leche de almendras

Ingredientes:

2 tazas de almendras sin sal
6 tazas de agua destilada

PREP 12 horas PROCESO 4 minutos

Instrucciones de preparación:

- 1 Ponga las almendras en remojo la noche anterior en 3 tazas de agua.
- 2 Ponga las almendras en 3 tazas de agua fresca.
- 3 Usando el sistema de nutrición Omega®, coloque con una cuchara las almendras y el agua en el extractor. Si prefiere la leche más ligera, agregue más agua.
- 4 Puede endulzar la leche agregando 1 cda. de miel, néctar de agave, jarabe de caña o de maple. Puede preparar leche de almendra con vainilla agregando una cda. de extracto de vainilla o también prepare leche de almendra con chocolate agregando una cda. de cocoa en polvo sin endulzar.

Leche de soya

Ingredientes:

1 taza de granos de soya orgánica
6 tazas de agua
una pizca de sal
½ cda. de extracto de vainilla
1 cda. de agave u otro edulcorante
1 cda. canela

PREP 10 minutos PROCESO 35 minutos

Instrucciones de preparación:

- 1 Ponga la soya en remojo la noche anterior en 3 tazas de agua. Drene.
- 2 Ponga la soya en 3 tazas de agua fresca. Usando el sistema de nutrición Omega®, coloque con una cuchara la soya y el agua en el extractor. Si prefiere la leche más ligera, agregue más agua.
- 3 Transfiera la leche a una olla en la estufa. Ponga la leche a hervir. Reduzca el fuego y deje hervir a fuego lento durante 25 minutos. Elimine la espuma o capas gruesas que puedan formarse.
- 4 Retire del fuego y agregue sabor con la sal, extracto de vainilla, agave y canela. Mezcle y disfrute.

Crema de Cacahuete

Ingredientes:

2 tazas de cacahuates tostados sin cáscara y sin piel
1 cda. de aceite de semilla de uva
2 cda. de néctar de coco
1 cda. de sal nat

PREP 5 minutos PROCESO 10 minutos

Instrucciones de preparación:

- 1 En el sistema de nutrición Omega®, reemplace el cono para jugo por el cono liso y coloque su boquilla favorita.
- 2 Empiece a verter cacahuates por el tubo de alimentación. Procese 2 a 3 veces hasta que empiece a aparecer aceite.
- 3 Transfiera a un tazón y combine todos los ingredientes a mano, con una cuchara.
- 4 Vierta la mezcla de nuevo en el sistema de nutrición Omega®.

Masa Para Galletas Con Crema de Nueces

Ingredientes:

2 tazas de nueces de la India secas
6 cda. de néctar de coco
1 cda. de aceite de coco
2 cda. de vainilla en polvo
½ cda. de sal natural

PREP 5 minutos PROCESO 8 minutos

Instrucciones de preparación:

- 1 En el sistema de nutrición Omega®, reemplace el cono para jugo por el cono liso y coloque su boquilla favorita.
- 2 Empiece a verter nueces por el tubo de alimentación. Procese 2 a 3 veces hasta que empiece a aparecer aceite.
- 3 Transfiera a un tazón y combine todos los ingredientes a mano, con una cuchara. Vierta la mezcla de nuevo en el sistema de nutrición Omega®.

Pasta Casera

Ingredientes:

1 taza de harina
1 huevo batido
2 cda. de agua
½ cda. de sal

PREP 5 minutos PROCESO 5 minutos

Instrucciones de preparación:

- 1 En un tazón grande, combine el harina y la sal.
- 2 Haga un pozo en el centro de la mezcla de harina y sal, y agregue el huevo. Si la masa es demasiado rígida, agregue agua.
- 3 En el sistema de nutrición Omega®, remplace el cono para jugo por el cono liso y coloque su boquilla de pasta favorita.
- 4 Pase la masa por el tubo de alimentación y corte las tiras de pasta a la longitud deseada.

Pasta Sin Huevo

Ingredientes:

2 tazas de harina de semolina
½ cda. de sal
½ taza de agua tibia

PREP 5 minutos PROCESO 5 minutos

Instrucciones de preparación:

- 1 En un tazón grande, combine la harina y la sal. Agregue el agua (y un poco más si está demasiado seca).
- 2 En el sistema de nutrición Omega®, remplace el cono para jugo por el cono liso y coloque su boquilla de pasta favorita.
- 3 Pase la masa por el tubo de alimentación y corte las tiras de pasta a la longitud deseada.

Palitos de Pan

Ingredientes:

- 2 $\frac{1}{4}$ paquete de levadura seca activa
- 1 $\frac{1}{2}$ taza de agua tibia
- $\frac{1}{2}$ taza de leche tibia
- 2 cda. de azúcar
- 3 cda. de mantequilla, dividida y derretida
- $\frac{1}{2}$ cda. de sal kosher
- $\frac{1}{2}$ cda. de ajo molido
- $\frac{3}{4}$ cda. de sazónador italiano seco
- 4 $\frac{1}{2}$ - 5 $\frac{1}{2}$ tazas de harina
- $\frac{1}{4}$ taza de queso parmesano rallado

PREP 15 minutos

PROCESO 5 minutos

Instrucciones de preparación:

- 1 En un tazón grande, combine la levadura con el agua y déjela reposar hasta que se formen burbujas (de 7 a 10 minutos).
- 2 Agregue la leche, azúcar, mantequilla, sal kosher y 2 tazas de harina. Bata hasta que suavice. Agregue el queso parmesano y el resto de la harina hasta formar una masa suave.
- 3 En el sistema de nutrición Omega®, remplace el cono para jugo por el cono liso y coloque su boquilla de palitos de pan favorita. Pase la masa por el tubo de alimentación, procesando la masa de 7 a 8 veces.
- 4 Divida la masa en porciones iguales.

Salsa en un Vaso

Ingredientes:

- 2 tomates
- $\frac{1}{4}$ cebolla
- $\frac{1}{2}$ limón
- 1 chile jalapeño
- 5 ramitas de cilantro fresco

PREP 5 minutos

JUGO 5 minutos

Instrucciones de preparación:

- 1 Lave bien todos los ingredientes.
- 2 Pele el limón (opcional).
- 3 Coloque todos los ingredientes en su sistema de nutrición Omega® y extraiga el jugo.
- 4 Sirva y disfrute.

RECETAS

Papilla - Manzana

Ingredientes:

3 manzanas rojas medianas

PREP 15 minutos PROCESO 6 minutos

Instrucciones de preparación:

- 1 Cueza a vapor las 3 manzanas rojas, peladas y sin semillas.
- 2 En el sistema de nutrición Omega®, reemplace el cono para jugo por el cono liso y coloque su boquilla favorita.
- 3 Procese en el sistema de nutrición Omega®. Agregue una pizca de canela.

Rinde 1 taza.

Papilla - Camote

Ingredientes:

2 camotes

PREP 30 minutos PROCESO 5 minutos

Instrucciones de preparación:

- 1 Cocine a vapor los camotes durante 20 a 25 minutos.
- 2 Procese en el sistema de nutrición Omega®.
- 3 1 camote grande rinde alrededor de 1 taza.

RECETAS

Papilla - Zanahori

Ingredientes:

3 zanahorias grandes

PREP 30 minutos

PROCESO 5 minutos

Instrucciones de preparación:

- 1 Cuezca las zanahorias a vapor.
- 2 En el sistema de nutrición Omega®, reemplace el cono para jugo por el cono liso y coloque su boquilla favorita.
- 3 Procese en el sistema de nutrición Omega®.

Tres zanahorias grandes rinden alrededor de 1 taza.

Papilla - Chícharos

Ingredientes:

chícharos

PREP 3 minutos

PROCESO 6 minutos

Instrucciones de preparación:

- 1 Retire los chícharos de la vaina para preparar. No es necesario cocerlos a vapor, a menos que lo prefiera.
- 2 En el sistema de nutrición Omega®, reemplace el cono para jugo por el cono liso y coloque su boquilla favorita.
- 3 Procese en el sistema de nutrición Omega®. Es mejor para niños de 1 a 2 años de edad (los niños menores tienen problemas para digerirlos).

Impulso Limpio

Ingredientes:

½ betabel
 5 hojas de espinaca
 ¼ repollo
 1 ramo de brócoli
 ½ toronja
 ½ limón
 1 naranja
 1 kiwi
 2 trozos pequeños de jengibre

PREP 2 minutos JUGO 4 minutos

Instrucciones de preparación:

- 1 Corte todos los ingredientes a un tamaño que quepan en la tolva.
- 2 Extraiga el jugo en el sistema de nutrición Omega®.
- 3 Sirva sobre hielo.
- 4 ¡Disfrute!

Sueño Australiano

Ingredientes:

2 betabeles
 (remolacha australiana)
 2 zanahorias orgánicas
 1 taza de fresas orgánicas
 2 tazas de hojas de col rizada
 (6 a 8 hojas)
 (repollo rizado australiano)

PREP 3 minutos JUGO 6 minutos

Instrucciones de preparación:

- 1 Lave bien todos los ingredientes.
- 2 Corte a un tamaño adecuado para el extractor.
- 3 Extraiga el jugo en el sistema de nutrición O Omega®.
- 4 Sirva sobre hielo y disfrute.

Gloria Cítrica de la Mañana

Ingredientes:

2 toronjas (sin cáscara)
1 pimiento rojo dulce
2 peras
6 zanahorias

PREP 5 minutos JUGO 5 minutos

Instrucciones de preparación:

- 1 Lave bien todos los ingredientes.
- 2 Extraiga el jugo en un sistema de nutrición Omega® ¡y disfrute!

Tamaño de la porción: 16 - 18 oz.

Lleno de vitamina C y betacarotenos, así como vitaminas A y K e incluso cobre.

Jugo de Manzana y Kiwi

Ingredientes:

2 manzanas
3 kiwis

PREP 5 minutos JUGO 5 minutos

Instrucciones de preparación:

- 1 Lave las manzanas, quite el centro y corte en cuartos.
- 2 Pele los kiwis y corte en trozos pequeños.
- 3 Extraiga el jugo de los ingredientes en su sistema de nutrición Omega®.
- 4 Agite antes de servir.

Impulso Saludable Total

Ingredientes:

1 manzana mediana, sin el centro y cortada en cubos
2 peras suaves medianas, sin el centro y cortada en cubos
½ taza de cerezas frescas (sin huesos, y en caso de usar cerezas congeladas, deje descongelar)

PREP 5 minutos JUGO 5 minutos

Instrucciones de preparación:

- 1 En el sistema de nutrición Omega®, extraiga el jugo de la manzana, las peras y las cerezas.
- 2 Antes de servir, adorne con una cereza fresca, si desea.

Poder Verde

Ingredientes:

1 pepino 1
2 hojas verdes de berza
1 manojo de flores de coliflor
½ limón amarillo (sin la cáscara)

PREP 5 minutos JUGO 5 minutos

Instrucciones de preparación:

- 1 Lave todos los ingredientes.
- 2 Coloque todos los ingredientes en su sistema de nutrición Omega® y extraiga el jugo.
- 3 Sirva en su vaso y ¡disfrute!

Mañana Tropical

Ingredientes:

1 taza de duraznos picados
 1 taza de mango picado sin cáscara
 1 naranja recién exprimida
 ½ taza de agua de coco
 1 cucharada de néctar de agave

PREP 5 minutos JUGO 5 minutos

Instrucciones de preparación:

- 1 En el sistema de nutrición Omega®, extraiga el jugo de todos sus ingredientes hasta que quede suave y pase a través de un colador si lo desea.
- 2 Sirva frío y adorne con una rebanada de durazno.

Island Dreaming' Sorbete

Ingredientes:

½ taza de piña congelada en trozos
 ½ taza de plátano congelado
 1 taza de fresas congeladas
 ½ taza de mango congelado en trozos
 2 cda. de coco rallado

PREP 5 minutos PROCESO 5 minutos

Instrucciones de preparación:

- 1 Mezcle todos los ingredientes en un tazón. Descongele ligeramente antes de procesar en el sistema de nutrición Omega®.
- 2 Reemplace el cono para jugo por el cono liso y coloque su boquilla favorita.
- 3 Empiece a verter y empujar los ingredientes a través del tubo de alimentación. Sirva.

Limonada Congelada Sorbete

Ingredientes:

6 cda. de jugo de limón
3 cda. de miel natural
1 taza de agua

PREP 6 horas

PROCESO 5 minutos

Instrucciones de preparación:

- 1 Caliente el jugo de limón durante 10 a 20 segundos en un horno de microondas. Agite. Agregue agua y agite.
- 2 Congele la mezcla en charolas para cubos de hielo o molde de paleta.
- 3 En el sistema de nutrición Omega®, remplace el cono para jugo por el cono liso y coloque su boquilla favorita.
- 4 Descongele ligeramente los cubos de limón y páselos a través del tubo de alimentación del sistema de nutrición Omega®. Sirva.

Naranjada de Ensueño Sorbete

Ingredientes:

4 naranjas / mandarinas congeladas
sin cáscara
1 taza de yogurt de vainilla

PREP 5 minutos

PROCESO 5 minutos

Instrucciones de preparación:

- 1 Congele el yogurt y los gajos de la naranja pelada.
- 2 Descongele ligeramente antes de procesar en en sistema de nutrición Omega®.
- 3 Remplace el cono para jugo por el cono liso y coloque su boquilla favorita.
- 4 Empiece a verter y empujar los ingredientes a través del tubo de alimentación, alternando el yogurt y los gajos de naranja. Sirva.



NOURISH YOUR BODY
Enrich Your Soul

NOURRISSEZ VOTRE CORPS
Enrichissez Votre âme

NUTRA SU CUERPO
Enriquezca su alma

Discover the complete line of Omega brand professional products at:
Découvrez la gamme complète des produits professionnels de la marque Omega à:
Descubra la línea completa de productos profesionales de la marca Omega en:

www.OmegaJuicers.com

The Legacy Companies, Weston, FL 33331 U.S.A.

© 2021 Omega®